

# CA 2E

## Toolkit Reference Guide

Release 8.7



This Documentation, which includes embedded help systems and electronically distributed materials, (hereinafter referred to as the "Documentation") is for your informational purposes only and is subject to change or withdrawal by CA at any time.

This Documentation may not be copied, transferred, reproduced, disclosed, modified or duplicated, in whole or in part, without the prior written consent of CA. This Documentation is confidential and proprietary information of CA and may not be disclosed by you or used for any purpose other than as may be permitted in (i) a separate agreement between you and CA governing your use of the CA software to which the Documentation relates; or (ii) a separate confidentiality agreement between you and CA.

Notwithstanding the foregoing, if you are a licensed user of the software product(s) addressed in the Documentation, you may print or otherwise make available a reasonable number of copies of the Documentation for internal use by you and your employees in connection with that software, provided that all CA copyright notices and legends are affixed to each reproduced copy.

The right to print or otherwise make available copies of the Documentation is limited to the period during which the applicable license for such software remains in full force and effect. Should the license terminate for any reason, it is your responsibility to certify in writing to CA that all copies and partial copies of the Documentation have been returned to CA or destroyed.

TO THE EXTENT PERMITTED BY APPLICABLE LAW, CA PROVIDES THIS DOCUMENTATION "AS IS" WITHOUT WARRANTY OF ANY KIND, INCLUDING WITHOUT LIMITATION, ANY IMPLIED WARRANTIES OF MERCHANTABILITY, FITNESS FOR A PARTICULAR PURPOSE, OR NONINFRINGEMENT. IN NO EVENT WILL CA BE LIABLE TO YOU OR ANY THIRD PARTY FOR ANY LOSS OR DAMAGE, DIRECT OR INDIRECT, FROM THE USE OF THIS DOCUMENTATION, INCLUDING WITHOUT LIMITATION, LOST PROFITS, LOST INVESTMENT, BUSINESS INTERRUPTION, GOODWILL, OR LOST DATA, EVEN IF CA IS EXPRESSLY ADVISED IN ADVANCE OF THE POSSIBILITY OF SUCH LOSS OR DAMAGE.

The use of any software product referenced in the Documentation is governed by the applicable license agreement and such license agreement is not modified in any way by the terms of this notice.

The manufacturer of this Documentation is CA.

Provided with "Restricted Rights." Use, duplication or disclosure by the United States Government is subject to the restrictions set forth in FAR Sections 12.212, 52.227-14, and 52.227-19(c)(1) - (2) and DFARS Section 252.227-7014(b)(3), as applicable, or their successors.

Copyright © 2014 CA. All rights reserved. All trademarks, trade names, service marks, and logos referenced herein belong to their respective companies.

# Contact CA Technologies

## Contact CA Support

For your convenience, CA Technologies provides one site where you can access the information that you need for your Home Office, Small Business, and Enterprise CA Technologies products. At <http://ca.com/support>, you can access the following resources:

- Online and telephone contact information for technical assistance and customer services
- Information about user communities and forums
- Product and documentation downloads
- CA Support policies and guidelines
- Other helpful resources appropriate for your product

## Providing Feedback About Product Documentation

If you have comments or questions about CA Technologies product documentation, you can send a message to [techpubs@ca.com](mailto:techpubs@ca.com).

To provide feedback about CA Technologies product documentation, complete our short customer survey which is available on the CA Support website at <http://ca.com/docs>.



# Contents

---

## Chapter 1: Introduction 19

Documentation .....	19
Arrangement of this Manual .....	19
Related Publications.....	20
Documentation Presentation Standards.....	20
Calling CA 2E Commands.....	21
Data Object Commands .....	21
CA 2E Modules .....	21
CA 2E Object Names.....	22
Abbreviated Command Names .....	22

## Chapter 2: 2E Commands, YA to YDOCMSGREF 23

YADDDSNFM (Add Design File Member).....	23
Syntax Diagram .....	23
Parameters.....	24
YADDHLPTBL (Add Help Vector Table) .....	27
Syntax Diagram .....	28
Parameters.....	28
YADDLLE (Add Library List Entry).....	29
Syntax Diagram .....	30
Parameters.....	31
YADDMLE (Add Member List) .....	32
Syntax Diagram .....	32
Parameters.....	33
YADDOLE (Add Object List Entry) .....	33
Syntax Diagram .....	34
Parameters.....	34
YADDSRCM (Add Source Member) .....	35
Syntax Diagram .....	35
Parameters.....	36
YAPYY1DCHG (Apply Data Changes) .....	36
Syntax Diagram .....	36
Parameters.....	37
YBLDDBFLST (Build Database File List) .....	37
Syntax Diagram .....	38
Parameters.....	38

---

YBLDDOC (Build Master Document).....	39
Syntax Diagram .....	39
Parameters.....	39
YBLDFMTLST (Build Format List) .....	40
Syntax Diagram .....	41
Parameters.....	42
YBLDLIBLST (Build Library List) .....	42
Syntax Diagram .....	43
Parameters.....	44
YBLDMBRLST (Build Member List).....	46
Syntax Diagram .....	46
Parameters.....	48
YBLDOBJLST (Build Object List).....	49
Syntax Diagram .....	49
Parameters.....	50
YCHGCMD (Change Command).....	51
Syntax Diagram .....	52
Parameters.....	53
YCHGJOB DLL (Change Job Description Library List) .....	56
Syntax Diagram .....	56
Parameters.....	57
YCHGLIBL (Change Library List) .....	57
Syntax Diagram .....	57
Parameters.....	58
YCHGLIBLST (Change Library List Description) .....	58
Syntax Diagram .....	59
Parameters.....	60
YCHGLST (Change List) .....	61
Syntax Diagram .....	61
Parameters.....	62
YCHGPWD (Change Password) .....	65
Syntax Diagram .....	65
Parameters.....	65
YCHGOBJOWN (Change Object Ownership) .....	65
Syntax Diagram .....	66
Parameters.....	67
YCHGUSRPRF (Change User Profile).....	69
Syntax Diagram .....	70
Parameters.....	74
YCHKIFSOBJ (Check IFS Object) .....	84
Parameters.....	85
YCHKLIBLST (Check Library List) .....	87

---

Syntax Diagram .....	87
Parameters .....	87
YCHKLSTE (Check List Entries) .....	89
Syntax Diagram .....	90
Parameters .....	91
YCHKMNU (Check Menu) .....	96
Syntax Diagram .....	96
Parameters .....	96
YCHKPNL (Check Panel Design) .....	97
Syntax Diagram .....	97
Parameters .....	98
YCHKPWDVAL (Check New Password) .....	98
Syntax Diagram .....	99
Parameters .....	99
YCHKRPT (Check Report Design) .....	99
Syntax Diagram .....	99
Parameters .....	100
YCHKVN (Check System Name Is Valid) .....	101
Syntax Diagram .....	101
Parameters .....	101
YCMPSRC (Compare Source) .....	101
Syntax Diagram .....	102
Parameters .....	102
YCPYF (Copy Files) .....	107
Syntax Diagram .....	108
Parameters .....	109
YCPYLIBLST (Copy Library List) .....	111
Syntax Diagram .....	111
Parameters .....	111
YCPYLST (Copy List) .....	112
Syntax Diagram .....	112
Parameters .....	113
YCPYMNU (Copy Menu) .....	113
Syntax Diagram .....	114
Parameters .....	115
YCPYMSGD (Copy Message Description) .....	116
Syntax Diagram .....	116
Parameters .....	117
YCPYPNL (Copy Panel Design) .....	118
Syntax Diagram .....	118
Parameters .....	119
YCPYRPT (Copy Report Design) .....	120

---

Syntax Diagram .....	120
Parameters .....	121
YCPYUSRPRF (Copy User Profile) .....	122
Syntax Diagram .....	122
Parameters .....	123
YCRTDSNF (Create Design File) .....	124
Syntax Diagram .....	124
Parameters .....	124
YCRTDUPOBJ (Create Duplicate Objects) .....	125
Syntax Diagram .....	126
Parameters .....	126
YCRTOBJ (Create Objects) .....	129
Syntax Diagram .....	130
Parameters .....	132
YCRTPNLDDS (Create DDS From Panel Design) .....	140
Syntax Diagram .....	141
Parameters .....	142
YCRTRPTDDS (Create DDS From Report Design) .....	143
Syntax Diagram .....	144
Parameters .....	144
YCRTSRCPF (Create Source Files) .....	146
Syntax Diagram .....	146
Parameters .....	146
YCRTUSRPRF (Create User Profile) .....	148
Syntax Diagram .....	149
Parameters .....	151
YCVTAUTL (Convert Authorization List) .....	163
Syntax Diagram .....	164
Parameters .....	164
YCVTBIN (Convert Binary To Decimal) .....	165
Syntax Diagram .....	165
Parameters .....	165
YCVTDBFLST (Convert DBF List To Member List) .....	165
Syntax Diagram .....	166
Parameters .....	166
YCVTDBR (Convert Database Relations) .....	167
Syntax Diagram .....	167
Parameters .....	167
YCVTDDSKY (Convert DDS Command Keys) .....	168
Syntax Diagram .....	169
Parameters .....	169
YCVTDDSIGC (Convert DDS To IGC) .....	171



---

Syntax Diagram .....	172
Parameters .....	172
YCVTDEC (Convert Decimal To Binary) .....	173
Syntax Diagram .....	173
Parameters .....	173
YCVTOBJLST (Convert Object List to Member List) .....	173
Syntax Diagram .....	174
Parameters .....	174
YCVTPGMREF (Convert Program References) .....	174
Syntax Diagram .....	175
Parameters .....	175
YCVTPRT (Convert Print Output To Source Member) .....	178
Syntax Diagram .....	178
Parameters .....	179
YCVTSPLF (Convert Spooled File) .....	180
Parameters .....	180
Notes .....	189
Examples .....	189
YCVTUSRPRF (Convert User Profile) .....	189
Syntax Diagram .....	190
Parameters .....	190
YDFNPNLDSN (Define Panel Design) .....	191
Syntax Diagram .....	191
Parameters .....	191
YDLTLIBLST (Delete Library List) .....	192
Syntax Diagram .....	192
Parameters .....	192
YDLTLST (Delete Library List) .....	192
Syntax Diagram .....	193
Parameters .....	193
YDLTMNU (Delete Menu) .....	193
Syntax Diagram .....	194
Parameters .....	194
YDLTOBJ (Delete Object) .....	194
Syntax Diagram .....	195
Parameters .....	195
YDLTPNL (Delete Panel Design) .....	196
Syntax Diagram .....	196
Parameters .....	196
YDLTRPT (Delete Report Design) .....	197
Syntax Parameters .....	197
Parameters .....	197

---

---

YDLTUSRPRF (Delete User Profile) .....	197
Syntax Diagram .....	198
Parameters .....	198
YDOCAUT (Document Object Authorities) .....	199
Syntax Diagram .....	199
Parameters .....	199
YDOCDBFLST (Document DBF List) .....	200
Syntax Diagram .....	201
Parameters .....	201
YDOCEXCREF (Document Execution References) .....	201
Syntax Diagram .....	202
Parameters .....	203
YDOCF (Document File) .....	204
Syntax Diagram .....	205
Parameters .....	206
YDOCFLDREF (Document Field References) .....	207
Syntax Diagram .....	207
Parameters .....	208
YDOCFMTLST (Document Format List) .....	208
Syntax Diagram .....	208
Parameters .....	209
YDOCLIBLST (Document Library) .....	209
Syntax Diagram .....	209
Parameters .....	210
YDOCMBRLST (Document Member List) .....	210
Syntax Diagram .....	211
Parameters .....	211
YDOCMNU (Document Menu) .....	211
Syntax Diagram .....	212
Parameters .....	212
YDOCMNUREF (Document Menu References) .....	213
Syntax Diagram .....	213
Parameters .....	214
Syntax Diagram .....	215
Parameters .....	216

### **Chapter 3: CA 2E Commands, YD to YW 219**

YDOCOBJLST (Document Object List) .....	219
Syntax Diagram .....	219
Parameters .....	219
YDOCPGM (Document Program command) .....	221

---

Syntax Diagram .....	222
Parameters .....	222
YDOCPGMREF (Document Program References) .....	223
Syntax Diagram .....	224
Parameters .....	224
YDOCPNL (Document Panel Design) .....	226
Syntax Diagram .....	227
Parameters .....	227
YDOCRPT (Document Report Design).....	229
Syntax Diagram .....	229
Parameters .....	229
YDOCSRC (Document Source File Members) .....	231
Syntax Diagram .....	231
Parameters .....	231
YDOCUSRPRF (Document User Profile) .....	234
Syntax Diagram .....	234
Parameters .....	235
YDSPABR (Display Abbreviated) .....	235
Syntax Diagram .....	235
Parameters .....	236
YDSPEXPDAT (Display Expiry Date) .....	241
Syntax Diagram .....	241
Parameters .....	241
YDSPHLP (Display Help Text) .....	241
Syntax Diagram .....	242
Parameters .....	242
YDSPLIBLST (Display Library List).....	244
Syntax Diagram .....	244
Parameters .....	244
YDSPMBRLST (Display Member) .....	245
Syntax Diagram .....	245
Parameters .....	245
YDSPPGMQ (Display a Program's Message Queue) .....	247
Syntax Diagram .....	247
Parameters .....	247
YDSPPNL (Display Panel Design).....	247
Syntax Diagram .....	248
Parameters .....	248
YDSPUSRPRF (Display User Profile) .....	249
Syntax Diagram .....	249
Parameters .....	249
YEDTCKYTBL (Edit Command Key Table) .....	249

---

---

Syntax Diagram .....	249
Parameters .....	249
YEDTDBFLST (Edit DBF List) .....	250
Syntax Diagram .....	250
Parameters .....	250
YEDTDSSNDFT (Design Default Data Areas) .....	250
Syntax Diagram .....	251
Parameters .....	251
YEDTDTAARA (Edit Data Area Contents) .....	251
Syntax Diagram .....	251
Parameters .....	252
YEDTFMTLST (Edit Format List) .....	252
Syntax Diagram .....	253
Parameters .....	253
YEDTGDA (Edit Group Data Area) .....	253
Syntax Diagram .....	253
Parameters .....	253
YEDTLDA (Edit Local Data Area) .....	254
Syntax Diagram .....	254
Parameters .....	254
YEDTLIBLST (Edit Library List) .....	254
Syntax Diagram .....	254
Parameters .....	255
YEDTMBRLST (Edit Member List) .....	255
Syntax Diagram .....	255
Parameters .....	255
YEDTMSGD (Edit Message Description) .....	256
Syntax Diagrams .....	256
Parameters .....	256
YEDTOBJLST (Edit Object List) .....	256
Syntax Diagram .....	257
Parameters .....	257
YEDTPWDVAL (Edit Password Values) .....	257
Syntax Diagram .....	258
Parameters .....	258
YENDSPLRTR (End Spooled File Router) .....	258
Parameters .....	259
YEXCCL (Execute CL Member) .....	259
Syntax Diagram .....	260
Parameters .....	260
YEXCDBFLST (Execute Database File List) .....	260
Syntax Diagram .....	261

---

Parameters.....	261
YEXCFTP (File Transfer Protocol).....	263
Syntax Diagram .....	263
Parameters.....	263
YEXCMBRLST (Execute Member List) .....	266
Syntax Diagram .....	267
Parameters.....	268
YEXCOBJLST (Execute Object List) .....	271
Syntax Diagram .....	272
Parameters.....	273
YFLTDBFLST (Filter Database List) .....	275
Syntax Diagram .....	276
Parameters.....	276
YFLTFMTLST (Filter Format List) .....	280
Syntax Diagram .....	280
Parameters.....	281
YFLTMBRLST (Filter Member List) .....	283
Syntax Diagram .....	284
Parameters.....	286
YFLTOBJLST (Filter Object List) .....	290
Syntax Diagram .....	291
Parameters.....	293
YGO (Go to Menu).....	300
Syntax Diagram .....	301
Parameters.....	302
YGRTPRDAUT (Grant Product Authority) .....	304
Syntax Diagram .....	304
Parameters.....	304
YINXLST (Index List) .....	305
Syntax Diagram .....	305
Parameters.....	305
YMOVLST (Move List) .....	306
Syntax Diagram .....	306
Parameters.....	307
YMOVVM (Move Member).....	307
Syntax Diagram .....	308
Parameters.....	309
YMOV OBJ (Move Objects).....	311
Syntax Diagram .....	312
Parameters.....	313
YMOV OBJ SRC (Move Objects & Source) .....	315
Syntax Diagram .....	316

---

Parameters.....	318
YMVY1DTA (Move User Data Objects).....	321
Syntax Diagram .....	321
Parameters.....	322
YOPRLST (Operate on List) .....	322
Syntax Diagram .....	323
Parameters.....	323
YRMVLE (Remove Library List Entry) .....	325
Syntax Diagram .....	325
Parameters.....	326
YRMVM (Remove Member) .....	327
Syntax Diagram .....	327
Parameters.....	328
YRNMLIB (Rename Library) .....	328
Syntax Diagram .....	328
Parameters.....	329
YRNMLIBLST (Rename Library List) .....	329
Syntax Diagram .....	329
Parameters.....	330
YRNMLLE (Rename Library List Entry).....	330
Syntax Diagram .....	330
Parameters.....	330
YRNMMNU (Rename Menu) .....	331
Syntax Diagram .....	331
Parameters.....	332
YRNMOBJSRC (Rename an Object and Source) .....	332
Syntax Diagram .....	332
Parameters.....	333
YRNMPNL (Rename Panel Design) .....	333
Syntax Diagram .....	334
Parameters.....	334
YRNMRPT (Rename Report Design) .....	334
Syntax Diagram .....	335
Parameters.....	335
YRNMUSRPRF (Rename User Profile).....	335
Syntax Diagram .....	336
Parameters.....	336
YRSTSPLRTR (Restart Spooled File Router).....	337
Syntax Diagram .....	337
Parameters.....	337
YRTVMSGF (Retrieve Message File) .....	338
Syntax Diagram .....	339

---

Parameters.....	339
YRTVOBJLIB (Retrieve Object Library) .....	341
Syntax Diagram .....	341
Parameters.....	342
YRTVPLDSN (Retrieve Panel Design).....	342
Syntax Diagram .....	343
Parameters.....	343
YRTVRPTDSN (Retrieve Report Design).....	344
Syntax Diagram .....	344
Parameters.....	345
YRTVSPLFA (Retrieve Spooled File Attributes) .....	345
Parameters.....	346
YRTVUSRPF (Retrieve User Profile) .....	346
Syntax Diagram .....	347
Parameters.....	347
YRUNSQL (Start Interactive SQL Session) .....	350
Parameters.....	350
YSCNRPLSRC (Scan/Replace Source Member) .....	355
Syntax Diagram .....	356
Parameters.....	356
YSCNSRC (Scan Source Member) .....	359
Syntax Diagram .....	360
Parameters.....	362
YSETBRKPGM (Set Break Program) .....	367
Syntax Diagram .....	367
Parameters.....	367
YSTRCVTPRT (Start Convert Print Key Output Mode) .....	367
Syntax Diagram .....	368
Parameters.....	368
YSTRDBG (Start Debug and Add Auto Breakpoints).....	368
Syntax Diagram .....	369
Parameters.....	369
YSTRSPLRTR (Start spooled file router) .....	370
Parameters.....	371
YTDYRPFSCR (Tidy RPG III Source).....	374
Syntax Diagram .....	374
Parameters.....	375
YTRNPF (Translate Physical File Data) .....	375
Syntax Diagram .....	376
Parameters.....	376
YTRNSRCF (Translate Source File Data).....	377
Syntax Diagram .....	378

---

---

Parameters.....	378
YWRKF (Work with Database File Data) .....	380
Syntax Diagram .....	380
Parameters.....	381
YWRKLIBLST (Work with Library List) .....	385
Syntax Diagram .....	385
Parameters.....	385
YWRKMNU (Work with Menus) .....	385
Syntax Diagram .....	386
Parameters.....	386
YWRKPNL (Work with Panel Design) .....	387
Syntax Diagram .....	387
Parameters.....	387
YWRKRPT (Work with Report Design) .....	387
Syntax Diagram .....	388
Parameters.....	388
YWRKSPLRTE (Work with Spooled File Routing Entries) .....	388
YWRUSRPF (Work with User Profile) .....	389
Syntax Diagram .....	389
Parameters.....	389

## **Appendix A: Expanded Parameter Definitions 391**

LST and LSTTYPE Parameters .....	391
OBJLST, MBRLST, FMTLST and DBFLST Parameters .....	392
Default List Names .....	392
Work Lists.....	392
SELECT Value for a List Name.....	393
LSTOPT Parameter.....	394
OUTLST Parameter .....	394
FLAGVAL, OUTFLAGVAL, and UPDLST Parameters.....	395
OUTFLAGVAL Parameter .....	396
UPDLST Parameter .....	396
BUILD and EDIT Parameters .....	397
RQSDTA, USROPT, OPTFIL and OPTMBR Parameters.....	398
User Option QAUOOPT File.....	398
Substitution Symbols.....	398
Internationalization of Special Substitution Symbols .....	399
MENU Parameter .....	400
Referring to Menus .....	400
PANEL Parameter .....	400
Referring to Panel Designs .....	401



---

REPORT Parameter .....	401
Referring to Report Designs .....	401
CHGPRTDFT Parameter .....	402

## **Appendix B: Required Application Objects** **403**

Obtain Required Object Lists.....	403
-----------------------------------	-----

## **Appendix C: Long Running Commands** **405**

## **Appendix D: Monitored Error Messages** **407**

Commands Using a Database File List .....	407
Commands Using a Member List .....	407
Commands Using an CA 2E Object List.....	408
YADDDSNFM .....	408
YBLDLIBLST .....	408
YWRKF .....	408
YCHGOBJOWN.....	408
YCHKLSTE.....	409
YCHKLIBLST (And All CA 2E Library List Commands) .....	409
YCHKMNU (And All CA 2E Menu Commands) .....	409
YCHKPNL (And All CA 2E Panel Design Commands) .....	409
YCHKRPT (And All CA 2E Report Design Commands) .....	410
YCPYLIBLST .....	410
YCPYF.....	410
YCRTDSNF.....	410
YCRTDUPOBJ .....	411
YCRTOBJ .....	411
YDLTOBJ.....	411
YEXCDBFLST .....	411
YEXCMBRLST .....	411
YEXCOBJLST .....	412
YMOVOBJ .....	412
YMOVM .....	412
YxxxLLE .....	413

## **Appendix E: Command and Keyword Abbreviations** **415**

## **Index** **417**



# Chapter 1: Introduction

---

CA 2E Toolkit is an integrated package of software utilities for the IBM i. This chapter describes the arrangement of this manual and the documentation presentation standards. Related publications are also listed.

## Documentation

The documentation for the CA 2E Toolkit utilities are divided into two manuals:

- *Concepts Guide*, giving a conceptual overview of the utilities, and how they link together.
- *Reference Guide*, containing detailed explanations of each of the CA 2E commands that run the utilities.

This manual is the *Toolkit Reference Guide*. We recommend that you read the *Concepts Guide* before referring to the reference guide.

Additional documentation is available in the form of *Online Help Text*. All of the interactive CA 2E Toolkit utility programs have operating instructions, which display by selecting Help while using the programs.

## Arrangement of this Manual

Each CA 2E Toolkit command is documented separately. The manual is arranged in alphabetical order by command names.

There are technical appendices at the end of the manual, giving information that is common to all or many of the commands, as well as information that may be useful if you wish to make use of the commands in your own programs.

## Related Publications

- CA 2E Concepts Guide
- *CA Standards Guide*
- *IBM i Programming: Control Language Programmer's Guide*
- *IBM i Programming: Control Language Reference*
  - Volume 1
  - Volume 2
  - Volume 3
  - Volume 4
  - Volume 5
- *IBM i Programming: Data Description Specifications*
- *IBM i Text Management/38 User's Guide and Reference Manual*

## Documentation Presentation Standards

IBM has developed a documentation convention for the IBM i Control Language (CL) that, once learned, is both concise and precise. Central to the convention is a special notation for explaining i OS commands - the Command Syntax Diagram.

All of the CA 2E Toolkit utilities are accessible via CL commands, and each command is documented strictly according to the i OS convention. For each command there are:

- Definition the function command
- Description of each parameter in the command
- Notes on any restrictions or extra considerations
- An example or examples of using the command

Some parameters, common to several commands, are described centrally in the Appendix "Expanded Parameter Definitions."

For those experienced with CA 2E, the command syntax diagrams and their parameters can be the most useful. For those are not familiar with command diagrams, refer to the *IBM i Control Language Reference Manual Volume 1, Chapter 2*, for a detailed description of the CL command syntax conventions.

Wherever possible, existing i OS parameter keywords and definitions have been used. This manual can be regarded as an extension of the i OS manual. Appendix E contains a list of all the CA 2E abbreviations and keywords that are additional to the i OS canon.

## Calling CA 2E Commands

CA 2E Toolkit commands can either be entered from any program or IBM display that allows the entry of commands, or via the CA 2E Help menus, which can be displayed using the CA 2E Toolkit command Go To Menu YGO:

```
YGO MENU (*Y1)
```

All CA 2E Toolkit commands have the CA 2E Toolkit utility product library (NOCHG) as attribute Product Library. Use the i OS command Add Library List Entry (ADDLIBLE) to add the CA 2E Toolkit library to your library list as follows:

```
ADDLIBLE LIB (Y1SY) POSITION (*LAST)
```

Alternatively, the product library can be added permanently to the library list using the i OS command Change System Value (CHGSYSVAL).

## Data Object Commands

When running commands that use CA 2E Toolkit data objects, ensure that the data objects reside in the library list. Data objects can be created with the command Create Data Objects (YCRTIDTA).

## CA 2E Modules

The utilities are divided into four modules:

- \*ACS: User access aids
- \*DSN: Design aids
- \*PGMR: Programmer aids
- \*DOC: Documentation aids

The utilities for all four of the CA 2E Toolkit modules are shipped, regardless of which module(s) purchased. Only the utilities in the modules purchased are authorized for use. Adding additional modules can be supplied on request.

Each CA 2E Toolkit command syntax diagram includes an indication of which module the command belongs to.

## CA 2E Object Names

The names of all CA 2E Toolkit objects begin with the letter **Y** and reside in library Y1SY, the CA 2E Toolkit utility library.

All execution message definitions are contained in a message file called YYYMSG. The message file resides in the CA 2E Toolkit product library, except for the help and menu utilities. Help and menu utilities can be run independently (see CA 2E *YDUPAPPOBJ* command).

## Abbreviated Command Names

Frequently used commands are available in an abbreviated form. These abbreviations are listed below, but abbreviations can be added. Abbreviated commands are the only CA 2E Toolkit objects that do not have names beginning with the letter Y.

<b>Command</b>	<b>Abbreviated Form</b>
YCHGLIBL	R
YCHGJOB DLL	RJ
YDSPABR	D
YEDTLIBLST	L
YGO	M
YSETBRKPGM	B

# Chapter 2: 2E Commands, YA to YDOCMGREF

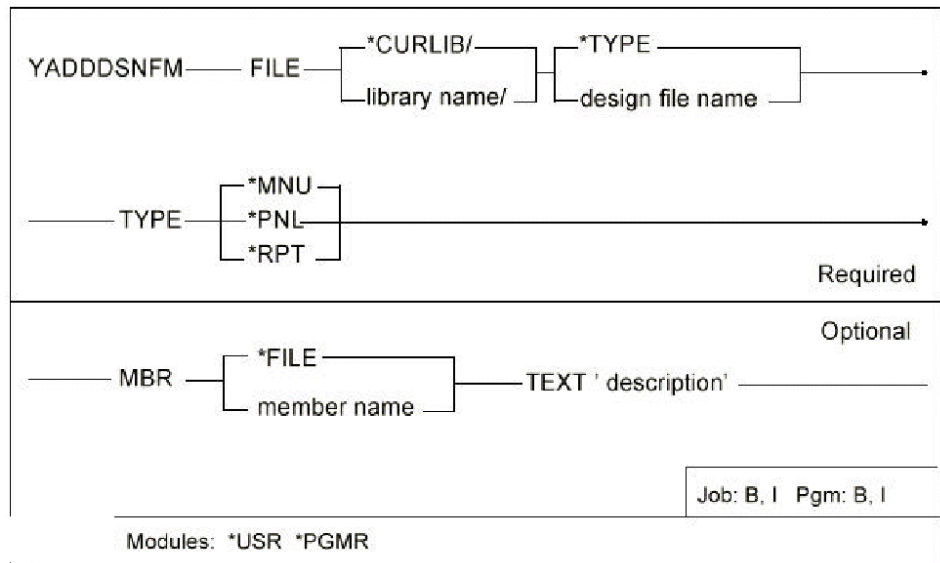
---

This chapter lists the various commands available with CA2E from YADDDSNFM to YDOCMGREF.

## YADDDSNFM (Add Design File Member)

This command adds a member to a design file with the correct format and any required dependent logical views.

### Syntax Diagram



## Parameters

Parameter	Definition	Value and Description
FILE	Qualified name of file where members are added. If specified, the name must not exceed nine characters.	TYPE: use default file name for type; if type is: *MNU: YDSNMNU *PNL: YDSNPNL *RPT: YDSNRPT, a library must be specified
TYPE	CA2E design file created	*MNU: menu file *PNL: panel design file *RPT: report design file
MBR	Name of member in file	*FILE: (default) member name is the same as file name
TEXT	Descriptive text for member	

## Notes

None

## Example

To add a new panel design member NEWMBR to panel file YDSNPNL in library CECIL:

```
YADDDSNFM FILE(CECIL/YDSNPNL) TYPE(*PNL)
MBR(NEWMBR) TEXT('New member')
```



## Example

The following example shows some panel DDS and the vector tables generated from the YADDHLPTBL command.

DDS Display file source appears as follows:

```

A          R HEADER                                TEXT('Header')
*  YDFNPNLDSN PANEL(ONE) FORMAT(HEADER SFLCTL SFL)
A          FIELD1                                10A B 4 5
A N58     FIELD2                                5A 0 4 22
A          FIELD3                                5S 2H
A 58     FIELD4                                5A I 4 23
=====
A          R SFL
A          SFL1                                4A B 6 20
A          SFL2                                1A B 6 30
=====
A          R SFLCTL                                SFLCTL(SFL)
A          SFLIN(5)
A          SFLPAG(20) SFLSIZ(21)
A 25     SFLDSP SFLDSPCTL
A N25    SFLINZ
A          CTL1                                9A 0 5 20

```

The Vector table (output of YADDHLPTBL) appears as follows:

```

* *****
* Vector table for UDEU/QDDSSRC member (HLPST)
* *****
* PANEL(ONE) FORMAT(HEADER SFLCTL SFL)
*YU: X 004005 004014 LBL0001 Field-FIELD1 format-HEADER
*YU: X 004022 004026 LBL0002 Field-FIELD2 format-HEADER
*YU: X 004023 004027 LBL0003 Field-FIELD4 format-HEADER
*YU: X 002001 004080 LBL0004 Format level entry-HEADER
*YU: X 005020 005028 LBL0005 Field-CTL1 format-SFLCTL
*YU: X 005001 005080 LBL0006 Format level entry-SFLCTL
*YU: Warning: SFLIN keyword ignored. Subfile output may be incorrect
*YU: X 006020 025023 LBL0007 Field-SFLF1 format-SFL
*YU: X 006030 025030 LBL0008 Field-SFLF2 format-SFL
*YU: X 006001 025080 LBL0009 Format level entry-SFL
*YU: X 001001 024080 LBL0010 Panel level entry

```

## Examples

To add library MORGAN to library list NY:

```
YADDLLE LIB(MORGAN) LIBLST(NY)
```

To add library QGPL to all library lists beginning with 'NY':

```
YADDLLE LIB(QGPL) LIBLST(NY*)
```

To add library ENGLISH before library FRENCH to all library lists in QGPL:

```
YADDLLE LIB(ENGLISH) POSITION(*BEFORE FRENCH) LIBLST(QGPL/*ALL)
```

To add library GERMAN to all lists of type TEST, updating initial library list of all associated job descriptions to all library lists in QGPL:

```
YADDLLE LIB(GERMAN) LIBLST(QGPL/*ALL) UPDJOB(*YES) LSTTYPE(*TEST)
```

## Examples

To build a library list called FRED from the current job's library list:

```
YBLDLIBLST LIBLST(FRED) TEXT('Fred's library list')
```

To build a library list called SEPP0 from a specified list of libraries:

```
YBLDLIBLST LIBLST(SEPP0) TEXT('Seppo's library list') LIBL(QTEMP QGPL SEPP0 QRPG QTXT)
```

To build a library list called BASIL from the initial library list of job description ALGERNON:

```
YBLDLIBLST LIBLST(BASIL) TEXT('Basil's library list') OBD(ALGERNON)
```

To build a library list named MIKE from job description MIKE in library QGPL, specifying that this job description is to be associated with this library list, to have current library CHRIS, and to be for a test environment:

```
YBLDLIBLST LIBLST(MIKE) JOB(QGPL/MIKE) LSTTYPE(*TEST) CURLIB(CHRIS) LSTJOB(*JOB)
```

## Notes

1. The YADDHLPTBL command is subject to a number of size considerations:
  - Not more than 10 format names in each embedded YDFNPNLDSN or YDFNSCRDSN command.
  - Not more than 30 YDFNxxxDSN commands.
  - Not more than 100 record formats in each DDS source file member.
2. Additionally, further considerations when using the YADDHLPTBL command are: The YADDHLPTBL command makes a compilation of the DDS source. It is possible for a DDS compilation to fail. The most common causes of failure are either an incorrect library list (that is, the source can refer to a field reference file not in the library list), or that the source member is not a display file. If the compilation fails, the compilation listing is left on an output queue and a warning message is issued to the panel or the job log.

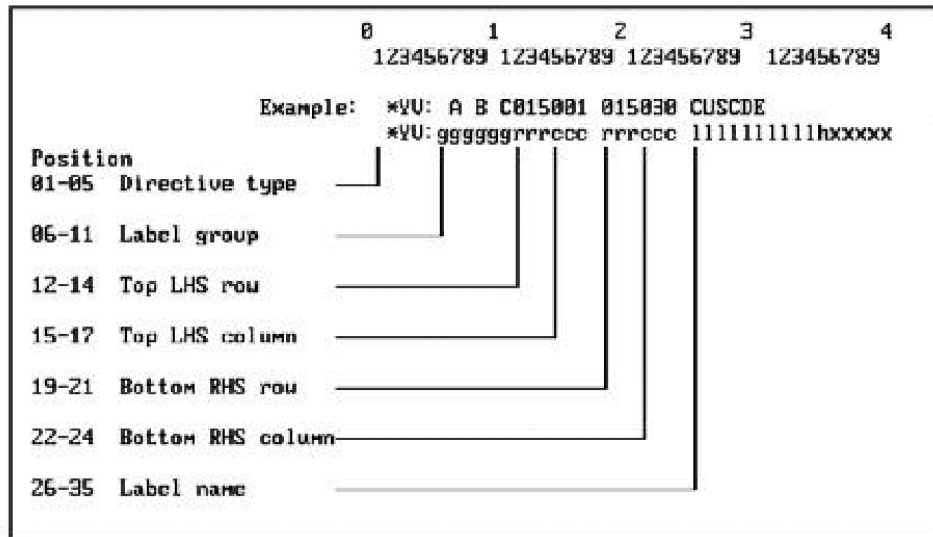
In general, any keyword that can change a field location dynamically is ignored. To aid problem determination a warning message is added to the source file output where appropriate.

- The following DDS keywords are ignored, and a warning message issued:
  - SFLDROP Subfile drop (fold or truncate subfile records)
  - SFLLIN Subfile line (used for a horizontal subfile)
  - USRDFN User defined data stream
- The following DDS keywords are ignored, and a warning message is not issued:
  - ALWROL Allow roll
  - CLRL Clear line (erase lines)
  - DSPMOD Display mode
  - DSPSIZ Display size - always assumed to be 24 x 80
  - SLNO Starting line number
- Warning messages are also be inserted for:
  - Formats not containing fields
  - Message subfile record formats.
  - Message subfile control record formats.

## YADDHLPTBL (Add Help Vector Table)

Builds a Help vector table from the DDS for a Display file and adds it to a source file member. The Help vector table can be used to drive the field sensitive help text facility of Display Help Text (YDSPHLP). Output from the YADDHLPTBL command is written to a source file that can be modified and included in the help text.

## Syntax Diagram



## Parameters

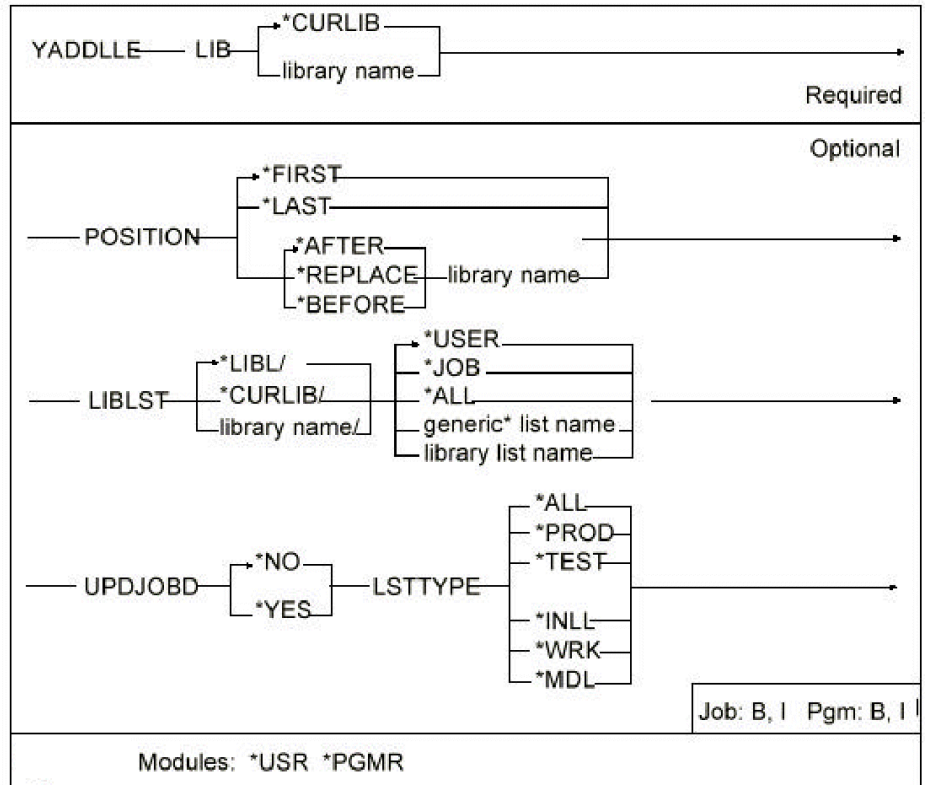
Parameter	Definition	Value and Description
SRCFILE	Qualified name of the source file containing the DDS of the display file for which a vector table is generated.	*LIBL/QDDSSRC: (default) Source file name MBRLST: The MBRLST parameter specifies the name of a member list containing the members to be processed.
SRCMBR	Generic or specific member's name in the source file selected for processing.	*ALL: (default) All members in the file are processed
TOFILE	Qualified name of the output file containing the member for the resulting vector table.	*CURLIB/QXTSRC: (default) Output file name
TOMBR	The name of the member in the output file holding the derived vector table	*SRCMBR: (default) The name of the output member is the same as that of the source file member; if the member does not exist, it is created

Parameter	Definition	Value and Description
MBROPT	Determines whether output replaces or is appended to any existing data	*REPLACE: (default) Replace existing member *ADD: Add to the contents of any existing member
CRTFILE	Determines whether the output file is created. An error is displayed if the output file does not exist and CRTFILE(*NO) is specified	*NO: (default) Do not create the output file. *YES: If the output file does not exist, it is created
MBRLST	Qualified name of a member list	QTEMP/TEMPLST: (default) Member list name
EDIT	Edit list option	*NO: (default) No editing is required *YES: Invoke the Edit Member List function to edit the list before execution

## YADDLLE (Add Library List Entry)

This command adds a command to a library or a library list or lists. If the library does not exist a warning message is issued, but the command is still added to the library list(s). If a library list already contains 25 libraries no additional libraries will be added. A completion message is returned indicating the number of library lists to which the library has been added.

## Syntax Diagram



## Parameters

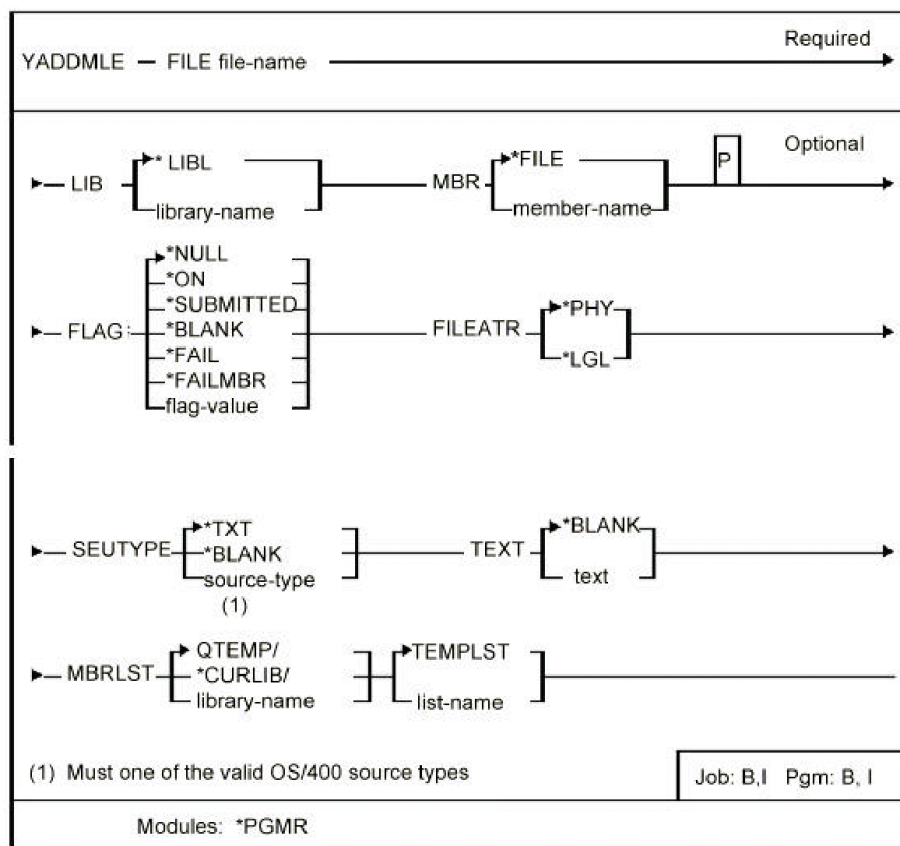
Parameter	Definition	Value and Description
<ul style="list-style-type: none"> <li>■ LIB</li> </ul>	<ul style="list-style-type: none"> <li>■ Name of the library to be added to the library list</li> </ul>	<ul style="list-style-type: none"> <li>■ *CURLIB: Add job's current library to all lists specified by LIBLST parameter</li> </ul>
<ul style="list-style-type: none"> <li>■ POSITION</li> </ul>	<ul style="list-style-type: none"> <li>■ The destination of the library list specified by the LIB parameter</li> </ul>	<ul style="list-style-type: none"> <li>■ *FIRST: (default) Add library to the beginning of the specified library list</li> <li>■ *LAST: Add library to the end of the specified library list</li> <li>■ Otherwise POSITION is a list parameter made up of the following two elements: <ul style="list-style-type: none"> <li>■ List position</li> <li>■ – *AFTER: (default) Add library after the reference library given in the second element</li> <li>■ – *BEFORE: Add library before the reference library</li> <li>■ – *REPLACE: Replace the reference library in the destination library list with the library specified by the LIB parameter</li> </ul> </li> <li>■ Reference library <ul style="list-style-type: none"> <li>■ – Name specified by the LIB parameter that lists where to place the library list</li> </ul> </li> </ul>
<ul style="list-style-type: none"> <li>■ LIBLST</li> </ul>	<ul style="list-style-type: none"> <li>■ Qualified generic name of library list(s) where the library is added</li> </ul>	<ul style="list-style-type: none"> <li>■ *USER: (default) Library list name is the same as the current user profile</li> <li>■ *JOB: Library list name is the same as the current job</li> <li>■ *ALL: Add library to all library lists in specified library</li> </ul>
<ul style="list-style-type: none"> <li>■ UPDJOB</li> </ul>	<ul style="list-style-type: none"> <li>■ Update job description associated with the library list</li> </ul>	<ul style="list-style-type: none"> <li>■ *YES: (default) Update initial library list of job description with libraries specified in the list.</li> <li>■ *NO: Do not update job description</li> </ul>

Parameter	Definition	Value and Description
■ LSTTYPE	■ Library list type	<ul style="list-style-type: none"> <li>■ *ALL: (default) Select all library lists</li> <li>■ *PROD</li> <li>■ *TEST</li> <li>■ *INLL</li> <li>■ *WRK</li> <li>■ *MDL</li> </ul>

## YADDMLE (Add Member List)

This command adds one entry to a member list and the entry details are taken from the command and not from any physical member.

### Syntax Diagram





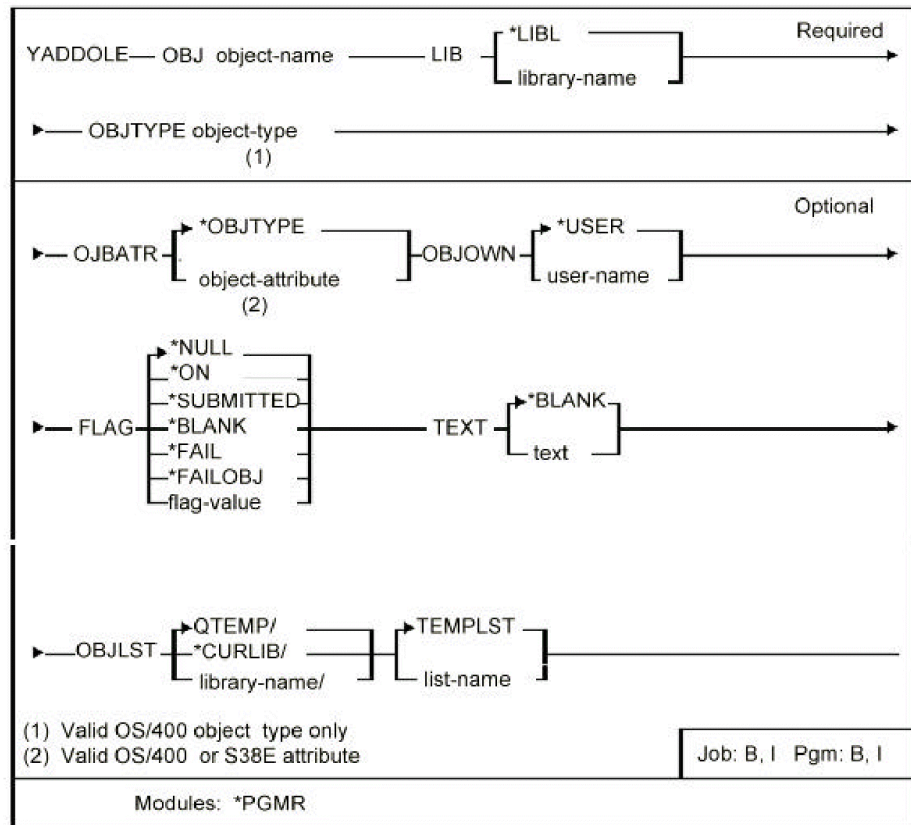
## Parameters

Parameter	Definition	Value and Description
FILE	Name of file on the member list entry	
LIB	Name of library on the member list entry	*LIBL: (default) The library name is *LIBL on the member list entry
MBR	Name of member on the member list entry	*FILE: (default) The member name is the same as that given by the FILE parameter
FLAG	Flag value on the member list entry	Single character flag value or one of the special flag values
FILEATR	File attribute on the member list entry	*PHY: (default) Physical file *LGL: Logical file
SEUTYPE	Source type on the member list entry	*TXT: text *BLANK: Source type is blank (enforced if FILEATR parameter is *LGL) Or one of the valid i OS source types (native or S38E)
TEXT	Text on member list entry	*BLANK: (default) no text for member
MBRLST	Qualified name to which the entry is added	QTEMP/TEMPLST: (default) list name

## YADDOLE (Add Object List Entry)

Adds one entry to an object list and the entry details are taken from the command and not from any physical object.

## Syntax Diagram



## Parameters

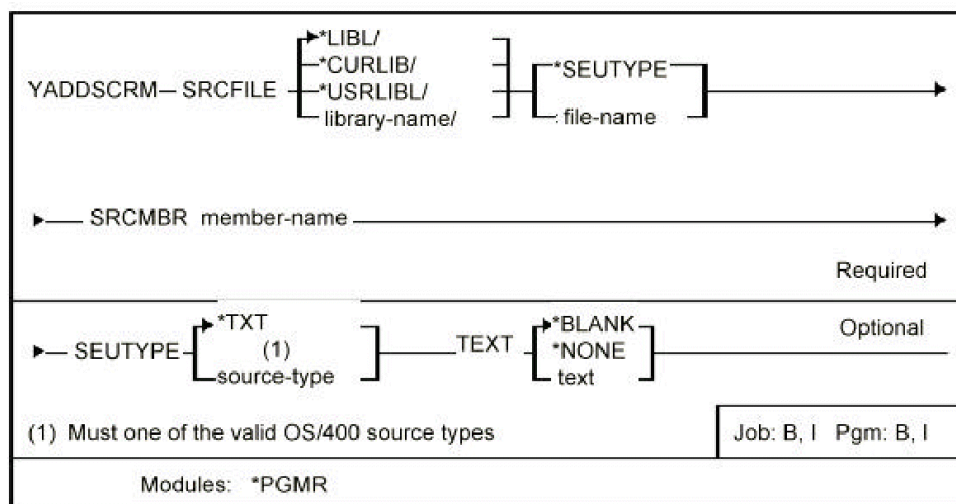
Parameter	Definition	Value and Description
OBJ	Name of the object listed in the object list entry	
LIB	Name of library in the object list entry	*LIBL: the library name is *LIBL on the object list entry
OBJTYPE	Valid i OS object type in the object list entry	

Parameter	Definition	Value and Description
OBJATR	i OS object attribute in object list entry	*OBJTYPE: (default) Object attribute is derived as follows: <ul style="list-style-type: none"> <li>– If object type is *PGM, then OBJATR is CLP.</li> <li>– If object type is *FILE, then OBJATR is PF.</li> <li>– Otherwise OBJATR is blank</li> </ul>
OBJOWN	Owner in object list entry	*USER: (default) Owner is the current user
FLAG	Flag value in the object list entry	Single character flag value or one of the special flag values
TEXT	Text in object list entry	*BLANK: (default) No text for object list entry
OBJLST	Qualified name of object where entry is added	QTEMP/TEMPLST: (default) List name

## YADDSRCM (Add Source Member)

This command adds a member to a source file; the source type of the member can be specified.

### Syntax Diagram



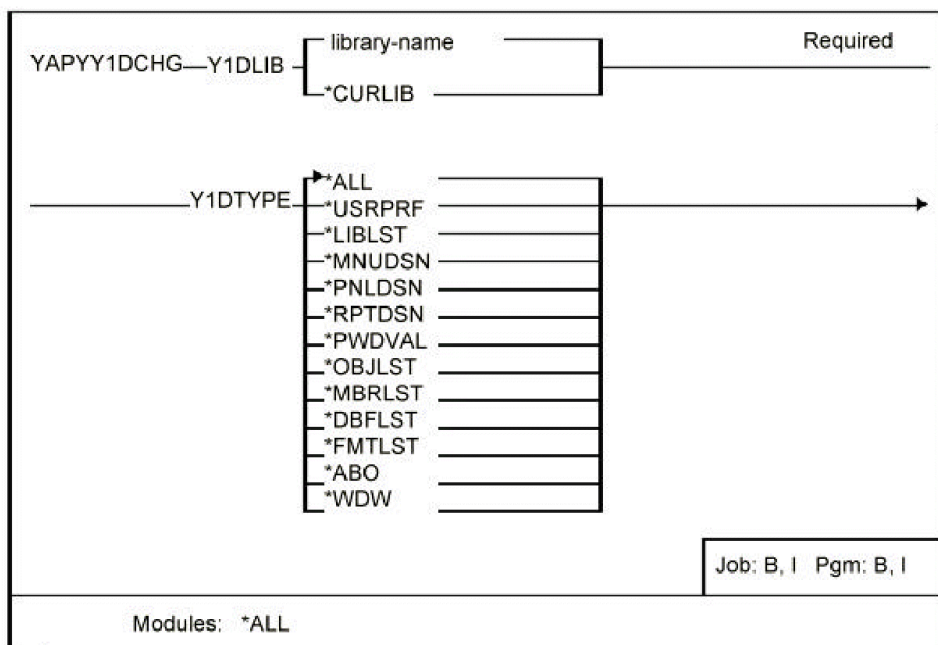
## Parameters

Parameter	Definition	Value and Description
SRCFILE	Qualified name of the source file where the member is added	*SEUTYPE: determines source file name from source type. If the source type is RPG use QRPGRSRC
SRCMBR	Name of added member	
SEUTYPE	Source type to be given to new member	Must be one of the valid i OS source types (native or S38E)
TEXT	Descriptive text for member	*BLANK: (default) no text for member

## YAPYY1DCHG (Apply Data Changes)

Updates data objects with any changes required by a new release. New release modifications must be applied to each data object before running some utilities on those data objects. This command affects any changes to named data objects in a named library.

### Syntax Diagram



## Parameters

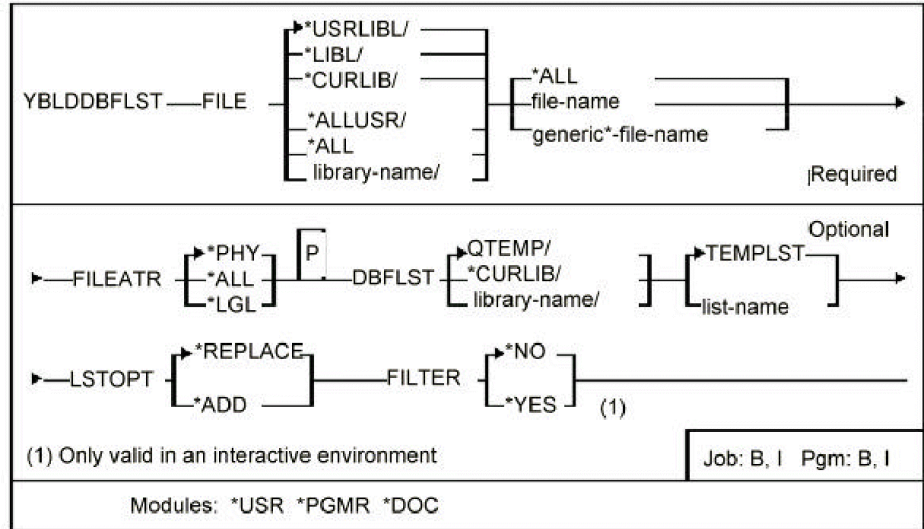
Parameter	Definition	Value and Description
Y1DLIB	Name of the library containing the data objects to be changed.	*CURLIB: Use the current library for the job. Data objects that have already been converted, or that do not need to be converted are ignored.
Y1DTYPE	Type of data object to change in the given library	*ALL: (default) Changes all data objects *USRPRF: Changes the user profile extension file *LIBLST: Changes the library list file *MNUDSN: Changes all menu design files *PNLDSN: Changes all panel design files *RPTDSN: Changes all report design files *PWDVAL: Changes the forbidden passwords file *OBJLST: Changes the object lists *MBRLST: Changes the member lists *DBFLST: Changes the database file lists *FMTLST: Changes all format lists *ABO: Changes all action bar objects *WDW: Changes all window source

■

## YBLDDBFLST (Build Database File List)

This command builds a list of database files that can be reused in other commands.

## Syntax Diagram



## Parameters

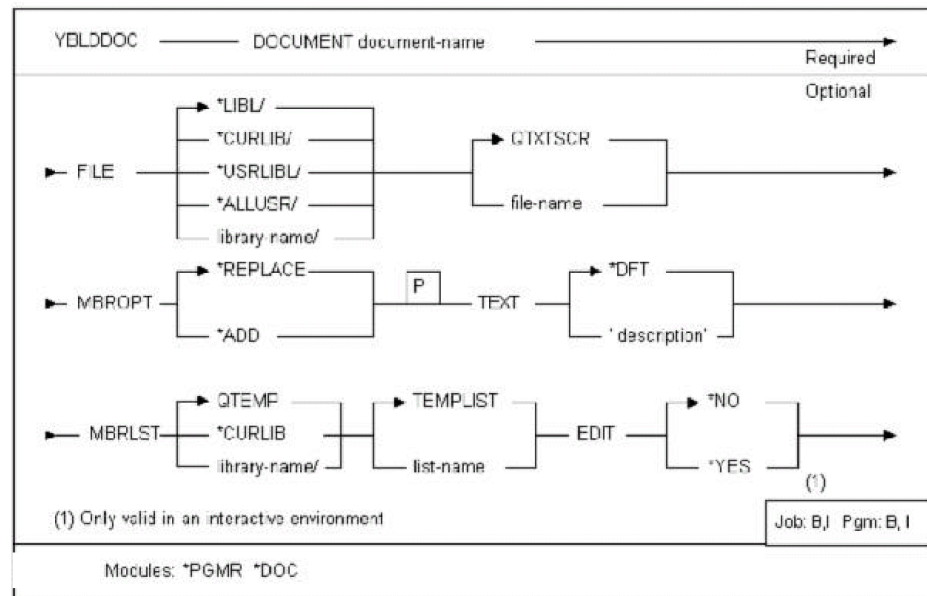
Parameter	Definition	Value and Description
FILE	Qualified generic file name of files included in the list.	*ALL: All files in nominated library or libraries
FILEATR	File attribute of database files which are included in the list.	*PHY: (default) Includes physical files only *LGL: Includes logical files only *ALL: Includes both physical and logical files in list
DBFLST	Qualified name of dbf list that is to be built	QTEMP/TEMPPLST: (default) List name
LSTOPT	List replacement option	*REPLACE: (default) Creates a new list or replace the contents of any existing list *ADD: Add to any existing list's contents
FILTER	Filter option	*NO: (default) Filter function is not invoked *YES: After building list invoke the command Filter Database File List (YFLTDBFLST)

■

## YBLDDOC (Build Master Document)

Builds a source document from a member list. The document created contains Text Management/38 'imbed' references to all of the source members in the list, and therefore constitutes a 'master document' that can be used to run a print of all the referenced documents, using the i OS 'Text management/38' print function (QSYS38/PRTDOC).

### Syntax Diagram



### Parameters

Parameter	Definition	Value and Description
DOCUMENT	Name of the master document (source file member) that is to be created/updated	

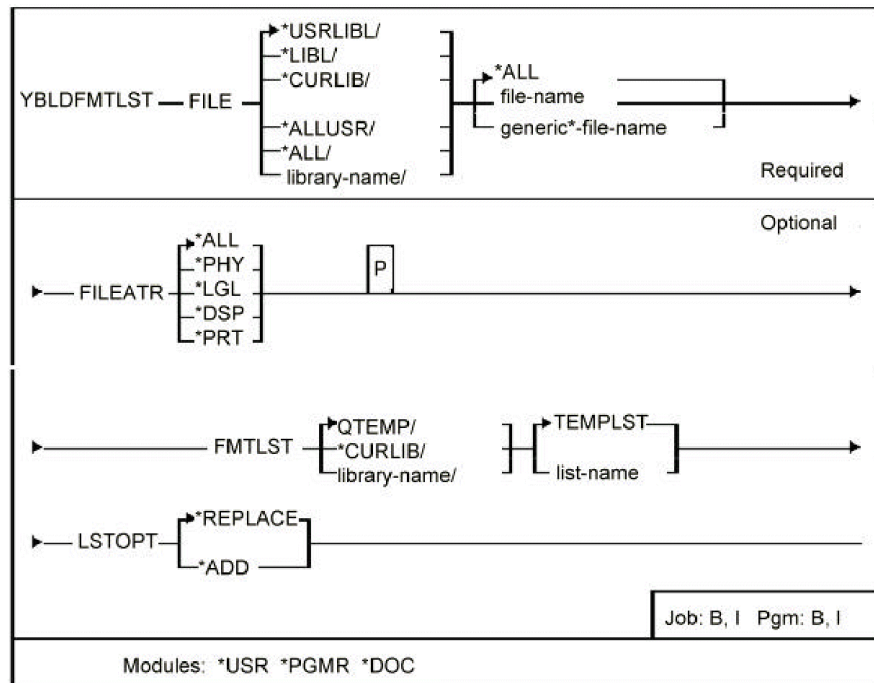
Parameter	Definition	Value and Description
FILE	Qualified name of file to contain the master document that is created/updated	*LIBL/QXTSRC: (default) Name for file
MBROPT	Member update option	*REPLACE: (default) Replace any existing document *ADD: The new document references are appended to the contents of any existing document
TEXT	Title for master document	*DFT: (default) The title defaults to "Master source document"
MBRLST	Qualified name of the member list that is converted into a master document	QTEMP/TEMPLST: (default) List name
EDIT	Edit list option	*NO: (default) The edit list function is not invoked *YES: Before building the master document, invoke the edit member list function

## YBLDFMTLST (Build Format List)

This command builds a list of the formats in a specified file or files. The list can then be used in other commands.



## Syntax Diagram



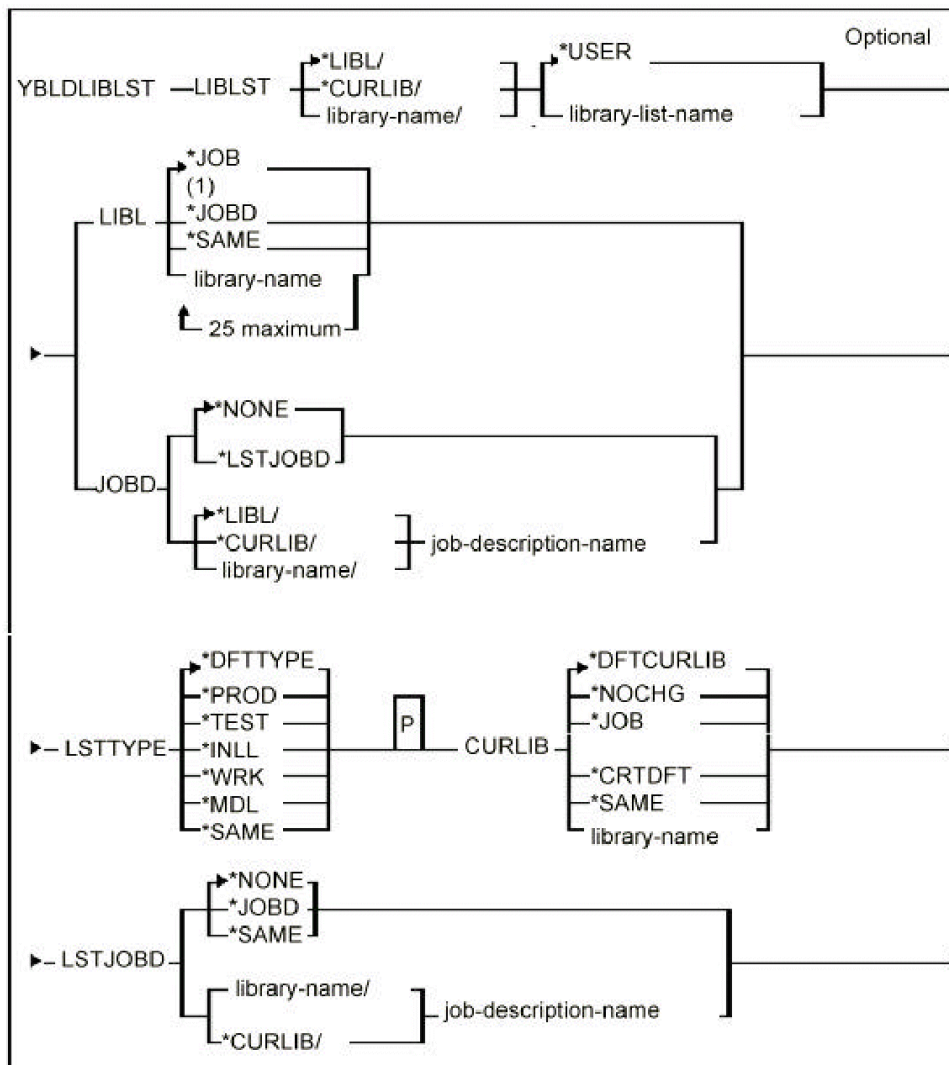
## Parameters

Parameter	Definition	Value and Description
	Qualified generic file name of files containing formats which are included in the list	*ALL: All files in specified library
	File attribute of files containing formats	<ul style="list-style-type: none"> <li>■ *ALL: (default) Include physical, logical, display and print files</li> <li>■ *PHY: Include physical files only</li> <li>■ *LGL: Include logical files only</li> <li>■ *DSP: Include display files only</li> <li>■ *PRT: Include print files only</li> </ul>
	Qualified name of format list that is to be built	QTEMP/T EMPLST: (default) List name
	List replacement option	<ul style="list-style-type: none"> <li>■ *REPLACE: (default) creates a new list - or replace the contents of any existing list</li> <li>■ *ADD: adds to any existing list's contents</li> </ul>

## YBLDLIBLST (Build Library List)

This command builds or updates a library list from either a specified list of libraries, from the current job's library list, or from the initial library list of a specified job description. The library list can then be used in other commands.

## Syntax Diagram



## Parameters

Parameter	Definition	Value and Description
	Qualified name of library list that is built or updated	*LIBL/* USER: (default) Library list has same name as the invoking job's user profile name. The library list is used to find the YLIBLST file
	Lists the libraries included in the built list (ignored if a value is specified for JOBD)	<ul style="list-style-type: none"> <li>■ *JOB: (default) Use current job's library list</li> <li>■ *JOB: Use library list specified by the JOBD parameter</li> <li>■ *SAME: Do not change list of libraries</li> </ul>
	Qualified name of job description whose initial library list (as specified by the INLLIBL parameter on the job description) is used to build the list	<ul style="list-style-type: none"> <li>■ *NONE: (default) Use library list specified by the LIBL parameter</li> <li>■ *LSTJOB: Use job description specified by the LSTJOB parameter</li> </ul>

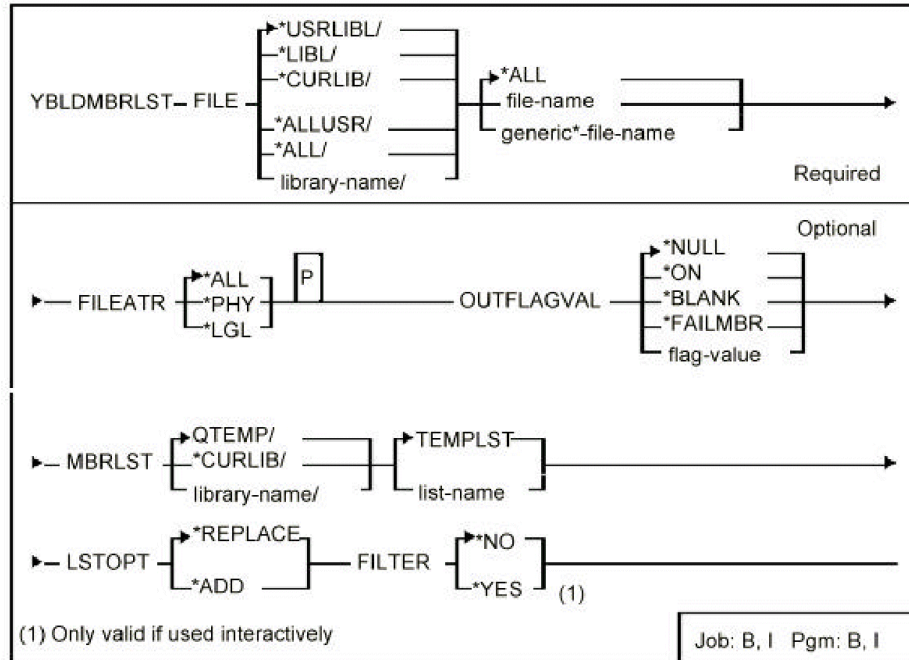
Parameter	Definition	Value and Description
	Library list type of the built library list	<ul style="list-style-type: none"> <li>■ *SAME: (default) Do not change the library list</li> <li>■ *PROD</li> <li>■ *TEST</li> <li>■ *INLL</li> <li>■ *WRK</li> <li>■ *MDL</li> <li>■ *DFTTYPE: Library list type is *INLL if library list is built from a JOB or JOB; otherwise it is *WRK</li> </ul>
	Name of the current library associated with the library list	<ul style="list-style-type: none"> <li>■ *DFTCURLIB: (default) If the library list is built from a JOB, use the current library; otherwise, *NOCHG</li> <li>■ *NOCHG: Do not change current library when replacing with the built library list</li> <li>■ *JOB: Use the current library in the current job's library list as the current library associated with the library list</li> <li>■ *SAME: Do not change the current library list</li> <li>■ *CRTDFT: The current library is *CRTDFT when replacing the built library list</li> </ul>
	Qualified name of job description associated with the library list	<ul style="list-style-type: none"> <li>■ *NONE: (default) Do not associate any job description with the library list</li> <li>■ *JOB: Associate the job description, specified in the JOB parameter, with the library list</li> <li>■ *SAME: Do not change the library list job description</li> </ul>

Parameter	Definition	Value and Description
	Update library list's job description specified in the LSTJOB parameter	<ul style="list-style-type: none"> <li>■ *YES: (default) The initial library list with job descriptions is updated with the libraries specified in the list</li> <li>■ *NO: Do not update the job description</li> </ul>
	Descriptive text for list (up to 50 characters)	<ul style="list-style-type: none"> <li>■ *DFTTXT: (default) Provide default text</li> <li>■ *NONE: Give descriptive text value *BLANK</li> <li>■ *SAME: Do not change descriptive text</li> </ul>

## YBLDMBRLST (Build Member List)

This command builds a list of the members in a specified database file or files. The list can then be used in other commands.

### Syntax Diagram





## Parameters

Parameter	Definition	Value and Description
	Qualified generic file name of database files containing members included in the list	<ul style="list-style-type: none"><li>■ *ALL: (default) All files in specified library</li></ul>
	File attribute of files containing members	<ul style="list-style-type: none"><li>■ *ALL: (default) Include both logical &amp; physical files</li><li>■ *PHY: Include physical files only</li><li>■ *LGL: Include logical files only</li></ul>
	Flag value given to entries in the list	*NULL: (default) Set flag to null value Single character flag value or one of the special flag values
	Qualified name of member list that is built	QTEMP/TEMPLST: (default) List name
	List replacement option	<ul style="list-style-type: none"><li>■ *REPLACE: (default) Creates a new list or replace the contents of any existing list</li><li>■ *ADD: Add to any existing list's contents</li></ul>

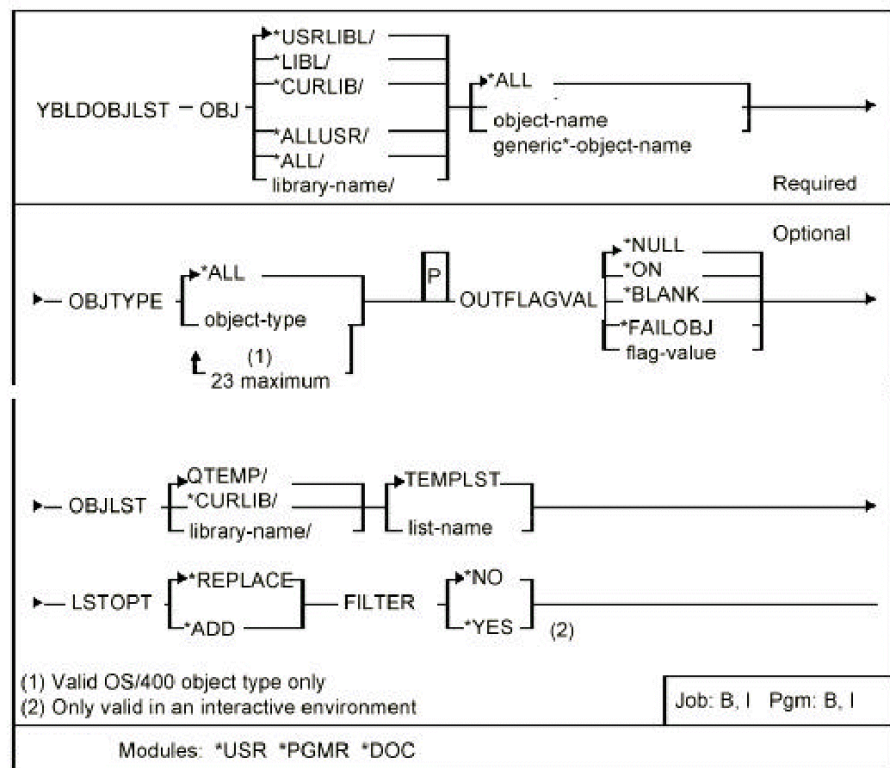


Parameter	Definition	Value and Description
	Filter option	<ul style="list-style-type: none"> <li>■ *NO: (default) Filter function is not invoked</li> <li>■ *YES: After building the list invoke the command Filter Member List (YFLTMBRLST)</li> </ul>

## YBLDOBJLST (Build Object List)

This command builds a list of objects that can then be used in other commands.

### Syntax Diagram



## Parameters

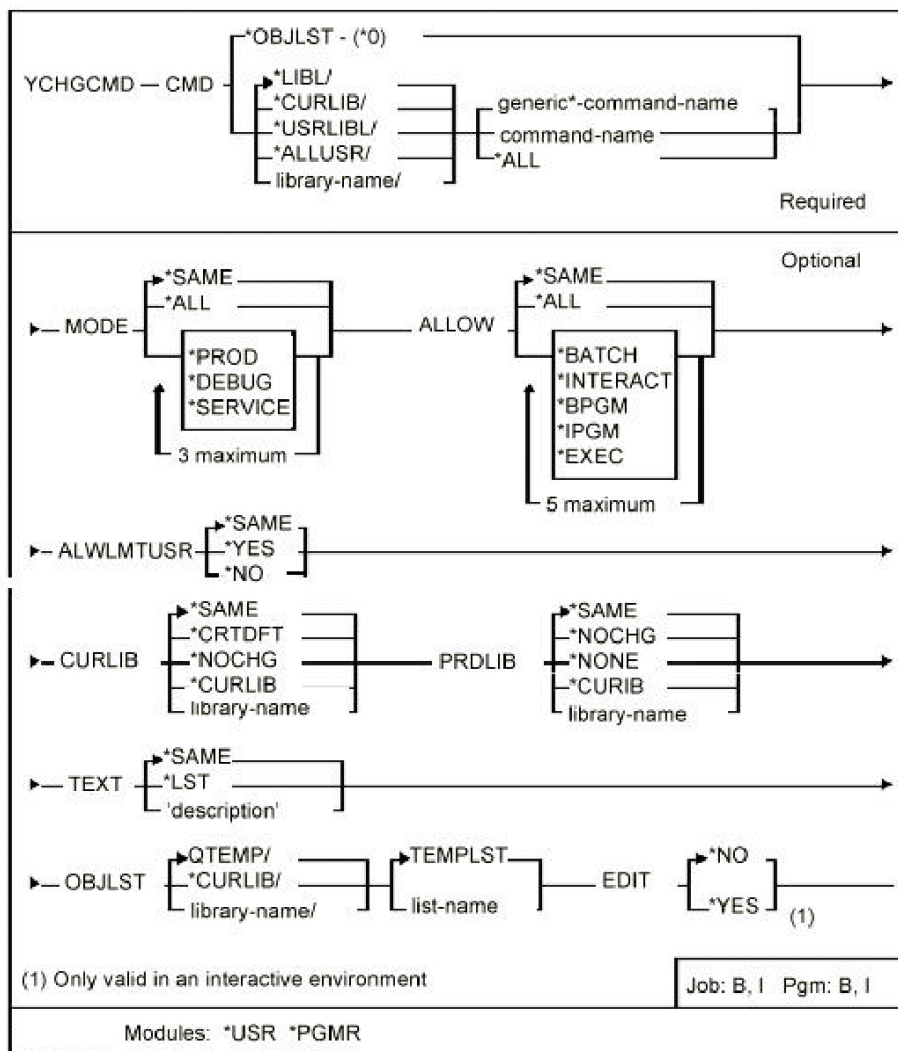
Parameter	Definition	Value and Description
	Qualified generic object name of the objects included in the list	*ALL: (default) Includes all objects in the specified libraries
OBJTYPE	List of i OS object types of objects which are to be included in object list	*ALL: (default) Includes all object types

Parameter	Definition	Value and Description
	Flag value to be given to entries in the list	*NULL: (default) Set flag to null value Single character flag value or one of the special flag values
	Qualified name of object list that is to be built	QTEMP/TEMP/PLST: (default) Name for list
	List replacement option	<ul style="list-style-type: none"> <li>■ *REPLACE: (default) Create a new list, replacing any previous list's contents</li> <li>■ *ADD: Add to any existing list's contents</li> </ul>
	Filter option	<ul style="list-style-type: none"> <li>■ *NO: (default) Filter function is not invoked</li> <li>■ *YES: After building the list, invoke the Filter Object List (YFLTOBJLST)</li> </ul>

## YCHGCMD (Change Command)

This command changes the attributes of one or more commands. The commands to be modified can either be specified by a generic name, or with the object list.

## Syntax Diagram



## Parameters

Parameter	Definition	Value and Description
	Qualified generic name of commands with changed attributes	<ul style="list-style-type: none"> <li>■ *OBJLST: Commands are specified by a list whose name is given by the OBJLST parameter</li> <li>■ *ALL: All commands in specified library</li> </ul>
MODE	Specifies the types of operating environment in which the command is used. One or more of the modes can be specified	<ul style="list-style-type: none"> <li>■ *SAME: (default) No change to the modes of operation for the commands</li> <li>■ *ALL: The commands are valid in all types of operation</li> <li>■ *PROD: The commands are valid for production mode</li> <li>■ *DEBUG: The commands are valid for debug mode</li> <li>■ *SERVICE: The commands are valid for service mode</li> </ul>

Parameter	Definition	Value and Description
	Specifies where the commands are processed. One or more of the options can be specified	<ul style="list-style-type: none"> <li>■ *SAME: (default) No change to where the commands are processed</li> <li>■ *ALL: The commands are valid in a batch input stream, in a CL program, or when processed interactively. The commands can also be passed to the system program QCMDXEC (or QCAEXEC) for processing</li> <li>■ *BATCH: The commands are valid in a batch input stream, external to a compiled CL program</li> <li>■ *BPGM: The commands can be included in a compiled CL program that runs in a batch input stream</li> <li>■ *IPGM: The commands can be included in a compiled CL program that runs interactively</li> <li>■ *EXEC: The commands can be included as a parameter on the CALL command and be passed as a character string to the system program QCMDXEC (or QCAEXEC) for processing</li> <li>■ *INTERACT: The commands are valid interactively</li> </ul>
	Specifies whether the commands can be entered directly by a user whose profile is set for limited capabilities (as defined by the LMTCPB keyword on the i OS and/or Create User Profile (CRTUSRPRF, YCRTUSRPRF), and Change User Profile (CHGUSRPRF, YCHGUSRPRF) commands	<ul style="list-style-type: none"> <li>■ *SAME: (default) The limited user authority is not changed</li> <li>■ *NO: The commands cannot be entered by a user whose profile is set for limited capabilities</li> <li>■ *YES: The commands can be entered by a user whose profile is set for limited capabilities</li> </ul>

Parameter	Definition	Value and Description
	Specifies the name of the library used as the current library during the processing of the commands	<ul style="list-style-type: none"> <li>■ *SAME: (default) The current library for the commands is not changed</li> <li>■ *CRTDFT: There is no current library active during the processing of these commands</li> <li>■ *NOCHG: The current library is not changed for the processing of the commands</li> <li>■ *CURLIB: The current library of the commands is set to invoking the YCHGCMD command. If no current library exists in the library list of the job, QGPL is used</li> </ul>
	Specifies the name of the product library that is affected during the processing of the commands	<ul style="list-style-type: none"> <li>■ *SAME: (default) The product library for the commands is not changed</li> <li>■ *NONE: There is no product library in the job's library list during processing of the commands</li> <li>■ *NOCHG: The product library is not changed when the command process starts</li> <li>■ *CURLIB: The product library of the commands is set to invoking the YCHGCMD command. If no current library exists in the library list of the job, QGPL is used</li> </ul>
	Specifies the user-defined text on the commands	<ul style="list-style-type: none"> <li>■ *SAME: (default) The user-defined text is unchanged</li> <li>■ *LST: The user-defined text is taken from the object list entry for the command being changed</li> </ul>

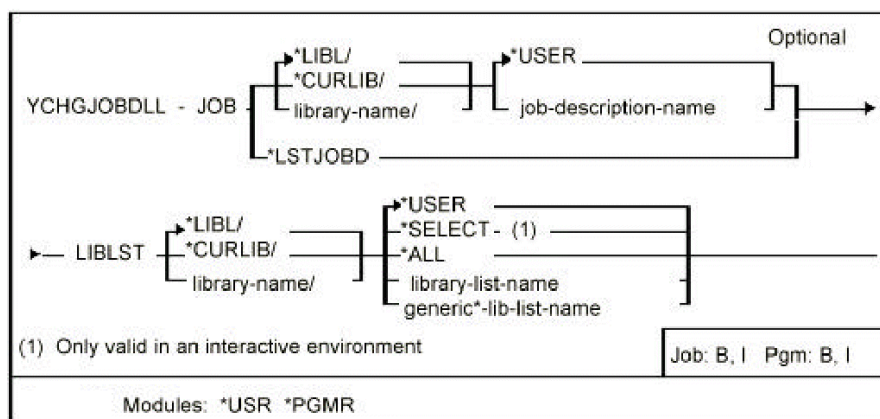
Parameter	Definition	Value and Description
	Qualified name of object list specifying the commands for which the attributes are changed	<ul style="list-style-type: none"> <li>■ QTEMP/TEMPLST: (default) List name</li> <li>■ If CMD(*OBJLST) is specified, an existing list is used. Otherwise a new list is created from the parameters specified</li> </ul>
	Edit list option	<ul style="list-style-type: none"> <li>■ *NO: (default) The edit list function is not to be invoked</li> <li>■ *YES: Invoke the edit list facility before proceeding with the command execution</li> </ul>

■

## YCHGJOBDDL (Change Job Description Library List)

This command replaces the initial library list of a job description with the contents of a named library list. The library list must have been stored using the command Build Library List (YBLDLIBLST).

### Syntax Diagram





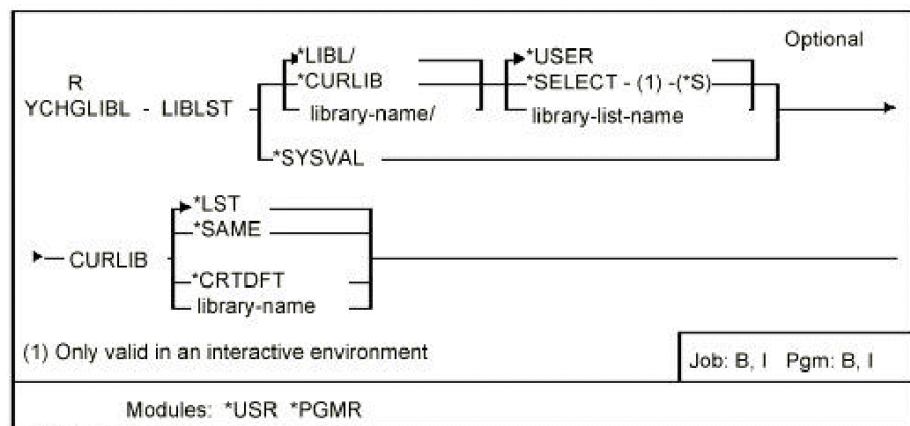
## Parameters

Parameter	Definition	Value and Description
	Qualified name of job description whose initial library list is changed	<ul style="list-style-type: none"> <li>■ *USER: (default) Job description has same name as current user</li> <li>■ *LSTJOB: Job description from library list entry</li> </ul>
LIBLST	Qualified name of the library list whose contents are used to replace the initial library list on the specified job description	<ul style="list-style-type: none"> <li>■ *USER: (default) Library list has same name as user</li> <li>■ *SELECT: Display a list of available library lists</li> <li>■ *ALL: Select all library lists</li> </ul>

## YCHGLIBL (Change Library List)

This command replaces the current job's library list with the contents of a specified library list. The library list must have been stored using the command Build Library List (YBLDLIBLST).

## Syntax Diagram



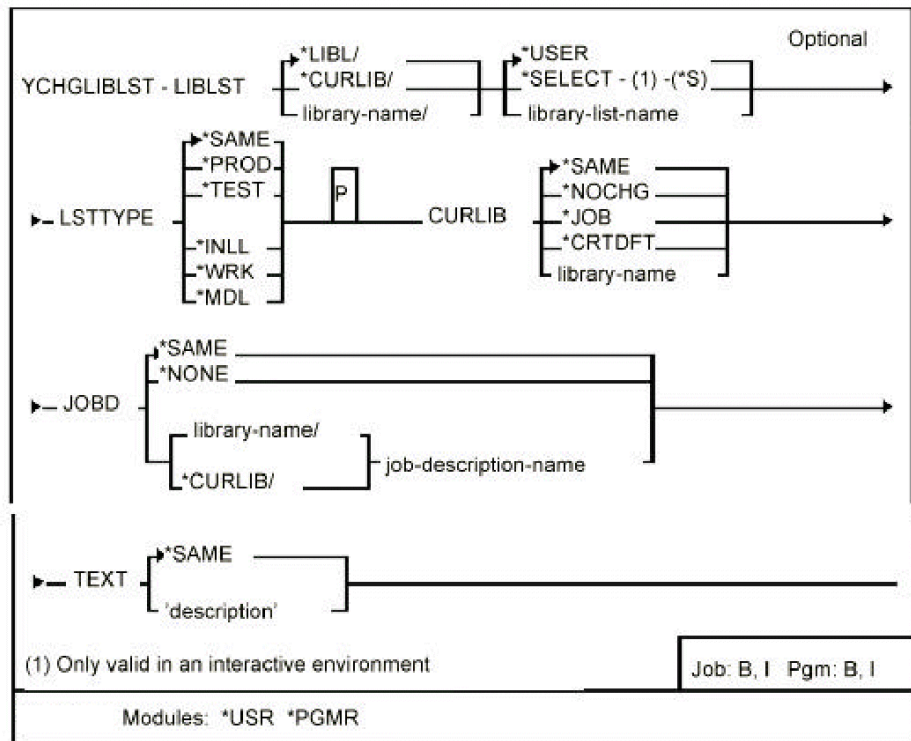
## Parameters

Parameter	Definition	Value and Description
	Qualified name of the library list whose contents are used to replace the current job's library list	<ul style="list-style-type: none"> <li>■ *USER: (default) Use library list of same name as user</li> <li>■ *SELECT: Display a list of available library lists</li> <li>■ *SYSVAL: Use system user library list</li> </ul>
CURLIB	Specifies the library to replace the current library in the current job's library list	<ul style="list-style-type: none"> <li>■ *LST: (default) Use the library list's current library entry to replace the current library in the current job's library list</li> <li>■ *SAME: Do not change the current library in the job's library list</li> <li>■ *CRTDFT: No library should be in the current entry of the job's library list. If objects are created into the current library, then use library QGPL as the default current library</li> </ul>

## YCHGLIBLST (Change Library List Description)

This command changes a library list description.

## Syntax Diagram



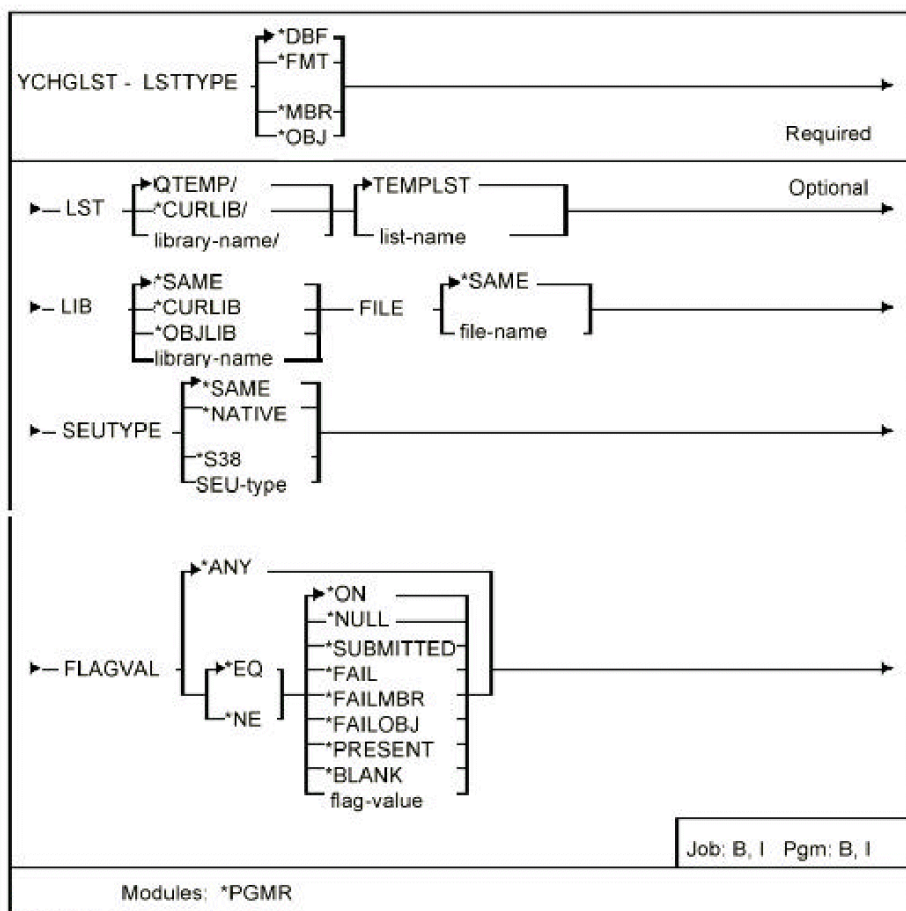
## Parameters

Parameter	Definition	Value and Description
	Qualified name of the library list whose contents are used to replace the current job's library list	<ul style="list-style-type: none"> <li>■ *USER: (default) Use library list with same name as user</li> <li>■ *SELECT: Display list of available library lists</li> </ul>
LSTTYPE	Library list type of the built library list	<ul style="list-style-type: none"> <li>■ *SAME: (default) Do not change the library list type</li> <li>■ *PROD</li> <li>■ *TEST</li> <li>■ *INLL</li> <li>■ *WRK</li> <li>■ *MDL</li> </ul> <p>Use chosen library list type</p>
JOB	Qualified name of job description to be associated with the library list	<ul style="list-style-type: none"> <li>■ *SAME: (default) Do not change the job description</li> <li>■ *NONE: Do not associate any job description with the library list</li> </ul>
CURLIB	Name of the current library to be associated with the library list	<ul style="list-style-type: none"> <li>■ *SAME: (default) Do not change the current library</li> <li>■ *NOCHG: Do not change the current library when replacing the library list with the built library list</li> <li>■ *JOB: Use the current library in the job's library list as the current library associated with the library list</li> <li>■ *CRTDFT: Current library is to be *CRTDFT when replacing the library list with the built library list</li> </ul>
TEXT	Descriptive text for list (up to 50 characters)	*SAME: (default) Do not change the text

## YCHGLST (Change List)

Allows changes to be made to selected fields for each item in a list.

### Syntax Diagram



## Parameters

Parameter	Definition	Value and Description
	List type whose entries are changed	<ul style="list-style-type: none"> <li>■ *DBF: Database file list</li> <li>■ *FMT: Format list</li> <li>■ *MBR: Member list</li> <li>■ *OBJ: Object list</li> </ul>
LST	Qualified name of a list whose entries are changed	QTEMP/T EMPLST: (default) Name for list
LIB	New value for library name on list items	<ul style="list-style-type: none"> <li>■ *SAME: (default) Make no change to library name</li> <li>■ *CURLIB: Change library name to current library of job</li> <li>■ *OBJLIB: Change the library name to the name of the first library in the current library list in which the object is found. If the object is not found, change library to *LIBL</li> </ul>
FILE	New value for file name on member list items	<ul style="list-style-type: none"> <li>■ *SAME: (default) Make no change to file name</li> </ul>

Only applies if LSTTY PE(\*MBR) or LSTTY PE(\*FMT) are specified

Parameter	Definition	Value and Description
SEUTYPE	New value for SEU source type on member list items if LSTTYPE(*MBR), or new value for object attribute on object list if LSTTYPE(*OBJ)	<ul style="list-style-type: none"> <li>■ *SAME: (default) make no change to SEU type or object attribute</li> <li>■ *S38: Change all source types (object attributes) to be IBM i S38E types (object attributes), that is add the characters '38' to SEU types (object attributes). For example, convert RPG to RPG38, DSPF to DSPF38</li> <li>■ *NATIVE: Change all source types (object attributes) to be native IBM i source types (object attributes), that is remove any instances of the characters '38' or '36' from SEU types (object attributes). For example, convert RPG38 to RPG, DSPF36 to DSPF'</li> </ul> <p style="text-align: right;">Only applies if LSTTYPE(*MBR) or LSTTYPE(*OBJ) specified</p>

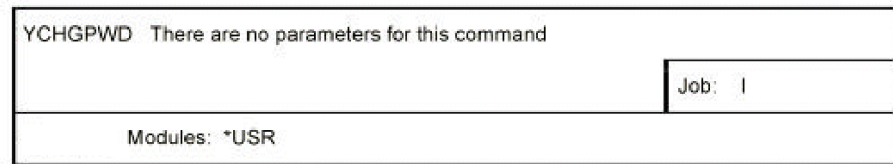
Parameter	Definition	Value and Description
FLAGVAL	Flag value of list entries to change	<ul style="list-style-type: none"> <li>■ *ANY: (default) Change all list entries</li> </ul> <p>Other wise, FLAG VAL is a list parameter made up of the following two elements:</p> <ul style="list-style-type: none"> <li>■ Relational operator for selection of flags <ul style="list-style-type: none"> <li>– *EQ: (default) Equal to</li> <li>– *NE: Not equal to</li> </ul> </li> <li>■ Flag value <ul style="list-style-type: none"> <li>– Single character flag value or one of the special flag values</li> </ul> </li> </ul>



## YCHGPWD (Change Password)

This command calls an interactive program that displays password expiry information for user profiles, and allows the password to change.

### Syntax Diagram



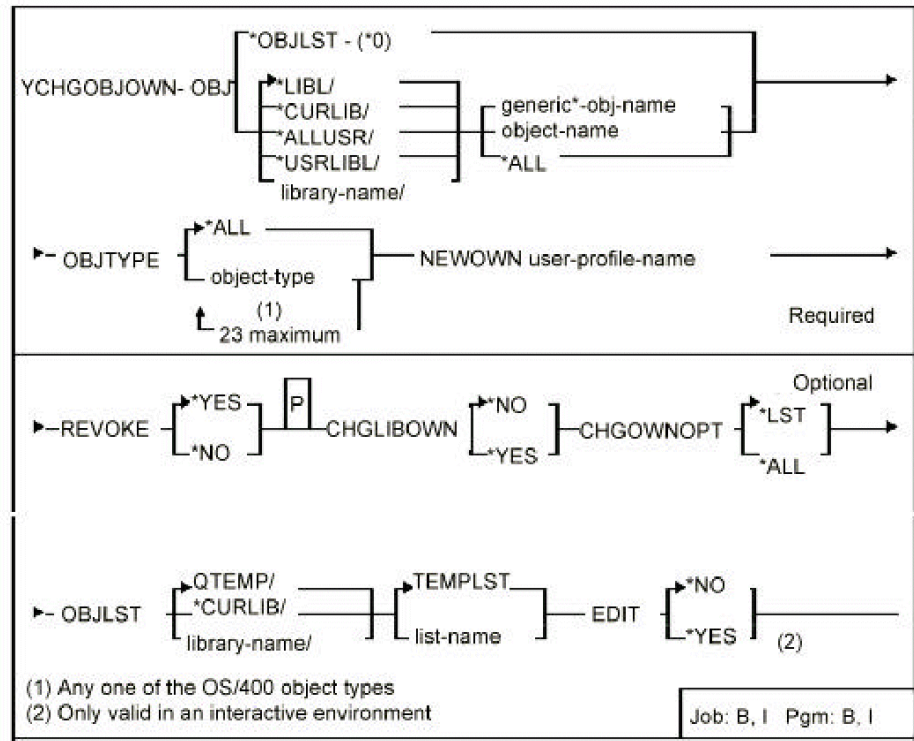
### Parameters

None

## YCHGOBJOWN (Change Object Ownership)

This command changes the object ownership for a list of objects. The list can either be specified with a generic name, or an object list previously created with the build object list functions. The current owner's authorities can be revoked at the same time.

## Syntax Diagram



Parameters

Parameter	Definition	Value and Description
O B J	Qualified generic name of objects whose ownership is changed	<ul style="list-style-type: none"> <li>■ *OBJLST: Objects are specified by a list whose name is given by the OBJLST parameter</li> <li>■ *ALL: All objects</li> </ul>
O B J T Y P E	List of types of object whose ownership is to be changed	* A L L : c h a n g e o w n e r s h i p f o r a l l o b j e c t t y p e s

Parameter	Definition	Value and Description
NEWOWN	New owner and must be the name of an existing user profile	
REVOKE	Revoke old owner's authorities	<ul style="list-style-type: none"><li>■ *YES: (default) Authorities of the old owner are revoked, unless the old owner is the same as that specified by the NEWOWN parameter</li><li>■ *NO: Old owner is still authorized</li></ul>

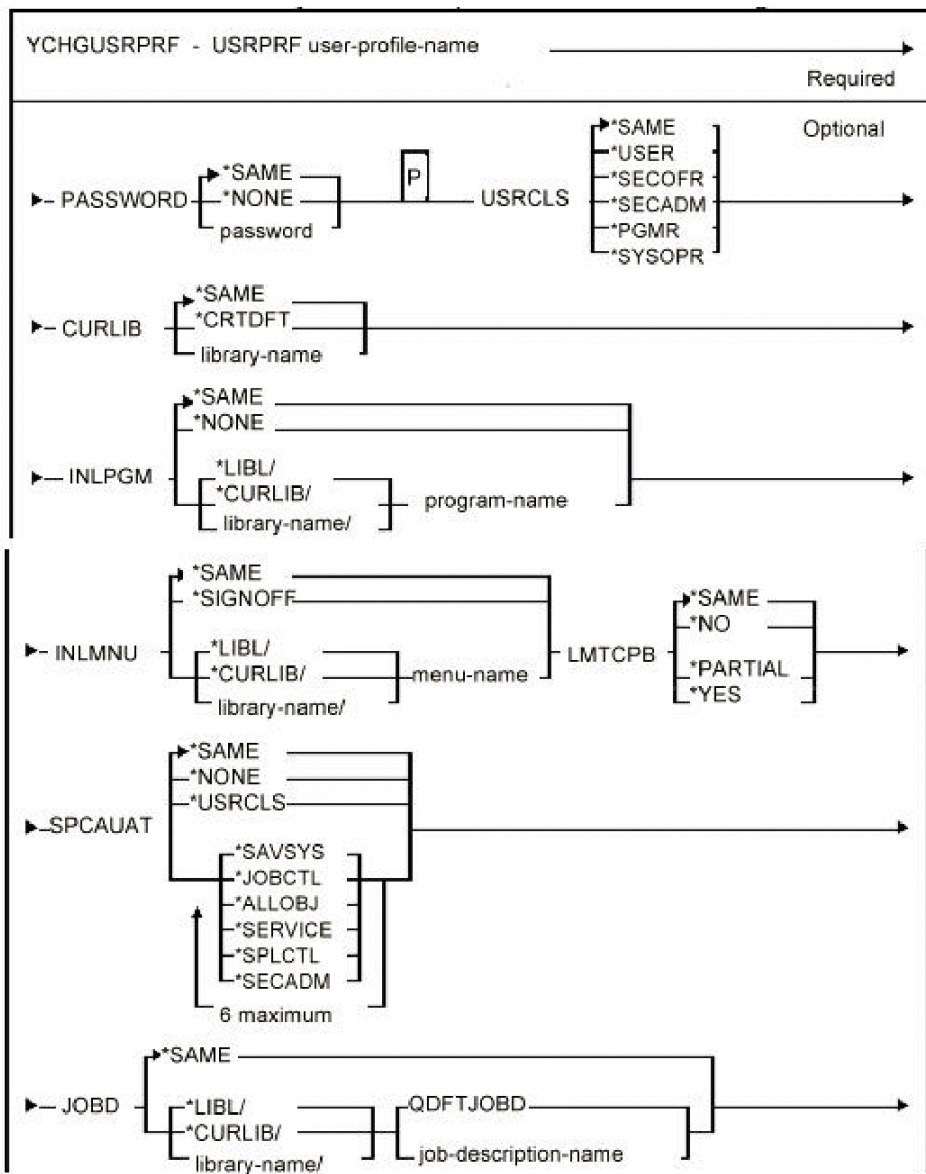
Parameter	Definition	Value and Description
CHGNLIB	Change ownership of library containing objects	<ul style="list-style-type: none"> <li>■ *NO: (default) Do not change ownership of library.</li> <li>■ *YES: change ownership of library. CHGLIBOWN(*YES) can not be specified if OBJ(*OBJLST) is specified</li> </ul>
CHGNLIB	Specifies if the command should ignore objects owned by the NEWOWN profile. (The list records the ownership of the object when the list is built.)	<ul style="list-style-type: none"> <li>■ *LST: (default) Changes ownership only of objects the list indicates are not already owned by the NEWOWN profile</li> <li>■ *ALL: Change ownership of all objects in list regardless of their recorded ownership</li> </ul>
OBJLST	Qualified name of object list specifying the object for which the ownership is to be changed.	QTEMP/TEMPLST: (default) List name If OBJ(*OBJLST) is specified, an existing list is used. Otherwise a new list is created from the parameters specified
EDIT	Edit list option.	<ul style="list-style-type: none"> <li>■ *NO: (default) The edit list function is not invoked</li> <li>■ *YES: Invoke the edit list facility before proceeding with the command execution</li> </ul>

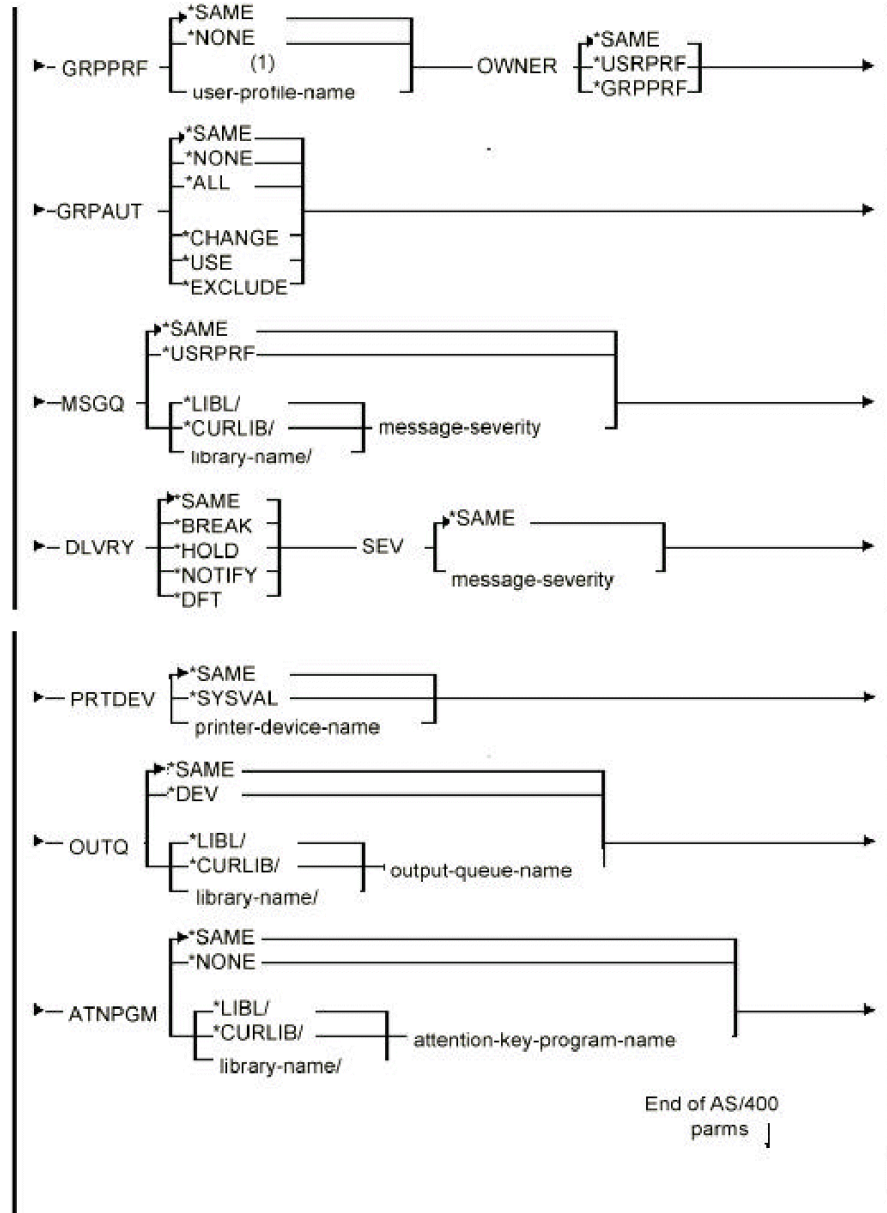
## YCHGUSRPRF (Change User Profile)

This command changes a specified user profile. Both i OS and CA2E user profile details can be changed.

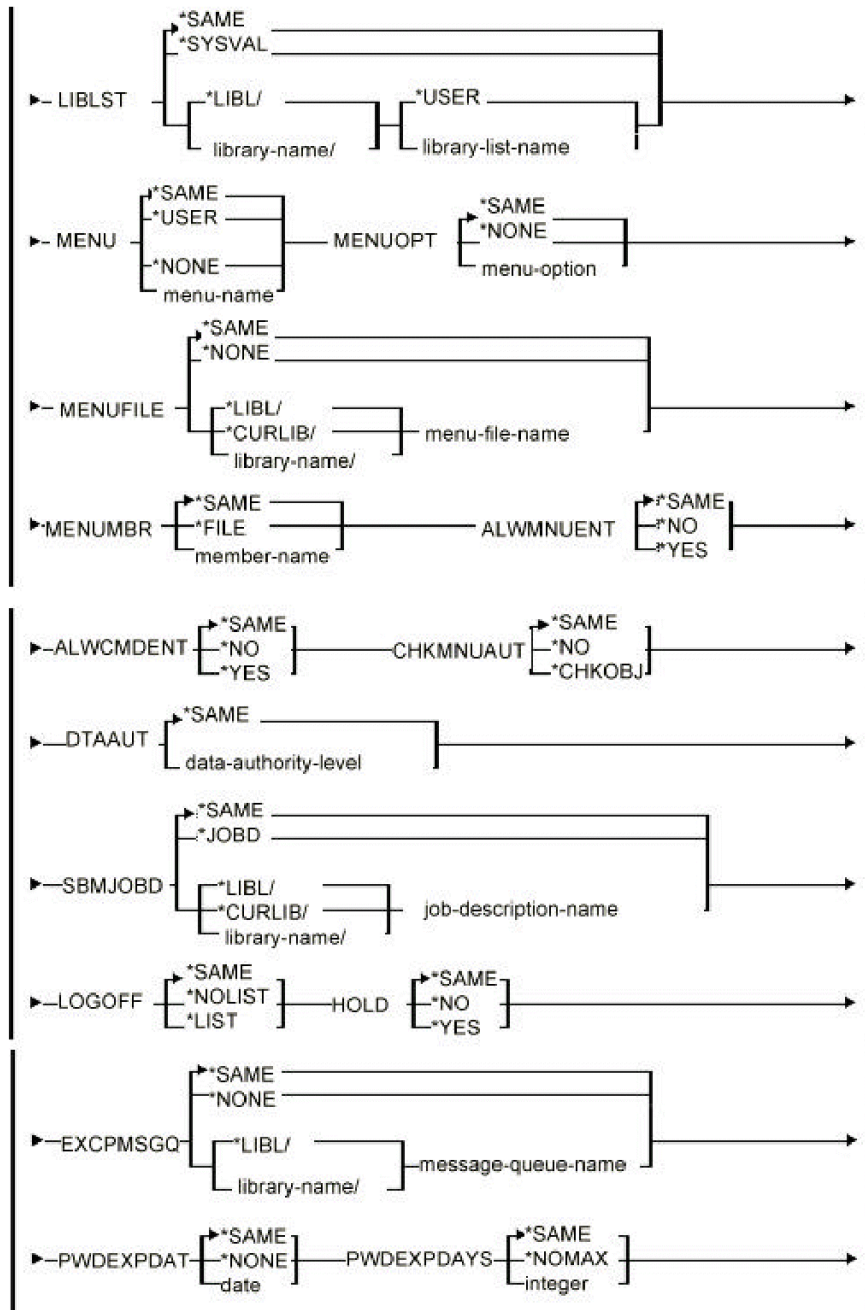
## Syntax Diagram

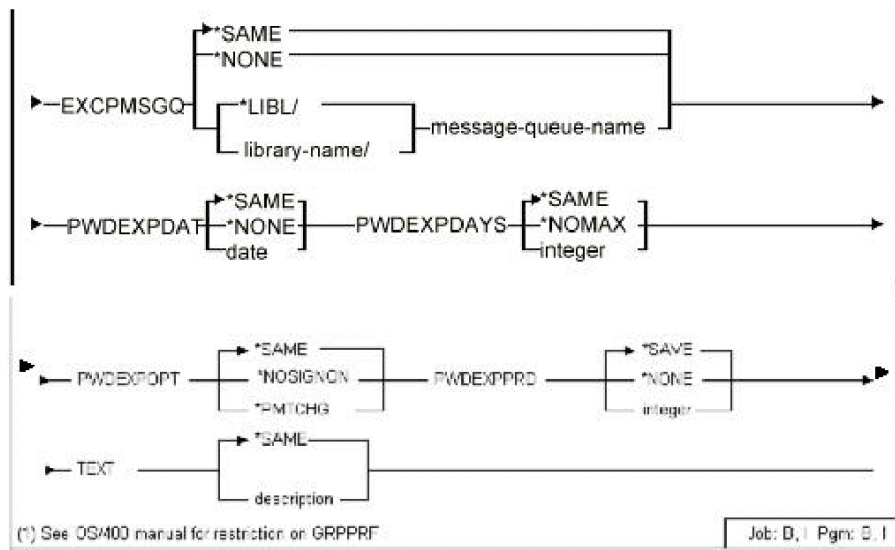
The diagram appears on the following pages.











## Parameters

Parameter	Definition	Value and Description
	Qualified generic name of objects whose ownership is to be changed	<ul style="list-style-type: none"> <li>■ *OBJLST: Objects are specified by a list whose name is given by the OBJLST parameter</li> <li>■ *ALL: all objects</li> </ul>
USRPRF	User profile name	

Parameter	Definition	Value and Description
PASSWORD	A valid User password name	<ul style="list-style-type: none"> <li>■ SAME: (default) The previous value remains unchanged</li> <li>■ *NONE: Profile has no password. USRCLS User class. One of the following values:</li> <li>■ *USER: Defined as a user</li> <li>■ *SECOFR: User has security officer class</li> <li>■ *SECADM: User has administration class.</li> <li>■ *PGMR: Defined as a programmer</li> <li>■ *SYSOPR: User has system operator class</li> </ul>
CURLIB	Default current library for this user	<ul style="list-style-type: none"> <li>■ *SAME: (default) The previous value remains unchanged</li> <li>■ *CRTDFT: This user has no default create library. The library QGPL is used as the default library</li> </ul>
INLPGM	Qualified name of initial program for profile. This program is the first program to execute when the user signs on	<ul style="list-style-type: none"> <li>■ *SAME: (default) The previous value remains unchanged</li> <li>■ *NONE: There is no initial program for the profile</li> <li>■ *LIBL/YINLPGM: (default) The initial program is the first program to execute</li> </ul>
INLMNU	Qualified name of initial menu for profile. This menu is called if there is no initial program, and if an initial program executes a return	<ul style="list-style-type: none"> <li>■ *SAME: (default) The previous value remains unchanged</li> <li>■ *SIGNOFF: Executes a signoff command if the initial program executes a return</li> </ul>
LMTCPB	Limit capability of user to change user profile	<ul style="list-style-type: none"> <li>■ *SAME: (default) The previous value remains unchanged</li> <li>■ *NO: Do not limit capability</li> <li>■ *YES: Limit capability</li> <li>■ *PARTIAL: Partial limitation</li> </ul>

Parameter	Definition	Value and Description
SPCAUT	Special authorities. Either single value	<ul style="list-style-type: none"> <li data-bbox="1049 321 1432 380">■ *SAME: (default) The previous value remains unchanged</li> <li data-bbox="1049 407 1432 466">■ *NONE: No special authorities are to be granted</li> <li data-bbox="1049 493 1432 552">■ *USRCLS: Authorities are defined by user class</li> <li data-bbox="1049 579 1432 638">■ *Or a list of up six special values:                             <ul style="list-style-type: none"> <li data-bbox="1382 665 1432 690">–</li> <li data-bbox="1382 690 1432 1031">*SA VSY S: Gra nt sav e syst em righ ts</li> <li data-bbox="1382 1058 1432 1083">–</li> <li data-bbox="1382 1083 1432 1423">*JO BCT L: Gra nt job con trol righ ts</li> <li data-bbox="1382 1451 1432 1476">–</li> <li data-bbox="1382 1476 1432 1816">*SE CAD M: Gra nt ad min istr ator righ ts</li> <li data-bbox="1382 1843 1432 1869">–</li> <li data-bbox="1382 1869 1432 2085">*AL LOB J: Gra nt righ ts</li> </ul> </li> </ul>

Parameter	Definition	Value and Description
JOB	Qualified name of initial job description defining the initial job environment when the user signs on	<ul style="list-style-type: none"> <li>■ *SAME: (default) The previous value remains unchanged</li> <li>■ QDFTJOB: The system-supplied job description in library QGPL is used</li> </ul>
GRPPRF	Group profile name	<ul style="list-style-type: none"> <li>■ *SAME: (default) The previous value remains unchanged</li> <li>■ *NONE: Profile is not a group profile member</li> </ul>
Owner	Owner of created objects for group members. If a value of GRPPRF(*NONE) is specified then *USRPRF must be specified	<ul style="list-style-type: none"> <li>■ *SAME: (default) The previous value remains unchanged</li> <li>■ *USRPRF: The user profile is to own any objects created by the profile</li> <li>■ *GRPPRF: The group profile is to own any created objects</li> </ul>
GRPAUT	Authority given to the group profile for newly created objects. If OWNER(*GRPPRF) is specified *NONE is required	<ul style="list-style-type: none"> <li>■ *SAME: (default) The previous value remains unchanged</li> <li>■ *NONE: No authority is given to the group profile</li> <li>■ *ALL: All authority is given to the group profile</li> <li>■ *CHANGE: Change authority for the object type is given to the group profile</li> <li>■ *USE: Authority to use the object type is given to the group profile</li> <li>■ *EXCLUDE: User profile is excluded</li> </ul>
MSGQ	Qualified name of message queue associated with the user profile	<ul style="list-style-type: none"> <li>■ *SAME: (default) The previous value remains unchanged</li> <li>■ *USRPRF: A message queue with the same specified name as in the USRPRF parameter and used as the message queue for the user</li> </ul>

Parameter	Definition	Value and Description
DELVRV	Mode of delivery for messages sent to specified message queue	<ul style="list-style-type: none"> <li>■ *SAME: (default) The previous value remains unchanged</li> <li>■ *HOLD: Messages are to be held on the message queue</li> <li>■ *BREAK: Messages of the appropriate severity are displayed at the time of delivery. The severity level is determined by the value specified for SEV</li> <li>■ *NOTIFY: Messages of the appropriate severity cause the message waiting indicator to be displayed</li> <li>■ *DFT: All information messages are ignored and other messages are held. Any enquiry messages are given the default reply specified on the job description, or on the message description</li> </ul>
SEV	Message severity to use when setting message queue delivery	<ul style="list-style-type: none"> <li>■ *SAME: (default) The previous value remains unchanged</li> <li>■ 00/99: Message severity. See i OS manual for message severity code meanings</li> </ul>
PRTDEV	Name of the printer associated with the user	<ul style="list-style-type: none"> <li>■ *SAME: (default) The previous value remains unchanged</li> <li>■ *SYSVAL: Use the printer device specified by the system value QPRTDEV</li> </ul>
OUTQ	Qualified name of output queue associated with the user profile	<ul style="list-style-type: none"> <li>■ *SAME: (default) The previous value remains unchanged</li> <li>■ *DEV: Output is to be directed to the output queue having the same name as the printer device specified on the PRTDEV parameter</li> </ul>

Parameter	Definition	Value and Description
ATNPGM	Qualified name of the attention key program associated with the user profile	<ul style="list-style-type: none"> <li>■ *SAME: (default) The previous value remains unchanged</li> <li>■ *NONE: No attention key program is associated with the user profile</li> </ul> <p style="text-align: right;">If an attention program is specified, the job automatically changes into a group job.</p>
AUT	Authority given to the public for the user profile	<ul style="list-style-type: none"> <li>■ *SAME: (default) The previous value remains unchanged</li> <li>■ *ALL: All authorities are given to the public</li> <li>■ *CHANGE: Change authority for the profile given to the public</li> <li>■ *USE: Authority to display the profile is given to the public</li> <li>■ *EXCLUDE: No authority is given to the public</li> </ul>
LIBLST	Qualified name of initial library list set at start of sign-on	<ul style="list-style-type: none"> <li>■ *SAME: (default) The previous value remains unchanged</li> <li>■ *SYSVAL: Uses the system default library list</li> <li>■ *USER: Uses a library list with the same name as that specified in the USRPRF parameter</li> </ul>

Parameter	Definition	Value and Description
MENU	Name of initial profile user menu	<ul style="list-style-type: none"> <li>■ *SAME: (default) The previous value remains unchanged</li> <li>■ *USER: Uses an initial menu with the same name as that specified in the USRPRF parameter</li> <li>■ *NONE: There is no initial menu</li> </ul>
MENUOPT	The profile for the initial menu option	<ul style="list-style-type: none"> <li>■ *SAME: (default) The previous value remains unchanged</li> <li>■ *NONE: The initial menu is displayed</li> <li>■ menu-option: Executes the program/command specified by the initial menu option</li> </ul>
MENUEFILE	Qualified file name and must be a menu file	<ul style="list-style-type: none"> <li>■ *SAME: (default) The previous value remains unchanged</li> <li>■ *LIBL/YDSNMNU: The default menu file name</li> <li>■ *NONE: No initial menu is displayed</li> </ul>
MENUMBR	Menu file member name	<ul style="list-style-type: none"> <li>■ *SAME: (default) The previous value remains unchanged</li> <li>■ *FILE: The member name is the name specified in the FILE parameter</li> </ul>
ALWMNUENT	Allow menu name entry from the menu display	<ul style="list-style-type: none"> <li>■ *SAME: (default) The previous value remains unchanged</li> <li>■ *NO: The user is not permitted to enter menu names. The user is restricted to the displayed menu options</li> <li>■ *YES: The user can enter menu names to transfer directly to the named menu</li> </ul>



---

Parameter	Definition	Value and Description
ALWCMDENT	Allow command entry from the menu display	<ul style="list-style-type: none"><li>■ *SAME: (default) The previous value remains unchanged</li><li>■ *NO: The user is not permitted to enter commands and is restricted to the displayed menu options.</li><li>■ *YES: The user may enter and execute commands directly from the menu</li></ul>
CHKMNUAUT	Checks user authorization to menu options while loading menus	<ul style="list-style-type: none"><li>■ *SAME: (default) The previous value remains unchanged</li><li>■ *NO: When loading a menu, do not check the user's authorization to use the program or command named for each menu option</li><li>■ *CHKOBJ: When loading a menu, check the user's authorization to use the program or command named for each executable menu option</li></ul>

---

Parameter	Definition	Value and Description
DTAAUT	Data authority level (1-high to 9-low)	<p>This value is available directly from the file YUSRPRF in the library, or via the YRTVUSRPRF command in a CL program. It can be used to provide a simple form of field level authorization, For example, levels 4 and above can view a salary field. Checking must be provided by user code</p> <p>*SAME: (default) The previous value remains unchanged</p>

Parameter	Definition	Value and Description
SBMJJOB	Qualified job description for submitted jobs	<p>This job description is used by the menu display program for menu options having the submit option</p> <ul style="list-style-type: none"> <li>■ *SAME: (default) The previous value remains unchanged</li> <li>■ *JOB: Use the value specified on the JOB parameter</li> </ul>
LOGOFF	Sign off option	<ul style="list-style-type: none"> <li>■ *SAME: (default) The previous value remains unchanged</li> <li>■ *NOLIST: No job log is to be created</li> <li>■ *LIST: A job log is to be created</li> </ul>
HOLD	Hold/release user profile option	<ul style="list-style-type: none"> <li>■ *SAME: (default) The previous value remains unchanged</li> <li>■ *NO: The user may sign-on</li> <li>■ *YES: The user is prevented from signing on</li> </ul>
EXCPMSGQ	Qualified name of exception message queue. Profile associated with the user profile and a copy of any exception message received by the display menu program is sent to this queue	<ul style="list-style-type: none"> <li>■ *SAME: (default) The previous value remains unchanged</li> <li>■ *NONE: No exception message is associated with the profile</li> </ul>

Parameter	Definition	Value and Description
PWDEXPDAT	Date password expires	<ul style="list-style-type: none"> <li>■ *SAME: (default) The previous value remains unchanged</li> <li>■ *NONE: There is no expiry date</li> </ul>
PWDEXPDAYS	Number of days after date of last change that a password is to remain valid	<ul style="list-style-type: none"> <li>■ *SAME: (default) The previous value remains unchanged</li> <li>■ *NOMAX: There is no limit to the number of days that the password remains valid 1-999: Number of days</li> </ul>
PWDEXPOPT	Action that YINLPGM is to take if password expiry is detected for a user at sign-on	<ul style="list-style-type: none"> <li>■ *SAME: (default) The previous value remains unchanged</li> <li>■ *NOSIGNON: Prevent user from signing on</li> <li>■ *PMTCHG: Prompt user for new password, providing number of days specified by PWDEXPPRD parameter has not been exceeded</li> </ul>
PWDEXPPRD	Number of days after password has expired that user is still allowed to sign on, providing the password is changed	<ul style="list-style-type: none"> <li>■ *SAME: (default) The previous value remains unchanged</li> <li>■ *NONE: The user may not sign on after the password has expired. 1-999: Number of days</li> </ul>
TEXT	Text associated with user profile	<ul style="list-style-type: none"> <li>■ *SAME: (default) The previous value remains unchanged</li> </ul>

## YCHKIFSOBJ (Check IFS Object)

The Check IFS Object (YCHKIFSOBJ) command checks the existence of an object in the Integrated File System (IFS) and verifies the user's authority to the object before trying to access it.

If the object exists and the user has the correct authority to the object, then no error messages will be sent to the user. If the object does not exist or the user does not have the correct authority to it, an error message will be sent to the user. The error message will be in the range CPE3401 through CPE3599.

## Parameters

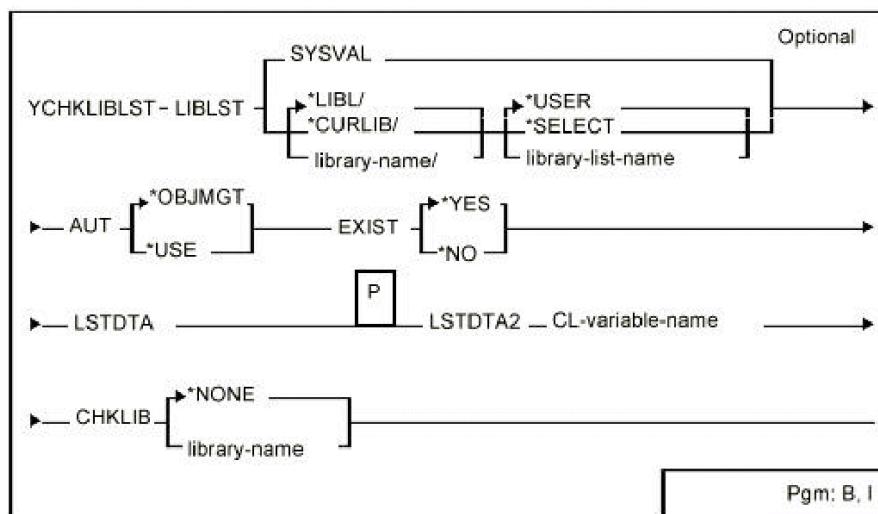
Parameter	Definition	Value and Description
	Specify the full path name of the object in the Integrated File System to be checked. An asterisk signifying a wildcard character is not allowed within either a directory or an object name.  This is a required parameter	Valid examples are as follows: /webopt/adv2e.gif /QDLS/Y2WEBDOC/H0001043.HTM /qsys.LIB/y2syveng.LIB/yvallstrfp.FILE/yvallstrfp.MBR /QOpenSys/QIBM/UserData/HTTPSVR/ProxyCache

Parameter	Definition	Value and Description
	Specifies the type of checking to be performed on the object specified in the OBJ parameter.	<ul style="list-style-type: none"> <li data-bbox="976 323 1443 394">■ *EXIST: Only the object's existence is checked.</li> <li data-bbox="976 411 1443 632">■ *R: The command checks whether the user running this command has read authority to the object. A user with *R authority can view the contents of the object. *R authority provides object operational authority and data read authority.</li> <li data-bbox="976 653 1443 905">■ *W: The command checks whether the user running this command has write authority to the object. A user with *W authority can change the contents of the object. *W authority provides object operational authority and data add, update, and delete authorities.</li> <li data-bbox="976 926 1443 1178">■ *X: The command checks whether the user running this command has execute authority to the object. A user with *X authority can run a program or search a library or directory. *X authority provides object operational authority and data execute authority.</li> <li data-bbox="976 1199 1443 1514">■ *RW: The command checks whether the user running this command has read and write authority to the object. A user with *RW authority can view the contents of the object and change the contents of the object. *RW authority provides object operational authority and data read, add, update, and delete authorities.</li> <li data-bbox="976 1535 1443 1892">■ *RX: The command checks whether the user running this command has read and execute authority to the object. A user with *RX authority can perform basic operations on the object, such as run a program or display the contents of a file. The user is prevented from changing the object. *RX authority provides object operational authority and read and execute authorities.</li> <li data-bbox="976 1913 1443 2100">■ *WX: The command checks whether the user running this command has write and execute authority to the object. A user with *WX authority can change the contents of the object and run a program or search a</li> </ul>

## YCHKLIBST (Check Library List)

Checks for a library list, and is intended for internal use by utilities. Returns the list contents to a variable.

### Syntax Diagram



### Parameters

Parameter	Definition	Value and Description
LIBLST	Qualified name of the checked library list	<ul style="list-style-type: none"> <li>■ *USER: (default) Checks the list with the name of the current user profile to ensure the name exists in the library</li> <li>■ *SELECT: Provides a display of existing lists in the specified library</li> <li>■ *SYSVAL: Returns the list contents of the system value library list QSYSLIBL</li> </ul>

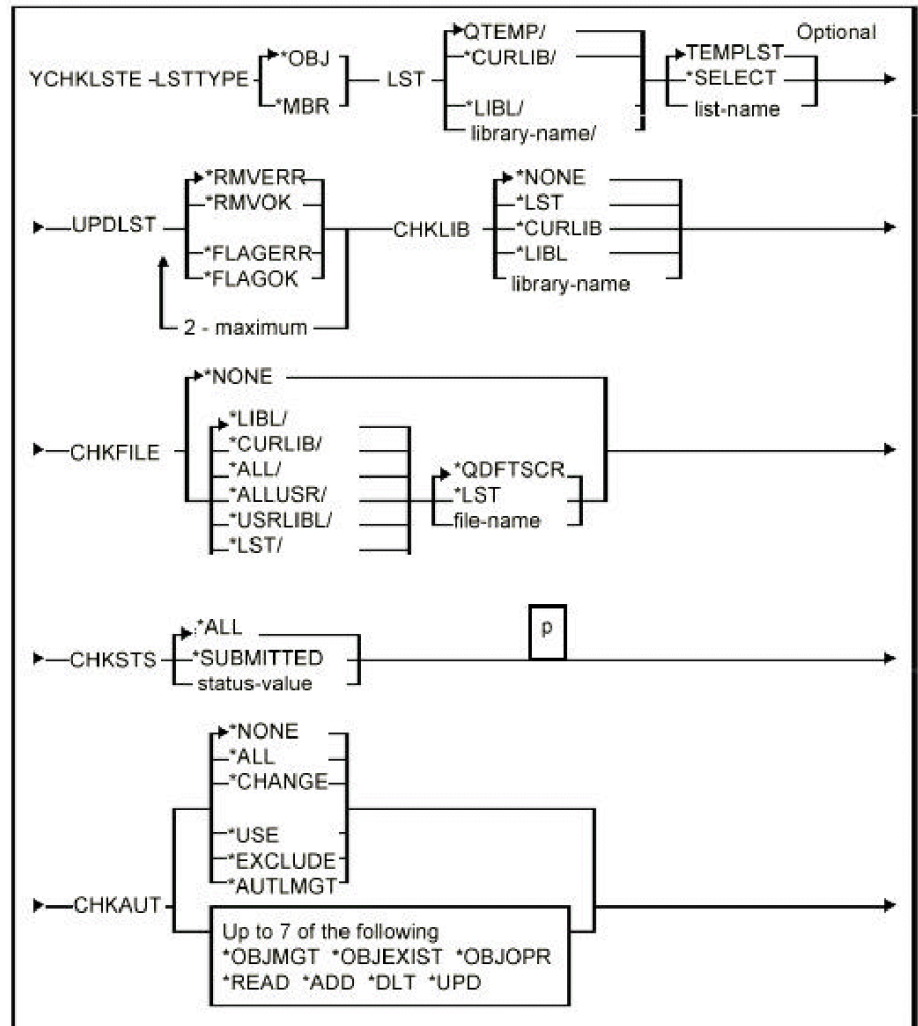
AUT	Authorization rights to check	<ul style="list-style-type: none"> <li>■ *OBJMGT: (default) Corresponds to authority rights *OBJOPR, *ADD, *READ, *DLT, *UPD for the list file</li> <li>■ *USE: Corresponds to authority rights *OBJOPR and *READ for the library list file</li> </ul>
EXIST	Checks whether specified list exists	<ul style="list-style-type: none"> <li>■ *YES: (Default) Issues escape message if list specified by the LIBLST parameter is not found</li> <li>■ *NO: Issues escape message if list is found</li> </ul>
LSTDTA	Name of CL-variable into which the first part of the found list is to be returned. Must be a character variable, 322 bytes long	
LSTDTA2	Name of the CL variable into which the second part of the found list is to be returned. Must be a character variable 87 bytes long	
CHKLIB	Checks whether a library exists in the library list	*NONE : (default) do not check any library's existence in library list

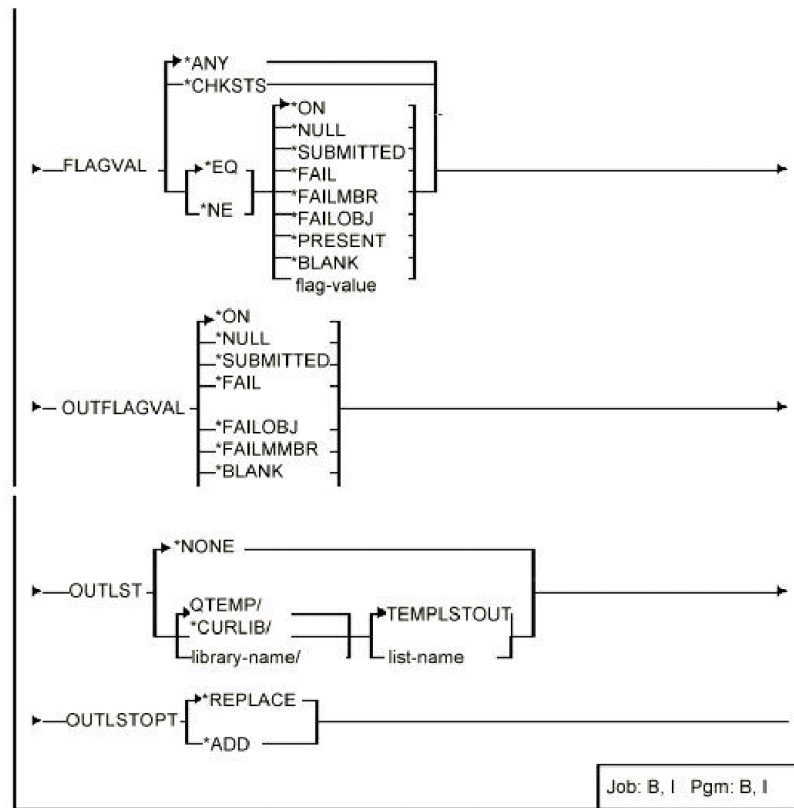


## YCHKLSTE (Check List Entries)

This command checks the entries in an object or member list.

## Syntax Diagram





## Parameters

Parameter	Definition	Value and Description
LSTTYPE	Type of list whose entries are checked	<ul style="list-style-type: none"> <li>■ *OBJ: (default) Object list</li> <li>■ *MBR: Member list</li> </ul>
LST	Qualified name of E list whose entries are checked	<ul style="list-style-type: none"> <li>■ QTEMP/TEMPLST: (default) List name</li> <li>■ *SELECT: Display list of existing lists in specified library</li> </ul>

Parameter	Definition	Value and Description
UPDLST	List update option	<p data-bbox="1320 348 1430 468">Up to two of the following values:</p> <ul style="list-style-type: none"> <li data-bbox="1032 491 1398 579">■ *RMVERR: (default) Removes items from list that are not verified</li> <li data-bbox="1032 604 1414 758">■ *RMVOK: Removes items from list if they are verified. For example, if both the specified source member and object are found</li> <li data-bbox="1032 783 1422 903">■ *FLAGERR: Flags items from list that are not verified. Flag with the flag specified by the OUTFLAGVAL parameter</li> <li data-bbox="1032 928 1422 1050">■ *FLAGOK: Flag the items in the list if they are verified. Flag with the flag specified by the OUTFLAGVAL parameter</li> </ul> <p data-bbox="1320 1087 1430 1528">If more than one value is specified, *RMVERR + FLAGOK and *RMVOK + FLAGERR are the only valid combinations</p>

Parameter	Definition	Value and Description
CHKLIB	Name of the library to use when checking the existence of objects	<ul style="list-style-type: none"> <li>■ *NONE: (default) Do not check object's existence</li> <li>■ *LST: Use the list value. For object lists, the library specified for each object list entry is used; for member lists, an object with the same name as the member is looked for. The source type is determined by the object type. The check is ignored for source types that do not have corresponding objects, e.g. text</li> <li>■ *LIBL: Use the current job's library list to locate objects when checking their existence</li> <li>■ *CURLIB: Use the current library for the invoking job when checking for an object's existence</li> </ul>
CHKFILE	Qualified name of source file to use when checking for the existence of source	<ul style="list-style-type: none"> <li>■ *NONE: (default) do not check for the existence of a corresponding source member</li> <li>■ *LST: use the source file name and member name specified for the list entry. For object lists, this will have been derived from the name held on the compiled object</li> <li>■ *QDFTSRC: use the default source file name according to the source type, e.g. QRPGRSRC for RPG III source, QCLSRC for CL source. Use the object name as the source member name. (Note that YCHKLSTE assumes that Query and DFU execution objects do not have source, unless a source member name is present for the list entry.)</li> </ul>

Parameter	Definition	Value and Description
CHKSTS	Status of list entry values to check: entries must have the specified value to when checking for the existence of source	<ul style="list-style-type: none"> <li>■ *ALL: (default) do not check that list entries have a particular value</li> <li>■ *SUBMITTED: Check that list entries have a value of 'S'</li> </ul>
CHKAUT	Authority to check for object or member existence as specified by the CHKLIB or CHKFILE parameters	<p>*NONE: (default) Do not check for any particular authorities when checking existence of list items</p> <p>i OS object authorities to test. See the <i>IBM i Programmers guide</i> for information on these values</p>

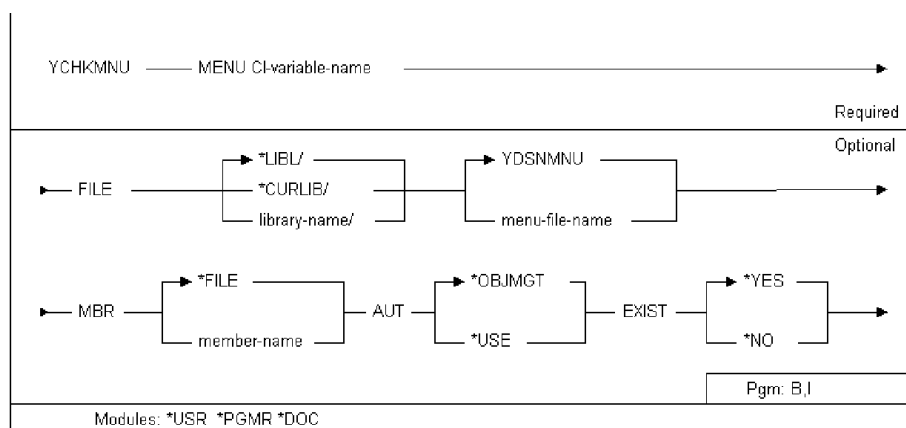
Parameter	Definition	Value and Description
FLAGVAL	Flag value of list entries to check	<ul style="list-style-type: none"> <li>■ *ANY: (default) Check all list entries</li> <li>■ *CHKSTS: Use value specified by CHKSTS parameter</li> </ul> <p>Otherwise, FLAGVAL is a list parameter made up of the following two elements:</p> <p>Relational operator for selection of flags</p> <ul style="list-style-type: none"> <li>■ *EQ: (default) equal to</li> <li>■ *NE: not equal to</li> </ul> <p>Flag value</p> <ul style="list-style-type: none"> <li>■ Single character flag value or one of the special flag values</li> </ul>
OUTFLAGVAL	Single character flag value or one of the special flag values	Flags value of entries when the UPDLST parameter is *FLAGERR or *FLAGOK
OUTLST	Qualified name of the list resulting entries are placed. The output list is the same type as the input list	<ul style="list-style-type: none"> <li>■ *NONE: (default) List entries are not copied to an output list</li> <li>■ QTEMP/TEMPLSTOUT: Default list name</li> </ul>

Parameter	Definition	Value and Description
OUTLSTOPT	Output list replacement option for the list specified by the OUTLST parameter	<ul style="list-style-type: none"> <li>■ *REPLACE: (default) Creates a new output list, replacing any previous list's contents</li> <li>■ *ADD: Adds to any existing list's contents</li> </ul>

## YCHKMNU (Check Menu)

Checks for the existence of a menu file and is intended primarily for internal use by the utilities.

### Syntax Diagram



### Parameters

Parameter	Definition	Value and Description
MENU	CL variable containing the name of the checked menu or a special value. Must be a character variable, ten bytes long	If *NONE, *ALL, *SELECT, or a generic name is specified, then no menu existence check is made
FILE	Qualified name of menu file containing menu	*LIBL/YDSNMNU: (default) Menu file name

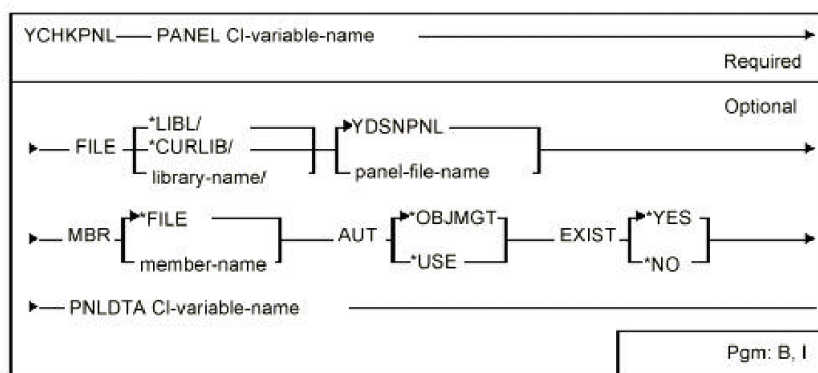


Parameter	Definition	Value and Description
MBR	Name of member in file containing menu	*FILE: (default) Member name is same as file name
AUT	Authorization rights to check	<ul style="list-style-type: none"> <li>■ *OBJMGT: (default) Corresponds to authority rights *OBJOPR, *ADD, *READ, *DLT, *UPD for the menu file</li> <li>■ *USE: Corresponds to authority rights *OBJOPR AND *READ for the menu file</li> </ul>
EXIST	Check whether specified menu exists	<ul style="list-style-type: none"> <li>■ *YES: (default) Issue escape message if the menu specified by the MENU parameter is not found</li> <li>■ *NO: Issue escape message if menu is found</li> </ul>

## YCHKPNL (Check Panel Design)

Checks for the existence of a panel design, and/or a panel design file. This command is intended primarily for internal use by the utilities.

### Syntax Diagram



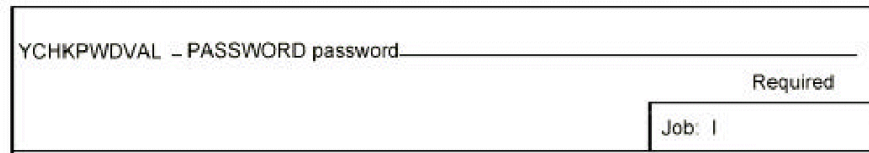
## Parameters

Parameter	Definition	Value and Description
PANEL	CL variable containing the name of the checked panel design. Must be a character variable ten characters long.	The following special values can be used: <ul style="list-style-type: none"> <li>■ *SELECT: The panel design selection display is presented</li> <li>■ *NONE, generic name, or *ALL: no panel check is to be performed</li> </ul>
FILE	Qualified name of the file containing panel design	*LIBL/YDSNPNL: (default) Panel design file name
MBR	Members file name containing panel design	*FILE: (default) The member has the same name as the file
AUT	Authority to check	<ul style="list-style-type: none"> <li>■ *OBJMGT: (default) Checks that the user has *OBJOPR, *ADD, *READ, *DLT and *UPD authority for the panel file</li> <li>■ *USE: Checks that the user has *OBJOPR and *READ authority for the panel file</li> </ul>
EXIST	Panel checking option; only applies if a panel design name is specified	<ul style="list-style-type: none"> <li>■ *YES: (default) The panel design must exist</li> <li>■ *NO: The panel design cannot exist</li> </ul>
PNLDTA	CL variable where the panel title is recorded	Must be a character variable 80 characters long. You may obtain a layout of the file that defines the subfields of this variable by using the command Document file (YDOCF)
YDOCF YDSNPNL		

## YCHKPWDVAL (Check New Password)

This command checks a password to ensure that it meets the specified criteria.

## Syntax Diagram



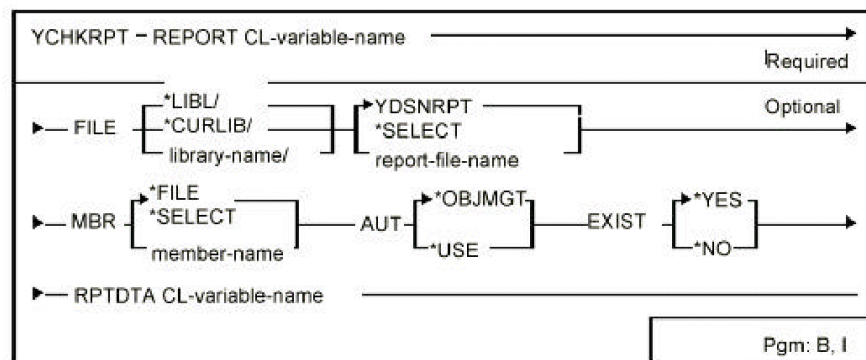
## Parameters

Parameter	Definition	Value and Description
PASSWORD	Password to be checked	

## YCHKRPT (Check Report Design)

This command checks for the existence of an E report design, and/or report design file. This command is intended primarily for internal use by the utilities.

## Syntax Diagram



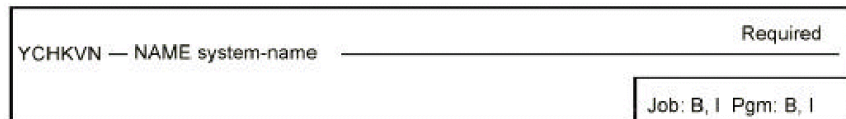
## Parameters

Parameter	Definition	Value and Description
REPORT	CL variable containing the name of the checked report design or a special value. Must be a character variable ten characters long	The following special values may be used: <ul style="list-style-type: none"> <li>■ *SELECT: The report design selection display appears</li> <li>■ *NONE, generic name, or *ALL: no report check is performed</li> </ul>
FILE	Qualified name of a file containing report design.	*LIBL/YDSNRPT: (default) Report file name file must have report design format
MBR	Name of member in the file containing report design.	*FILE: (default) The member has the same name as the file
EXIST	Report checking option; only applies if a report design name is specified.	<ul style="list-style-type: none"> <li>■ *YES: (default) The report design must exist</li> <li>■ *NO: The report design must not exist</li> </ul>
AUT	Authority to check	<ul style="list-style-type: none"> <li>■ *OBJMGT: (default) Checks that the user has *OBJOPR, *ADD, *READ, *DLT and *UPD authorities to the report file</li> <li>■ *USE: Check that the user has *OBJOPR and *READ authorities to the report file</li> </ul>
RPTDTA	CL Variable that have report title information returned to it. Must be a character variable 80 characters long You may obtain a layout of the report title record by using the command Document file (YDOCF):	
YDOCF	YDSNRPT	

## YCHKVN (Check System Name Is Valid)

This command checks that a character string is a valid system name. This command is intended primarily for internal use by the utilities.

### Syntax Diagram



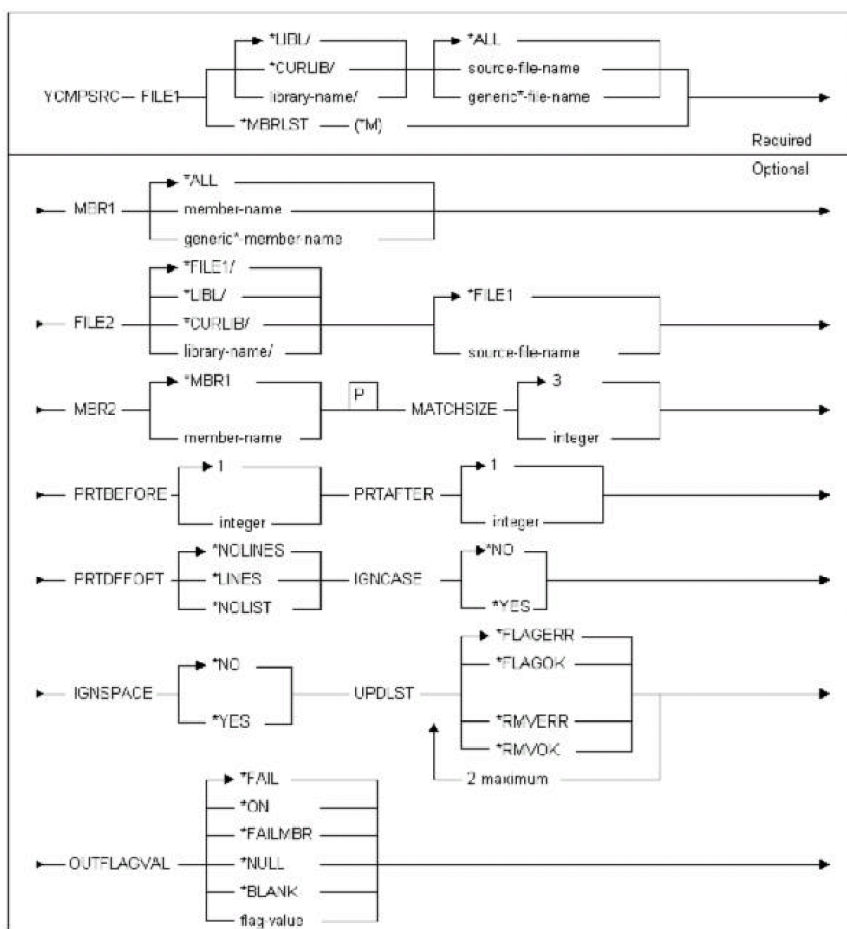
### Parameters

Parameter	Definition	Value and Description
NAME	Name to be checked and cannot exceed ten characters or have embedded blanks.	

## YCMPSRC (Compare Source)

Compares a pair of source file members and reports on any mismatches. Multiple members can be compared and the degree of detail reported can be controlled.

## Syntax Diagram



## Parameters

Parameter	Definition	Value and Description
FILE1	Qualified name of source file whose records are compared with those of the file specified in the FILE2 parameter	<ul style="list-style-type: none"> <li>■ *MBRLST: (default) The source file is obtained from the member list specified in the MBRLST parameter. *MBRLST can be abbreviated to *M</li> <li>■ *ALL: All of the source files</li> </ul>

Parameter	Definition	Value and Description
MBR1	The name of source member specified by parameter FILE1 compared with member specified in parameter MBR2	*ALL: (default) All the members of file specified by FILE1 participate in the comparison
FILE2	Qualified name of source file whose records are compared with those of the file specified in the FILE1 parameter.	*FILE1: (default) Second member compared is obtained from the file specified in parameter FILE1.  If a generic file name is specified for the FILE1 parameter, or a value of FILE1(*ALL), or FILE1(*MBRLST), then FILE2(*FILE1) must be specified

Parameter	Definition	Value and Description
MBR2	Name of source member specified by parameter FILE2 compared with member specified in parameter MBR1	*MBR1: (default) Name of second member is the same as that specified in the MBR1 parameter.  If FILE1 is the same as FILE2, the MBR1 should not be the same as MBR2.
MATCHSIZE	Number of lines required for a match	3: Three lines must match
PRTBEFORE	Number of preceding source lines to be printed when a mismatch is encountered	1: Print the line before the mismatch
PRTAFTER	Number of source lines following the mismatch that must be printed	1: Print the line after the mismatch



---

Parameter	Definition	Value and Description
PRTDFFOPT	Degree of detail to be reported	<ul style="list-style-type: none"><li>■ *NOLINES: (default) Print the mismatched lines without the associated sequence numbers</li><li>■ *LINES: Print the mismatched lines with the associated sequence numbers</li><li>■ *NOLIST: No mismatch details were reported. Indicate whether or not the source file members match</li></ul>
IGNCASE	Case-sensitivity option	<ul style="list-style-type: none"><li>■ *NO: (default) Treat upper and lower case characters as different for comparison purposes</li><li>■ *YES: Ignore any differences between upper and lower case for comparison purposes. Thus the character 'a' matches with both 'a' and 'A'</li></ul>
IGNSPACE	Blank character sensitivity option	<ul style="list-style-type: none"><li>■ *NO: (default) All characters, including blanks, in both lines undergoing a match-check must be the same</li><li>■ *YES: Blanks are ignored when comparing source lines. The two lines shown above would be regarded as matching</li></ul>

---

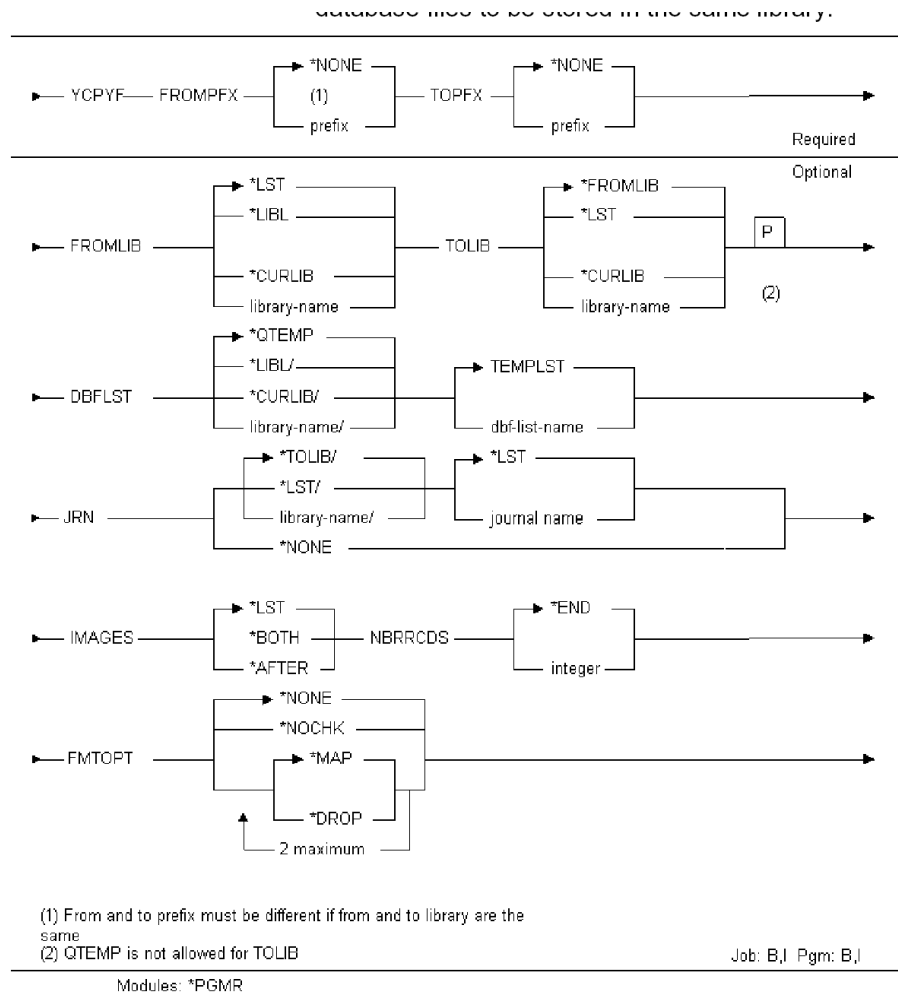
Parameter	Definition	Value and Description
UPDLST	List update option	<p>Up to two of the following values:</p> <ul style="list-style-type: none"> <li>■ *FLAGERR: (default) If any line of the two members being compared do not match, then the list entry for MBR1 is flagged with the value specified by the OUTFLAGVAL</li> <li>■ *FLAGOK: If all lines of the two members being compared match, then the list entry for MBR1 is flagged with the value specified by the OUTFLAGVAL</li> <li>■ *RMVERR: If any line of the two members being compared does not match then the list entry for MBR1 is removed from the list</li> <li>■ *RMVOK: If all lines of the members being compared match, then the list entry for MBR1 is removed from the list</li> </ul> <p>If more than one value is specified, *RMVERR + *FLAGOK and *RMVOK + *FLAGERR are the only valid combinations</p>

Parameter	Definition	Value and Description
	Flag value used when the UPDLST parameter is *FLAGERR or *FLAGOK	*FAIL: (default) Flag members do not match as 'failed'  Single character flag value or one of the special flag values
	Qualified name of a listed member	QTEMP/T EMPLST: (default) List name
	List option	<ul style="list-style-type: none"> <li>■ *NO: (default) No editing is required</li> <li>■ *YES: Invoke the edit member list function to edit the list before executing the scan</li> </ul>

## YCPYF (Copy Files)

This command copies a list of database physical files. This allows a synchronized "snapshot" of the contents of a list of files that can be used as a recovery, testing or debugging aid. A prefix facility enables many snapshots of the same database files to be stored in the same library.

## Syntax Diagram



## Parameters

Parameter	Definition	Value and Description
	Prefix part of the file name; and is replaced by the TOPFX value in the name of the copied version of the file	<ul style="list-style-type: none"> <li>■ *NONE: (default) No prefix is used</li> <li>■ Character, up to three digits</li> </ul>
	Prefix that replaces the FROMPFX value in the name of the copied files	<ul style="list-style-type: none"> <li>■ *NONE: (default) Copied file names are to be the same as the file names</li> <li>■ Character, up to three digits, no imbedded blanks</li> </ul>
	Library containing copied files	<ul style="list-style-type: none"> <li>■ *LST: (default) Use library name or names given by the list entry for each file</li> <li>■ *LIBL: Use library list to find 'from' file</li> </ul>
	Copies are placed in the library. If copies already exist in the 'to' library their contents are replaced. If copies do not exist in the 'to' library they are created	<ul style="list-style-type: none"> <li>■ *FROMLIB: (default) Same as value specified by FROMLIB parameter</li> <li>■ *LST: Use library name or names given by the list entry for each file</li> </ul>
	Qualified name of a database file list that specifies the names of the copied files	<ul style="list-style-type: none"> <li>■ QTEMP/TEMPLST: (default) List name</li> </ul>

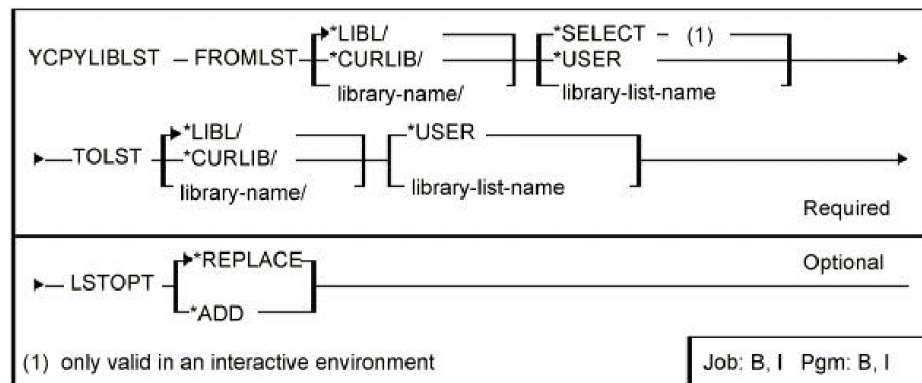
Parameter	Definition	Value and Description
	The journal name used after the copy is made, if the file specified by the TOFILE parameter already exists as journal	<ul style="list-style-type: none"> <li>■ *NONE: Do not restart journal</li> <li>■ The following special value can be specified for the journal name:</li> <li>■ *LST: Use journal named for file in list</li> <li>■ The following special values can be specified for the journal library name:</li> <li>■ *TOLIB: (default) Journal library is the same as that specified for the TOLIB parameter</li> <li>■ *LST: Use the journal library named for file in the database list</li> <li>■ Journaling is restarted if the file was already processed</li> </ul>
	Nature of journaling	<ul style="list-style-type: none"> <li>■ *LST: (default) Before or after images are kept according to the value specified for file in database list</li> <li>■ *BOTH: Before and after images are kept</li> <li>■ *AFTER: Only after images are kept</li> </ul>
	Number of records to copy	*END: (default) Copy until end of file

Parameter	Definition	Value and Description
	Format mapping option used when copying to existing files	<ul style="list-style-type: none"> <li>■ *NONE: (default) Formats must match in both files</li> <li>■ *NOCHK: Copy even if formats do not match</li> <li>■ *MAP: If formats differ map fields by name</li> <li>■ *DROP: If formats differ drop fields which cannot be mapped</li> </ul>

## YCPYLIBLST (Copy Library List)

This command copies a library list.

### Syntax Diagram



### Parameters

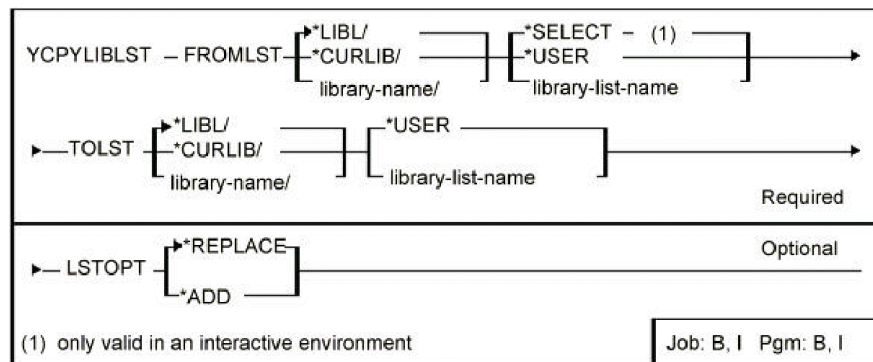
Parameter	Definition	Value and Description
FROMLST	Qualified name of the copied library list	<ul style="list-style-type: none"> <li>■ *SELECT: Displays the existing lists</li> <li>■ *USER: List has the same name as invoking job's user profile</li> </ul>

Parameter	Definition	Value and Description
TOLST	Qualified name of the new library list	*USER: List has same name as invoking job's user profile
LSTOPT	List replacement option	<ul style="list-style-type: none"> <li>■ *REPLACE: (default) Replaces an existing list; a list of the specified name must already exist</li> <li>■ *ADD: Creates a new list; no list of the specified name can exist</li> </ul>

## YCPYLST (Copy List)

This command copies and optionally renames an object, member, format or database file list.

### Syntax Diagram





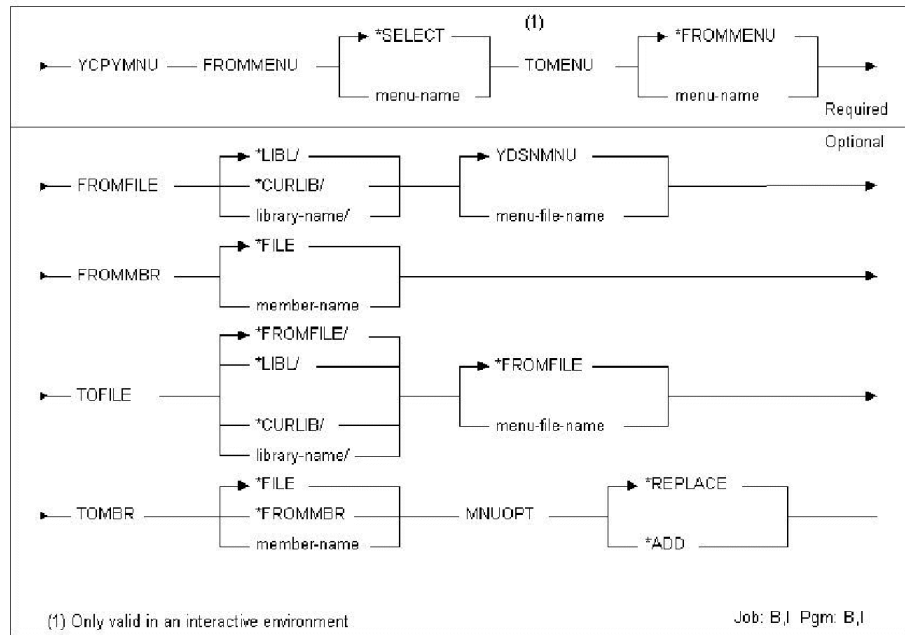
## Parameters

Parameter	Definition	Value and Description
	Identifies the copied list type	<ul style="list-style-type: none"> <li>■ *DBF: Database file list</li> <li>■ *FMT: Format list</li> <li>■ *MBR: Member list</li> <li>■ *OBJ: Object list</li> </ul>
	Qualified name of the copied list	
	Qualified name of the list to which is copied by FROMLST	
	List option	<ul style="list-style-type: none"> <li>■ *REPLACE: (default) Replaces any existing contents of list specified by TOLST</li> <li>■ *ADD: Adds to current TOLST contents</li> </ul>

## YCPYMNU (Copy Menu)

This command copies a menu.

## Syntax Diagram



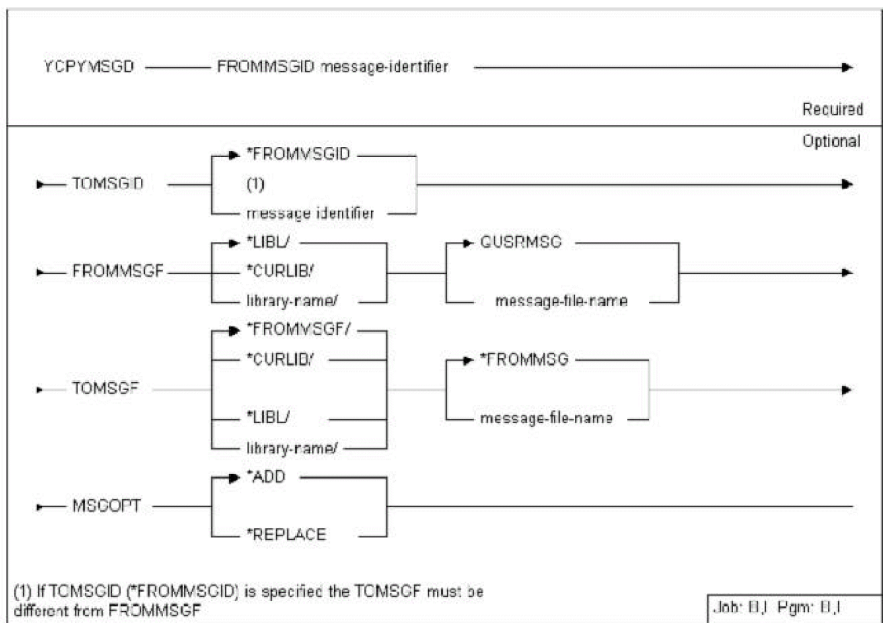
## Parameters

Parameter	Definition	Value and Description
FROMMENU	Name of the copied menu. The menu must exist in the FROMFILE and FROMMBR named below	<ul style="list-style-type: none"> <li>■ *SELECT: The menu selection displays are presented</li> </ul>
TOMENU	Name of the created menu. The menu must not already exist in the TOFILE and TOMBR named below	<ul style="list-style-type: none"> <li>■ *FROMMENU: The 'to menu' name is the same as the 'from menu'.</li> <li>■ This is only permitted if the values of FROMFILE and FROMMBR are not the same as those of TOFILE and TOMBR</li> </ul>
FROMFILE	Qualified name of file containing menu that is to be copied	<ul style="list-style-type: none"> <li>■ *LIBL/YDSNMNU: (default) Menu file name. File must be created with the YCRTDSNF command, TYPE(*MNU)</li> </ul>
FROMMBR	Name of member in FROMFILE	<ul style="list-style-type: none"> <li>■ *FILE: (default) Member name is same as FROMFILE</li> </ul>
TOFILE	Qualified name of the file that contains the copied menu	<ul style="list-style-type: none"> <li>■ *FROMFILE: (default) File name is same as FROMFILE. File must be created with the command YCRTDSNF, TYPE(*MNU)</li> </ul>
TOMBR	Name of member in TOFILE	<ul style="list-style-type: none"> <li>■ *FILE: (default) Member name is same as TOFILE</li> <li>■ *FROMMBR: Member name is same as FROMMBR</li> </ul>
MENUOPT	Menu option	<ul style="list-style-type: none"> <li>■ *REPLACE: (default) Replace any existing contents of menu specified by TOMNU</li> <li>■ *ADD: Only copy if TOMNU does not already exist</li> </ul>

## YCPYMSGD (Copy Message Description)

This command copies a message description.

### Syntax Diagram



## Parameters

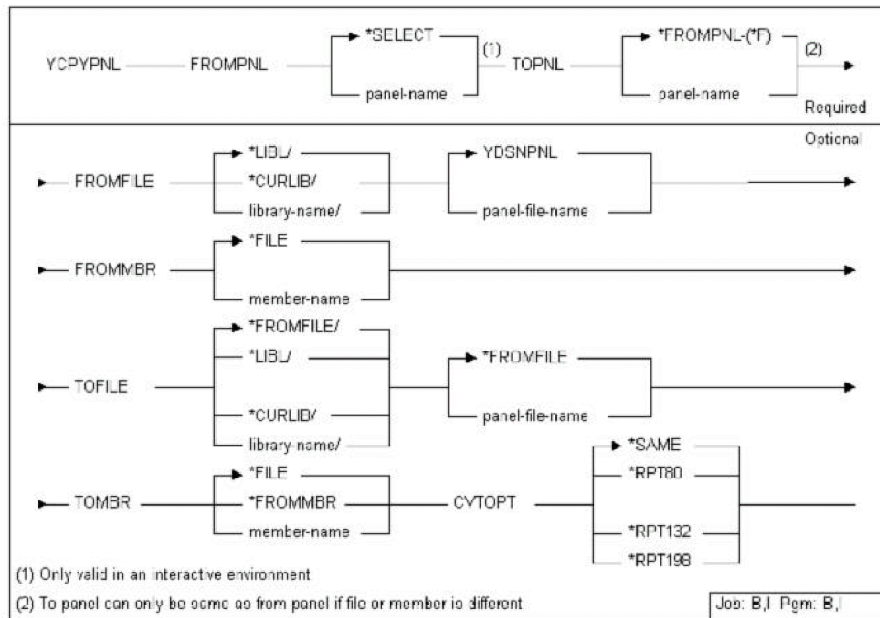
Parameter	Definition	Value and Description
	Identifies the copied message description. Must be valid i OS message identifier	
	Identifies the added message description	<ul style="list-style-type: none"> <li>■ *FROMMSGID: (default) The same value as that specified by the FROMMSGID parameter. Must be valid i OS message identifier</li> </ul>
	Qualifying name of message file containing copied message description	<ul style="list-style-type: none"> <li>■ QUSRMSG: (default) Message file name.</li> </ul>
	Qualifying name of message file to which message description is to be copied	<ul style="list-style-type: none"> <li>■ *FROMMSGF: (default) The TOMSGF is the same name as that specified by the FROMMSGF parameter</li> </ul>

Parameter	Definition	Value and Description
	Option to replace any existing message in the TOMSGF or to add it if it is not already there	<ul style="list-style-type: none"> <li>■ *ADD: (default) Add the copied message to the TOMSGF; if the message already exists in the TOMSGF, do not copy</li> <li>■ *REPLACE: If the message is present in the TOMSGF, replace it with the copied message. If the message is not present in the TOMSGF, add it</li> </ul>

## YCPYPNL (Copy Panel Design)

This command copies a panel design.

### Syntax Diagram



## Parameters

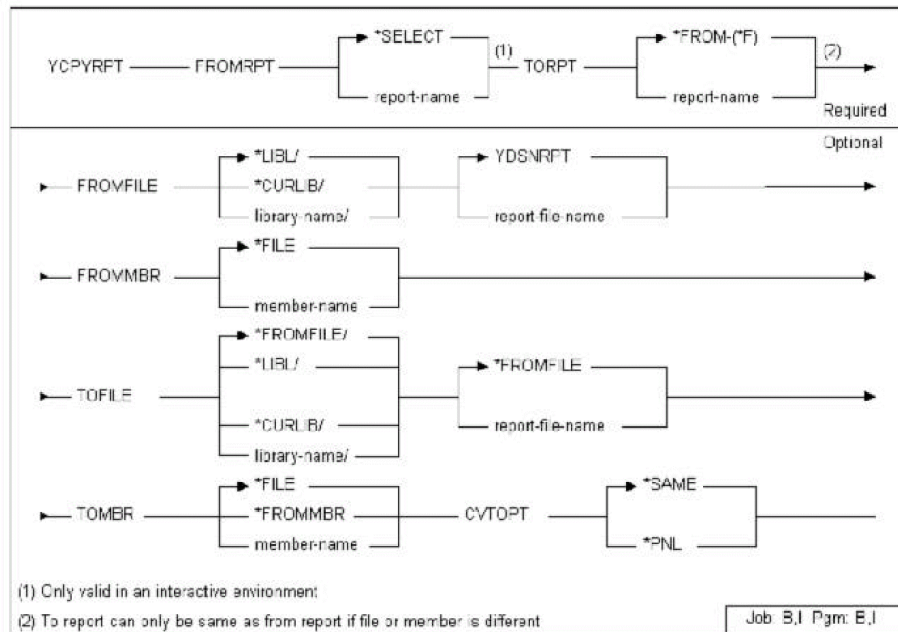
Parameter	Definition	Value and Description
FROMPNL	Name of the copied panel design	<ul style="list-style-type: none"> <li>■ *SELECT: The panel selection display is presented</li> </ul>
TOPNL	Name of new panel design	<ul style="list-style-type: none"> <li>■ *FROMPNL: The new panel is to have the same name as the original.</li> <li>■ Only allowed if the values of the TOFILE or TOMBR parameters are different from those of the FROMFILE or FROMMBR parameters</li> </ul>
FROMFILE	Qualified name of the file containing panel design	<ul style="list-style-type: none"> <li>■ *LIBL/YDSNPNL: (default) Panel file name</li> <li>■ The file must have been created with the command Create Design File (YCRTDSNF)</li> </ul>
FROMMBR	Name of member in file containing panel design	<ul style="list-style-type: none"> <li>■ *FILE: (default) The member has the same name as that specified by the FROMFILE parameter</li> </ul>
TOFILE	Qualified name of panel design file to contain copied designs	<ul style="list-style-type: none"> <li>■ *FROMFILE: (default) The file has the same name as the from file</li> <li>■ File must be design file unless CVTOPT(*RPT) is specified, in which case it must be a report design file. (Both panel and report designs can be created with the YCRTDSNF command)</li> </ul>
TOMBR	Name of member in destination file	<ul style="list-style-type: none"> <li>■ *FILE: (default) The member has the same name as the destination file name</li> <li>■ *FROMMBR: The member has the same name as FROMMBR</li> </ul>

Parameter	Definition	Value and Description
CVTOPT	Convert option	<ul style="list-style-type: none"> <li>■ *SAME: (default) Do not convert panel design</li> <li>■ *RPT80: Convert panel design into a report design: 80 columns wide</li> <li>■ *RPT132: Convert panel design into a report design: 132 columns wide</li> <li>■ *RPT198: Convert panel design into a report design: 198 columns wide</li> </ul>

## YCPYRPT (Copy Report Design)

This command copies a report design.

### Syntax Diagram





## Parameters

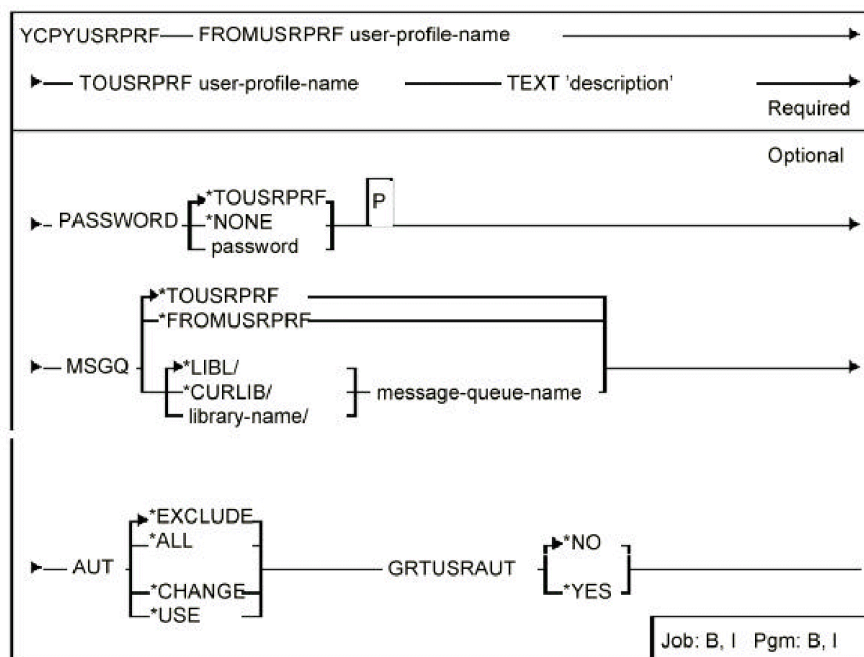
Parameter	Definition	Value and Description
	Name of report copied design	<ul style="list-style-type: none"> <li>■ *SELECT: The report selection display is presented</li> </ul>
	Name of new report design	<ul style="list-style-type: none"> <li>■ *FROMRPT: The new report has the same name as the original. Only allowed if value of TOFILE or TOMBR is different from that of FROMFILE or FROMMBR</li> </ul>
	Qualifying name of file containing report design	<ul style="list-style-type: none"> <li>■ *LIBL/YDSNRPT: (default) Report file name. File must have report design format</li> </ul>
	Name of member in file containing report design	<ul style="list-style-type: none"> <li>■ *FILE: (default) The member has the same name as the file specified by the FROMFILE parameter</li> </ul>
	Qualifying name of report file to contain copied designs	<ul style="list-style-type: none"> <li>■ *FROMFILE: (default) The file has the same name as the file specified by the FROMFILE parameter</li> <li>■ File must be a report design file unless CVTOPT(*PNL) is specified, in which case it must be a panel design file (both can be created with the YCRTDSNF command)</li> </ul>

Parameter	Definition	Value and Description
	Name of member in destination file	<ul style="list-style-type: none"> <li>■ *FILE: (default) The member has the same name as the file specified by the TOFILE parameter</li> <li>■ *FROMMBR: The member has the same name as FROMMBR</li> </ul>
	Convert option	<ul style="list-style-type: none"> <li>■ *SAME: (default) Do not convert report design</li> <li>■ *PNL: Convert report design into a panel design</li> </ul>

## YCPYUSRPRF (Copy User Profile)

This command copies a specified user profile.

### Syntax Diagram



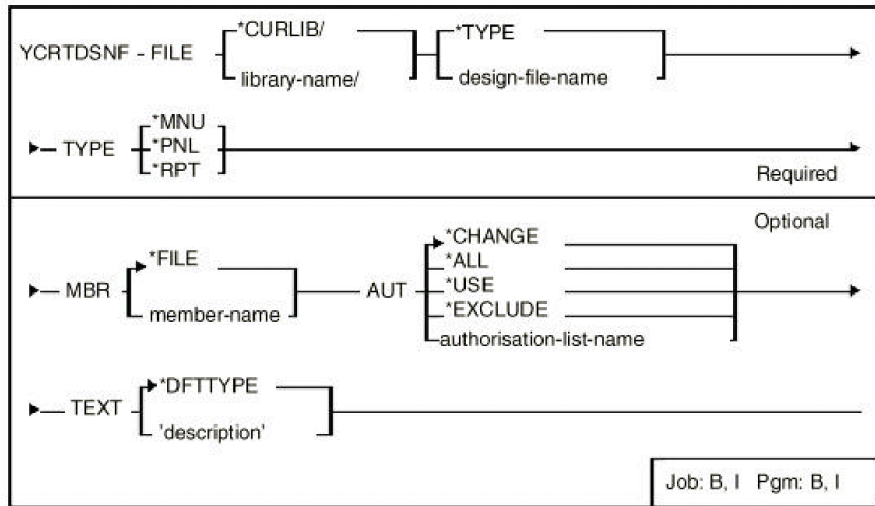
## Parameters

Parameter	Definition	Value and Description
FROMUSRPRF	Name of user profile which is to be copied	
TOUSRPRF	New user profile name	
TEXT	User profile text	
PASSWORD	User password that must be a valid name	<ul style="list-style-type: none"> <li>■ *TOUSRPRF: (default) Adopt the new profile name as the password</li> <li>■ *NONE: New profile has no password</li> </ul>
AUT	Authority given to the public for the new user profile	<ul style="list-style-type: none"> <li>■ EXCLUDE: (default) No public authority is given</li> <li>■ *ALL: All authorities are given to the public</li> <li>■ *USE: Normal authority to use the profile is given to the public</li> <li>■ *CHANGE: Normal authority to change the profile is given to the public</li> </ul>
MSGQ	Qualified name of message queue associated with the new user profile	<ul style="list-style-type: none"> <li>■ *TOUSRPRF: (default) Use default message queue with same name as the new user profile</li> <li>■ *FROMUSRPRF: Use default message queue with same name as the copied user profile</li> </ul>
GRTUSRAUT	Specifies whether to grant the copied from profile's authorities to the new profile	<ul style="list-style-type: none"> <li>■ *NO: (default) Do not grant the authority</li> <li>■ *YES: Grant the authority of the copied profile to the new profile</li> </ul>

## YCRTDSNF (Create Design File)

Creates database files to contain menu, report or panel designs. Files are created with the correct format and any required dependent logical views. This is the recommended way of creating design files.

### Syntax Diagram



### Parameters

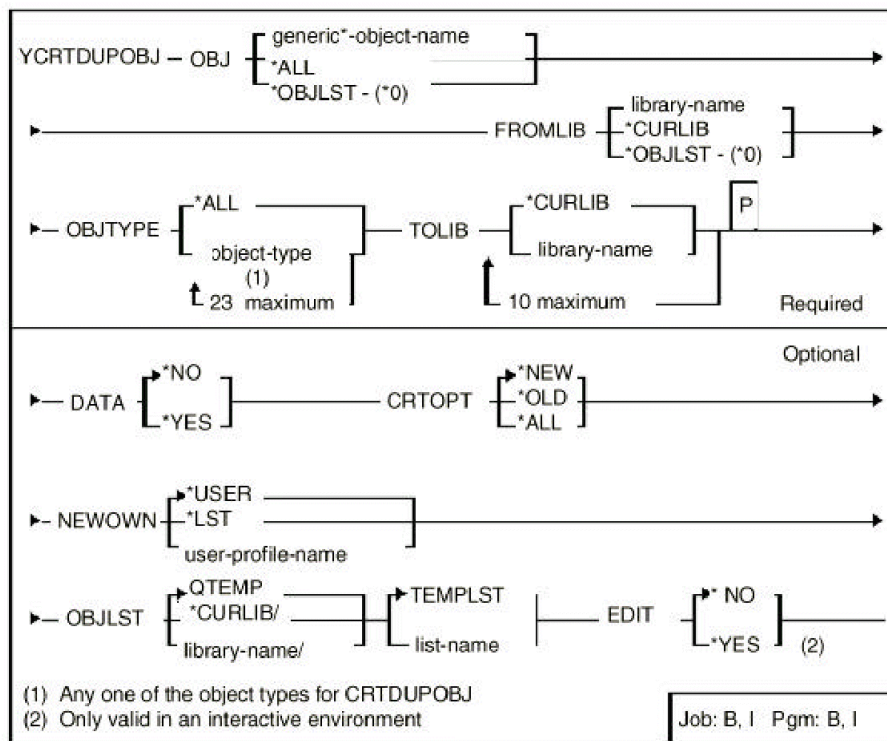
Parameter	Definition	Value and Description
FILE	Qualified name of file that is to be created	<ul style="list-style-type: none"> <li>■ *TYPE: (default) Use default file name for type, for example if type is *MNU, YDSNMNU, if type is *PNL, YDSNPNL, if type is *RPT, YDSNRPT</li> <li>■ A library must be specified</li> </ul>
TYPE	Type of design file that is to be created	<ul style="list-style-type: none"> <li>■ *MNU: (default) Menu file</li> <li>■ *PNL: Panel design file</li> <li>■ *RPT: Report design file</li> <li>■ MBR: Name of member in file</li> <li>■ *FILE: (default) Member name is the same as file name</li> </ul>

AUT	Public authority of created file	<ul style="list-style-type: none"> <li>■ *CHANGE: (default) The user has object operational rights and all data rights to the file</li> <li>■ *ALL: Everyone is authorized to do anything to the file, except transfer ownership</li> <li>■ *USE: The user has object operational rights and read data rights</li> <li>■ *EXCLUDE: Prevents the user from accessing the file</li> <li>■ Authorization list name: The name of an authorization list whose authority is used for the file</li> </ul>
TEXT	Descriptive text for member or file	<ul style="list-style-type: none"> <li>■ *DFTTYPE: (default) Use default text for type; if type is *MNU, Menu design file, if type is *PNL, Panel design file, if type is *RPT, Report design file</li> </ul>

## YCRTDUPOBJ (Create Duplicate Objects)

This command creates duplicate objects in several libraries. Objects to be duplicated can be specified generically, or via a list. This also provides a means of replicating a change made to a master library into several parallel libraries.

## Syntax Diagram



## Parameters

Parameter	Definition	Value and Description
OBJ	Generic name of duplicated objects	<ul style="list-style-type: none"> <li>*ALL: All objects</li> <li>*OBJLST: Objects are specified by a list, whose name is given by the OBJLST parameter</li> </ul>
FROMLIB	Library containing the objects that are to be duplicated	<ul style="list-style-type: none"> <li>*OBJLST: The name of the library containing the objects is specified by a list, whose name is given by the OBJLST parameter</li> <li>*CURLIB: Duplicate the objects in the current library of the invoking job</li> </ul>

Parameter	Definition	Value and Description
OBJTYPE	List of types of object that are to be duplicated	<ul style="list-style-type: none"> <li>■ *ALL: All object types that are eligible for duplication by the i OS CRTDUPOBJ command</li> </ul>
TOLIB	List of up to ten libraries in which to place copies of the duplicated objects. The libraries specified with the TOLIB parameter must not be specified in the system part of the current job's library list	<ul style="list-style-type: none"> <li>■ *CURLIB: Duplicate the objects to the current library of the invoking job</li> </ul>
DATA	Duplicate data option	<ul style="list-style-type: none"> <li>■ *NO: (default) Do not duplicate data for data objects</li> <li>■ *YES: Duplicate data for data objects</li> </ul>
CRTOPT	Duplicate existing objects option	<ul style="list-style-type: none"> <li>■ *NEW: (default) Only duplicate objects that do not already exist in the destination library</li> <li>■ *OLD: Only duplicate objects that already exist in the destination library</li> <li>■ *ALL: Duplicate all objects</li> </ul>
NEWOWN	User profile to own duplicated objects	<ul style="list-style-type: none"> <li>■ *USER: (default) Owner is the current user</li> <li>■ *LST: Owner of each duplicated object is the same as value for owner in the list</li> </ul>

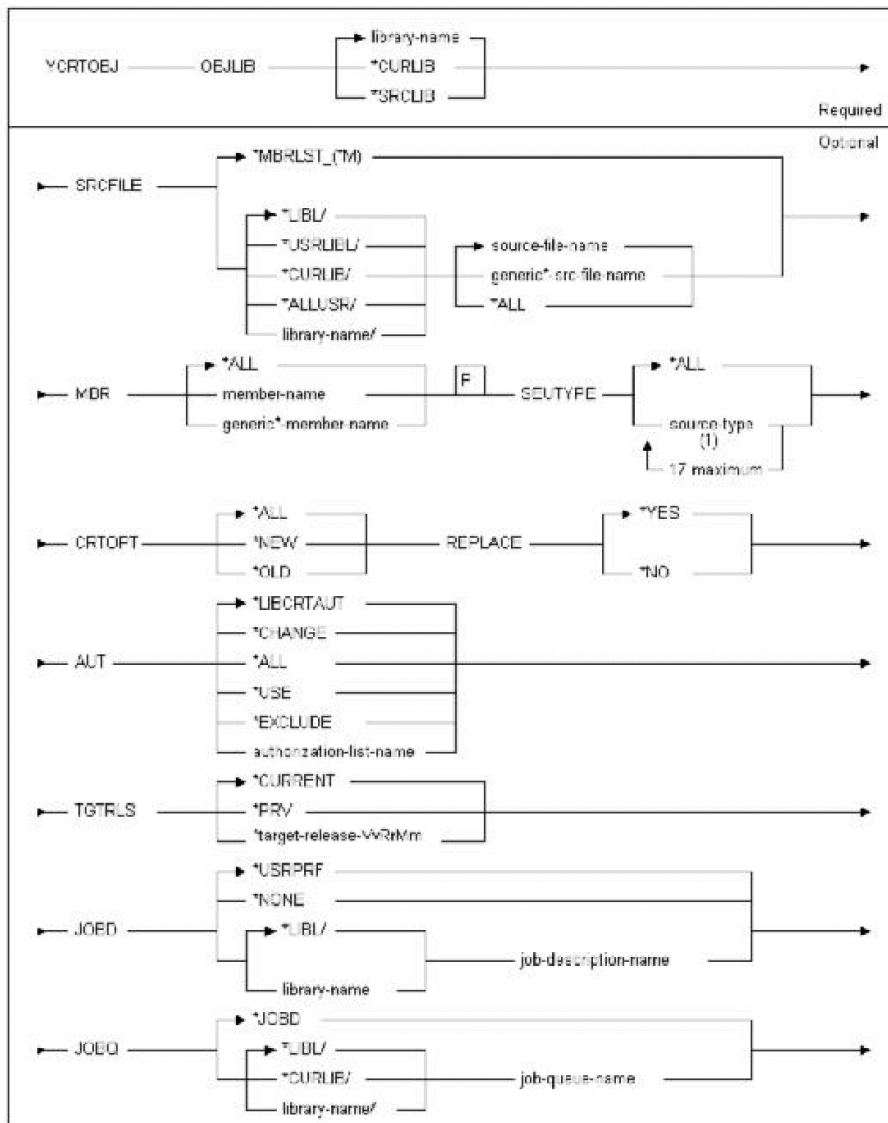
Parameter	Definition	Value and Description
OBJLST	Qualified name of object list of objects that are to be duplicated	<p>QTE MP/T EMPL ST: (default) List name</p> <p>If OBJ(* OBJL ST) is specif ied the existi ng list is used. Other wise a new list is creat ed from the para mete rs specif ied</p>
EDIT	Edit list option	<ul style="list-style-type: none"> <li>■ *NO: (default) The list edit function is not invoked</li> <li>■ *YES: Edit the list once built: valid only for interactive programs</li> </ul>

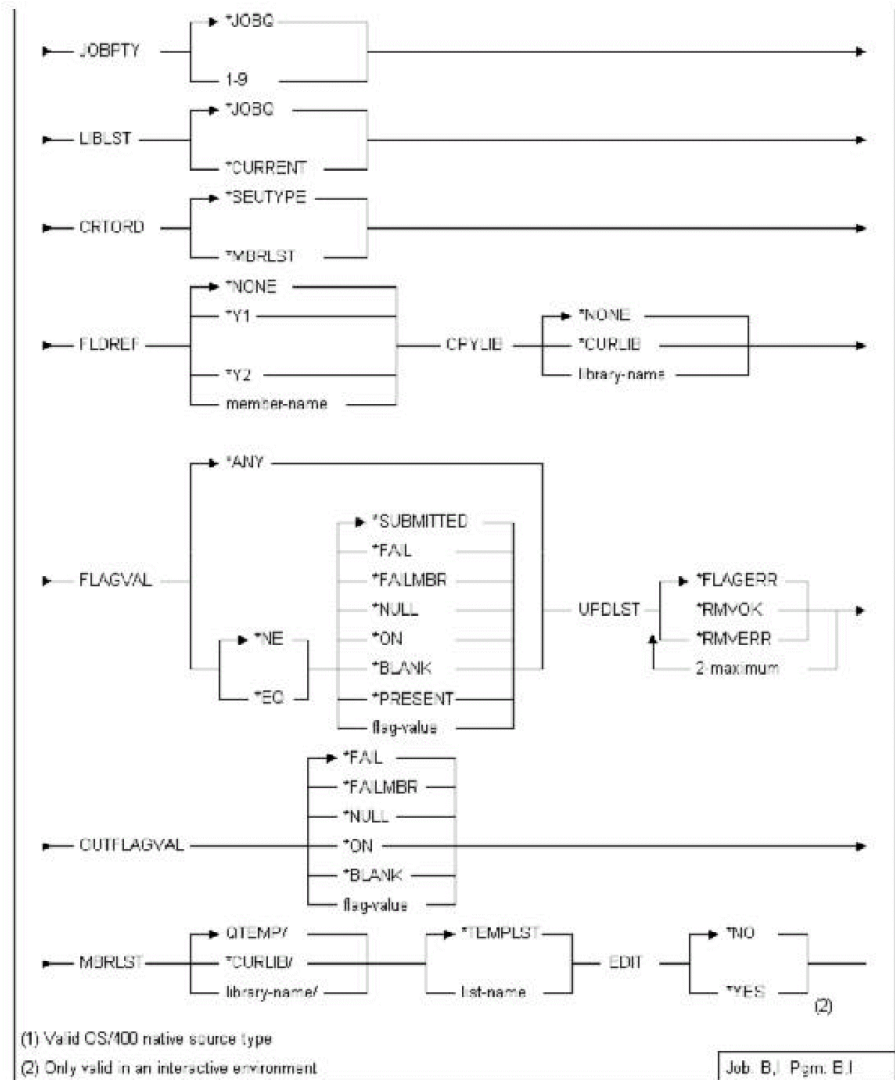


## YCRTOBJ (Create Objects)

This command compiles a list of source file members. The list is specified by a generic name, or the member list function.

## Syntax Diagram





## Parameters

Parameter	Definition	Value and Description
OBJLIB	Library where compiled objects are placed	<ul style="list-style-type: none"><li>■ *CURLIB: (default) Place objects in current library for the invoking job</li><li>■ *SRCLIB: Place each object in the library from which the source member for that object was obtained</li></ul>
SRCFILE	Qualified generic name of the file containing source members	<ul style="list-style-type: none"><li>■ *MBRLST: (default) Locate source members to be compiled by the member list specified by the MBRLST parameter</li><li>■ *ALL: all files</li></ul>
MBR	Generic member name of members that are to be compiled	<ul style="list-style-type: none"><li>■ *ALL: (default) Compile all members</li></ul>
SEUTYPE	List of SEU source types of members that are to be compiled	<ul style="list-style-type: none"><li>■ *ALL: (default) All source types in the file are compiled, including certain non-native source types</li><li>■ Must be a valid i OS native source type.</li></ul>
CRTOPT	Create option	<ul style="list-style-type: none"><li>■ *ALL: (default) All specified members are compiled</li><li>■ *OLD: Only members for objects that already exist in the create library are compiled</li><li>■ *NEW: Only members for objects that do not already exist in the create library are compiled</li></ul>

Parameter	Definition	Value and Description
REPLACE	Specifies replace option to use on create command	<ul style="list-style-type: none"> <li>■ *YES: (default) Specifies a new object are created and any existing object of the same name in the specified library are moved to library QRPLOBJQRPLOBJ i OS library YCRTOBJ.</li> <li>■ *NO: Specifies a new object is not created if an object with the same name already exists in the specified library</li> </ul>
TGTRLS	Specifies Target Release option to use on the create command in the form VvRrMm, where <i>v</i> is the i OS version, <i>r</i> is the i OS release number, and <i>m</i> is the i OS machine level; for example, V2R1M0, or one of the following special values	<ul style="list-style-type: none"> <li>■ *CURRENT: (default) Generate program objects to run on the current release of i OS</li> <li>■ *PRV: Generate program objects to run on the previous release of i OS</li> </ul>
AUT	Public authority of compiled object	<ul style="list-style-type: none"> <li>■ LIBCRTAUT: (default) The authority is specified by the Create Authority (CRTAUT) attribute of the library where the object is compiled</li> <li>■ *CHANGE: The user has object operational rights and all data rights to the object</li> <li>■ *ALL: Everyone is authorized to do anything to the object, except transfer ownership</li> <li>■ *USE: The user has object operational rights and read data rights</li> <li>■ *EXCLUDE: Prevents the user from accessing the object</li> <li>■ Authorization list name: the name of an authorization list whose authority is used for the object</li> </ul>

Parameter	Definition	Value and Description
JOB	Qualified name of used job description	<ul style="list-style-type: none"><li>■ *USRPRF: (default) Use default job description for user profile</li><li>■ *NONE: Create objects interactively</li></ul>
JOBQ	Qualified name of compiled job queue	<ul style="list-style-type: none"><li>■ *JOBQ: (default) Use the job queue specified by the job description named with the JOBQ parameter</li></ul>
JOBPTY	Job scheduling priority 1 (high), to 9 (low)	<ul style="list-style-type: none"><li>■ *JOBQ: (default) Use priority on job description</li></ul>
LIBLST	Uses initial library list for compilation, either qualified name of a library list or one of the following special values	<ul style="list-style-type: none"><li>■ *JOBQ: (default) Use library list specified by the job description named with the JOBQ parameter</li><li>■ *CURRENT: Use the current library list of the job which invokes the YCRTOBJ command</li></ul>

Parameter	Definition	Value and Description
CRTORD	Order in which to create objects	<ul style="list-style-type: none"> <li>■ *SEUTYPE: (default) submit compilations in the following order: <ul style="list-style-type: none"> <li>– Field reference file, if any: see FLD REF parameter below</li> <li>– Physical files</li> <li>– Logical files and Commands</li> <li>– Device files</li> <li>– All other objects</li> </ul> </li> <li>■ *MBRLST: (default) submit compiles in the order in which member names appear in the member list</li> </ul>

Parameter	Definition	Value and Description
FLDREF	Name of field reference file member; if a member of the specified name is found in the member list, it is to be compiled before all other source members	<ul style="list-style-type: none"><li>■ *NONE: (default) no field reference file member is to be compiled</li><li>■ *Y1: retrieve the name of the field reference file from the design default value</li><li>■ *Y2: retrieve the name of the field reference file from the YFRFVNM model value of the first model found in the invoking job's library list</li></ul>
CPYLIB	Name of library from which to copy data to add to new physical files	<ul style="list-style-type: none"><li>■ *NONE: (default) data is not copied for existing files</li><li>■ *CURLIB: copy data from current library for invoking job</li></ul>



Parameter	Definition	Value and Description
FLAGVAL		<p>A list parameter made up of the following two elements:</p> <ul style="list-style-type: none"> <li>■ Relational operator for selection of flags <ul style="list-style-type: none"> <li>– *EQ</li> <li>:</li> <li>(default)</li> <li>equal to</li> <li>– *NE</li> <li>:</li> <li>not equal to</li> </ul> </li> <li>■ Flag value <ul style="list-style-type: none"> <li>Single character flag value or one of the special flag values. See Appendix A for further details on flag values. Otherw</li> </ul> </li> </ul>

Parameter	Definition	Value and Description
UPDLST		<ul style="list-style-type: none"> <li>■ *FLAGERR: (default) List items which are not successfully submitted are to be flagged</li> <li>■ *RMVOK: List items which are successfully submitted are to be removed from the list</li> <li>■ *RMVERR: List items which are not successfully submitted are to be removed from the list</li> </ul> <p style="margin-left: 100px;">If *FLAGE RR is specifie d, then *RMVER R is invalid</p>

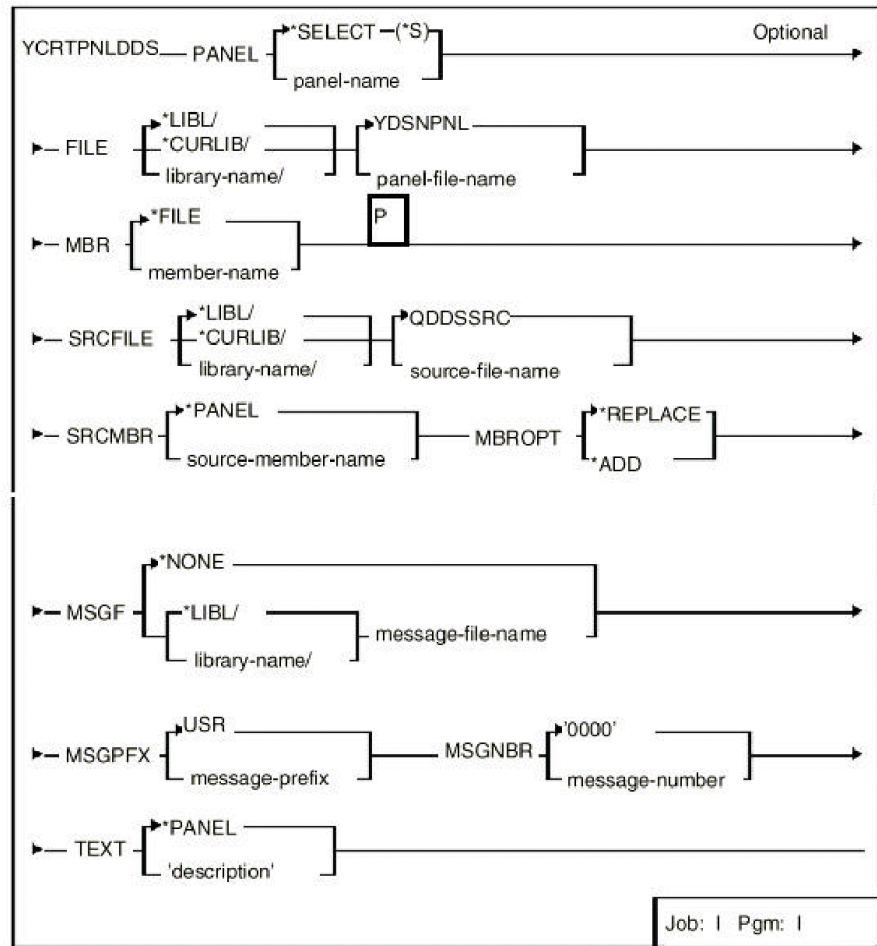
Parameter	Definition	Value and Description
OUTFLAGVAL		<p data-bbox="1016 342 1036 1953">F l a g v a l u e t o b e g i v e n t o f l a g g e d e n t r i e s w h e n t h e U P D L S T p a r a m e t e r</p> <ul style="list-style-type: none"> <li data-bbox="1049 321 1414 390">■ *FAIL: Failed flag items when submitted</li> <li data-bbox="1049 411 1414 533">■ Single character flag value or one of the special flag values. See Appendix A for further details on flag values.</li> </ul>

Parameter	Definition	Value and Description
MBRLST		Q ■ u a l i f i e d n a m e o f a m e m b e r l i s t
QTEMP/TEMPLST: (default) list name	■	■
EDIT		E ■ *NO: (default) List edit d function is not invoked it ■ *YES: Invoke the list edit l function before proceeding s with compilations t o p t i o n

## YCRTPNLDDS (Create DDS From Panel Design)

This command invokes an interactive utility to generate Database Design Specifications (DDS) from a named CA2E panel design.

## Syntax Diagram



## Parameters

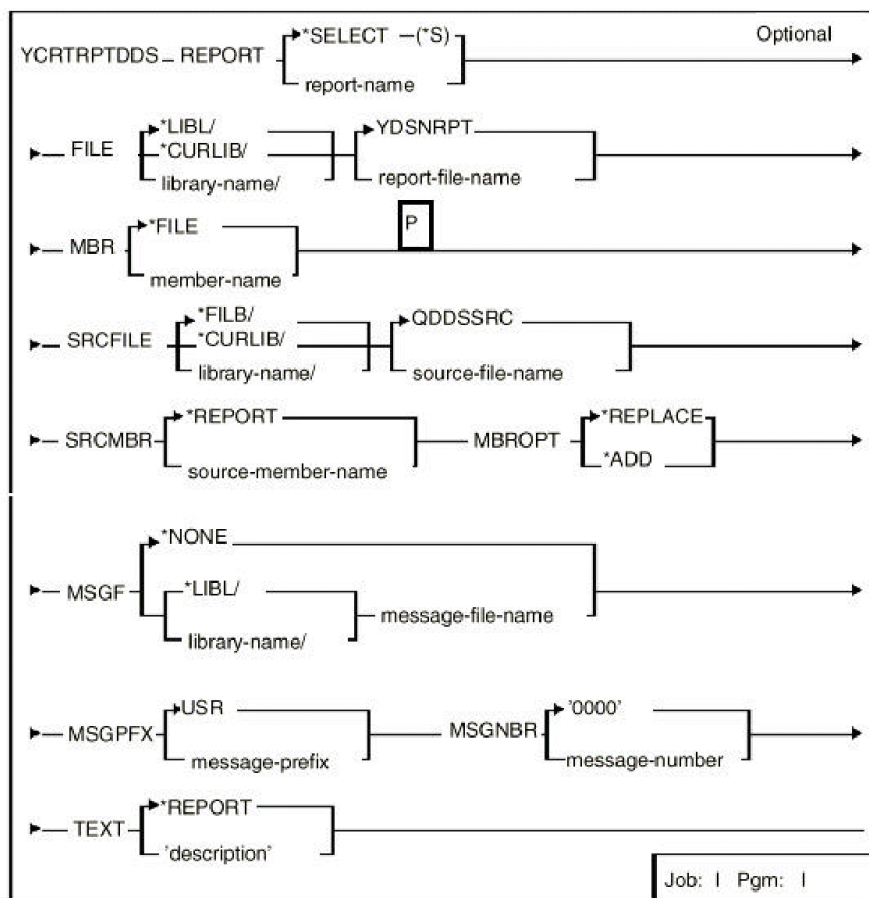
		De fin iti on	Value and Descr iption
PANEL	Name of panel design from which DDS is to be generated	■	*SELECT: (default) The panel selection display will be presented
FILE	Qualified name of file containing panel design	■	YDSNPNL: (default) Panel file name
MBR	Name of member in file containing panel design	■	*FILE: (default) the member has the same name as the file
SRCFILE	Qualified name of source file for DDS source	■	QDSSRC: (default) The member is in the i OS default source file in the indicated library. The source file must exist before the Create Panel DDS command can be used
SRCMBR	Name of member to contain generate DDS source	■	*PANEL: (default) The member has the same name as the panel. The member is created if it does not exist already
MBROPT	Source member update option	■	<ul style="list-style-type: none"> <li>■ *REPLACE: (default) the generated DDS source replaces any existing source member.</li> <li>■ *ADD: the new DDS is appended to any existing member contents</li> </ul>
MSGF	Message file name into which message descriptions defining literals are to be placed	■	*NONE: (default) do not use message descriptions to define literals.

		De fin iti on	Value and Descr iption
MSGPFX	Message prefix for the message identifiers of messages defining literals. This is used in conjunction with the MSGNBR parameter to generate message identifiers for the messages which are added to the file defined by the MSGF parameter	<ul style="list-style-type: none"> <li>■ USR: (default) message prefix</li> </ul>	
MSGNBR	Starting number for allocating message identifier for messages which are added to message file	<ul style="list-style-type: none"> <li>■ 0000: (default) start number</li> </ul>	
TEXT	DDS source member name text	<ul style="list-style-type: none"> <li>■ *PANEL: (default) the member text is updated from the panel title.</li> </ul>	

## YCRTRPTDDS Create DDS From Report Design)

(This command invokes an interactive utility to generate Database Design Specifications (DDS) from a named report design.

## Syntax Diagram



## Parameters

Parameter	Definition	Value and Description
REPORT	Name of report design from which DDS is to be generated	<ul style="list-style-type: none"> <li>■ *SELECT: (default) The report selection display will be presented</li> </ul>
FILE	Qualified name of file containing report design	<ul style="list-style-type: none"> <li>■ YDSNRPT: (default) Report file name</li> </ul>
MBR	Name of member in file containing report design	<ul style="list-style-type: none"> <li>■ *FILE: (default) The member has the same name as the file</li> </ul>

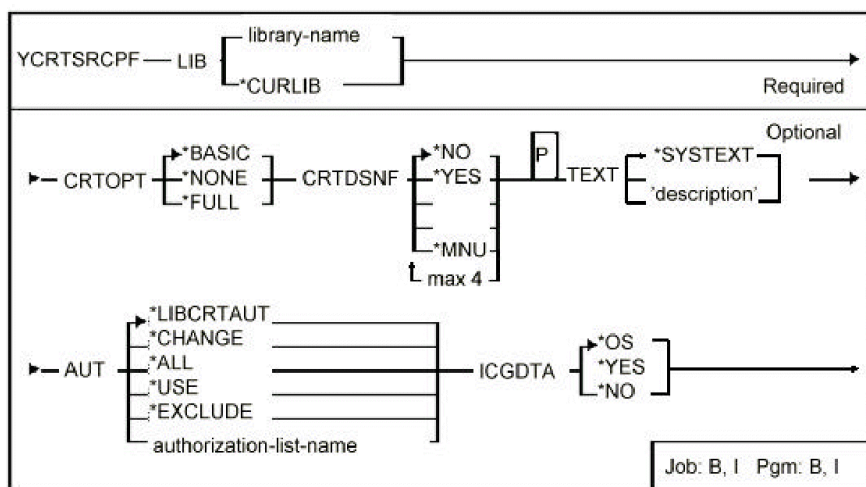


Parameter	Definition	Value and Description
SRCFILE	Qualified name of source file to contain generated DDS source	<ul style="list-style-type: none"> <li>■ QDDSSRC: (default) The source member is in the i OS default source file in the indicated library.</li> <li>■ The source file must exist before the 'Create report DDS' command can be used</li> </ul>
SRCMBR	Name of member to contain generated DDS source	<ul style="list-style-type: none"> <li>■ *REPORT: (default) The member will have the same name as the report. The member is created if it does not exist already</li> </ul>
MBROPT	Source member update option	<ul style="list-style-type: none"> <li>■ *REPLACE: The generated DDS source will replace any existing source member.</li> <li>■ *ADD: The new DDS is appended to any existing contents of the source member.</li> </ul>
MSGF	Message file name into which message descriptions defining literals are to be placed	<ul style="list-style-type: none"> <li>■ *NONE: (default) Do not use message descriptions to define literals</li> </ul>
MSGPFX	Message prefix for message identifiers for messages defining literals. This is used in conjunction with the MSGNBR parameter to generate message identifiers for the messages which are added to the file defined by the MSGF parameter	<ul style="list-style-type: none"> <li>■ USR: (default) Message prefix</li> </ul>
MSGNBR	Starting number for allocating message identifier for messages which are added to message file	<ul style="list-style-type: none"> <li>■ 0000: (default) Start number</li> </ul>
TEXT	DDS source member name text	<ul style="list-style-type: none"> <li>■ *REPORT: (default) The member text is updated from the report title</li> </ul>

## YCRTSRCPF (Create Source Files)

This command creates one of each type of the i OS default source files, to common standards. Intended for setting up a programming environment, which can be used to create design files.

### Syntax Diagram



### Parameters

Parameter	Definition	Value and Description
LIB	Library in which to create source files. Only source files which do not already exist in the library is created	<ul style="list-style-type: none"> <li>■ <b>*BASIC:</b> (default) Only the following files are created: QCLSRC, QDDSSRC, QCMDSRC, QPNLSRC, QTXTSRC, QRPGRSRC, QCBLSRC, QLBSLRC, QPLISRC, QPLICPY.</li> <li>■ <b>*FULL:</b> The following files are also created: QPASSRC, QBASSRC, QUDSSRC, QFMTSRC, QRMCSRC, QREXSRC, QQMQRYSRC, QQMFORMSRC, QFNTSRC, QCSRC and QCLDSRC.</li> <li>■ <b>*NONE:</b> do not create source files</li> </ul>

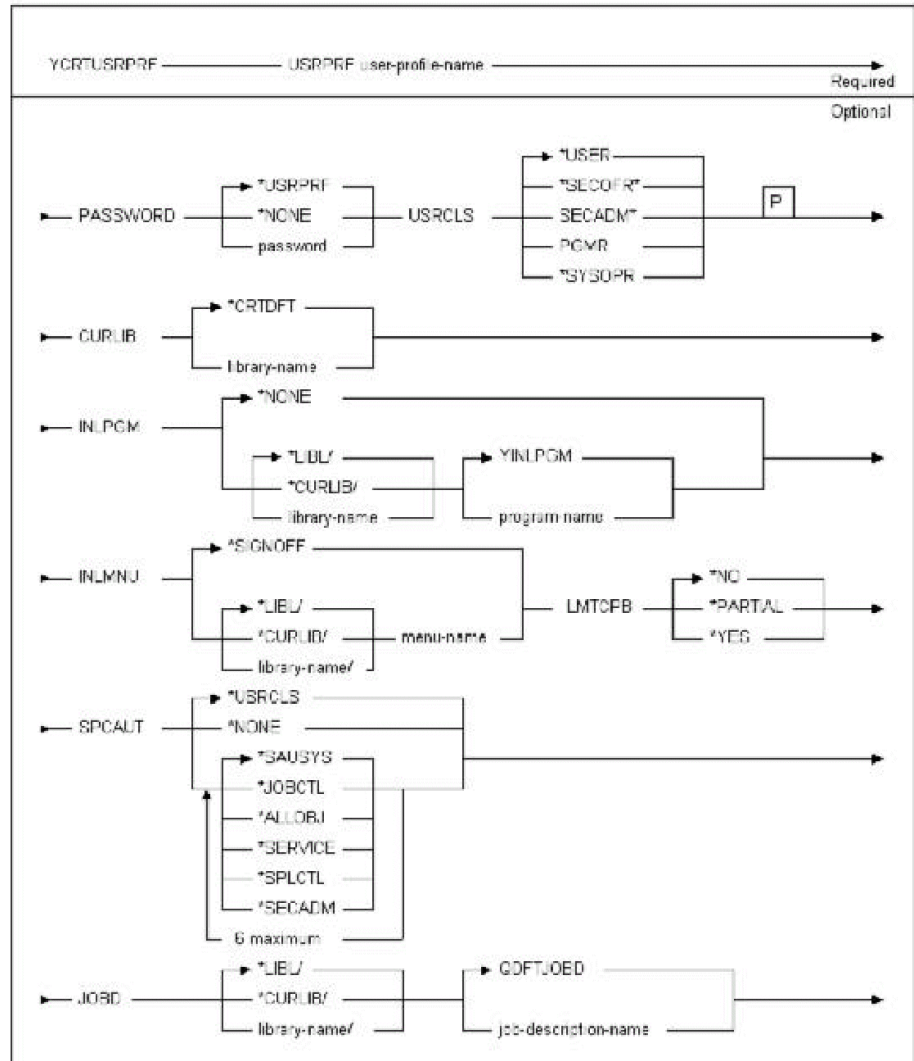
Parameter	Definition	Value and Description
CRTOPT	Create option	
CRTDSNF	Create utility design files option	<ul style="list-style-type: none"> <li>■ *NO: (default) Do not create any design files.</li> <li>■ *YES: Create files to contain menus, panel designs, and report designs in the named library.</li> <li>■ *MNU: Create files to contain menus</li> </ul>
AUT	Public authority of files	<ul style="list-style-type: none"> <li>■ *LIBCRTAUT: (default) the user has authority determined by the Create Authority (CRTAUT) prompt of the i OS Create Library (CRTLIB) command or on the i OS Change Library (CHGLIB) command for the library containing the objects to be created. Once the objects are created, their authorities are not affected by changes to the Create Authority (CRTAUT) for the library in which the objects reside.</li> <li>■ *CHANGE: The user has object operational rights and all data rights to the files.</li> <li>■ *ALL: Everyone is authorized to do anything to the files, except transfer ownership.</li> <li>■ *USE: The user has object operational rights and read data rights.</li> <li>■ *EXCLUDE: Prevents the user from accessing the files.</li> <li>■ Authorization list name: the name of an authorization list whose authority is used for the files</li> </ul>

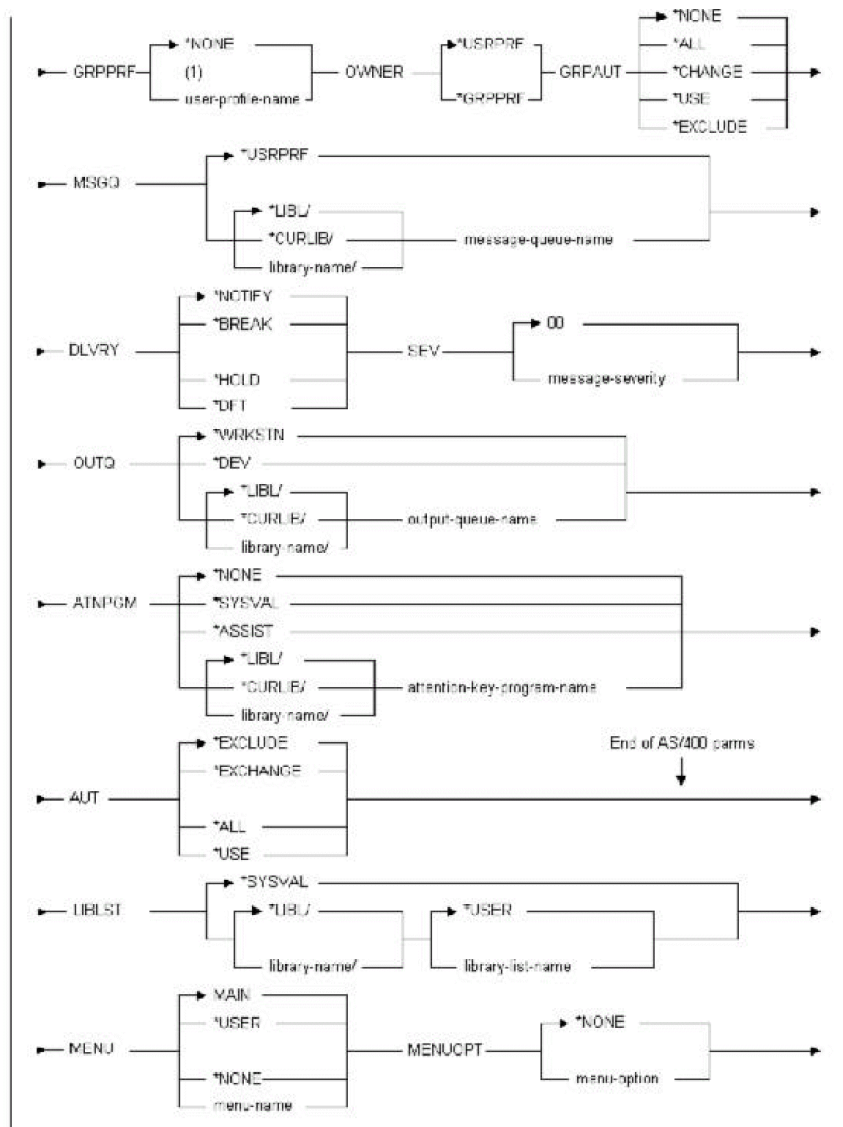
Parameter	Definition	Value and Description
TEXT	Text to go on each file: up to thirty characters. The text placed on the file is of the form:	<ul style="list-style-type: none"> <li>■ "RPG source for 'Text '",</li> <li>■ "CLP source for 'Text '" etc.</li> <li>■ *SYSTEXT: (default) text is retrieved from data area *LIBL/YYSYTXA</li> </ul>
ICGDTA	Specifies whether the file can contain double-byte character set (DBCS) data.	<ul style="list-style-type: none"> <li>■ *OS: The ICGDTA attribute is specified by the default value on the ICGDTA parameter of the CRTSRCPF command in the installed National Language Version of i OS.</li> <li>■ *YES: The file may contain DBCS data.</li> <li>■ *NO: The file may not contain DBCS data</li> </ul>

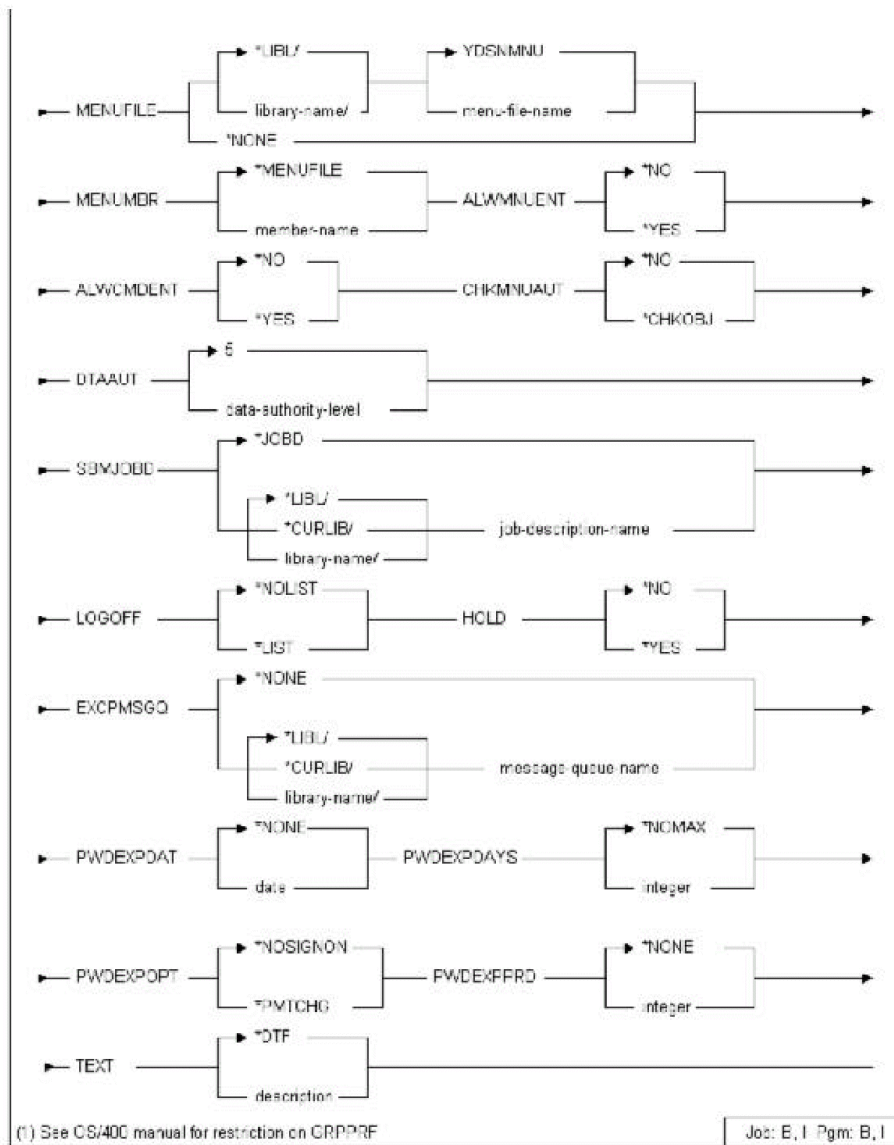
## YCRTUSRPRF (Create User Profile)

This command creates a specified user profile. Both the extension profile details and certain i OS user profile details are maintained.

## Syntax Diagram







## Parameters

Parameter	Definition	Value and Description
USRPRF	User profile name	

Parameter	Definition	Value and Description
PASSWORD	User password. The password must be a valid name	<ul style="list-style-type: none"> <li>■ *USRPRF: (default) Adopt the profile name as the password.</li> <li>■ *NONE: Profile has no password</li> </ul>
USRCLS	User class. One of the following values	<ul style="list-style-type: none"> <li>■ *USER: (default) Defined as a user.</li> <li>■ *SECOFR: User has security officer class.</li> <li>■ *SECADM: User has administration class.</li> <li>■ *PGMR: Defined as a programmer.</li> <li>■ *SYSOPR: User has system operator class</li> </ul>
CURLIB	Default current library for this user	*CRTD FT: (default) This user has no default current library. The library QGPL is used as the default create library
INLPGM	Qualified name of initial program for profile. This program is the first program to execute when the user signs on	<ul style="list-style-type: none"> <li>■ *LIBL/YINLPGM: (default) YINLPGM program is the first program to execute.</li> <li>■ *NONE: There is no initial program for the profile</li> </ul>



Parameter	Definition	Value and Description
INLMNU	Qualified name of initial menu for profile. This menu will be called if there is no initial program, and if an initial program executes a return	*SIGN OFF: (default) Execute a SIGN OFF command and if the initial program executes a return
LMTCPB	Limit capability of user to change user profile	<ul style="list-style-type: none"> <li>■ *NO: (default) Do not limit capability.</li> <li>■ *YES: Limit capability.</li> <li>■ *PARTIAL: Partial limitation</li> </ul>

Parameter	Definition	Value and Description
SPCAUT	Special authorities. Either a single value	<ul style="list-style-type: none"> <li>■ *USRCLS: (default) Authorities are defined by user class.</li> <li>■ *NONE: No special authorities are to be granted.</li> <li>■ *Or a list of up six special values:                             <ul style="list-style-type: none"> <li>–</li> <li>*S AV SY S: Gr an t sa ve sy st e m rig ht s.</li> <li>–</li> <li>*J O BC TL: Gr an t jo b co nt rol rig ht s.</li> <li>–</li> <li>*S EC A D M: Gr an t ad mi nis</li> </ul> </li> </ul>

Parameter	Definition	Value and Description
JOB	Qualified name of initial job description. This job description defines the initial job environment when the user signs on, and is used as the default job description for the user profile	*LIBL/QDFTJOB: (default) The system-supplied job description found in library QGPL is used
GRPPRF	Group profile name	*NONE: (default) Profile is not a group profile member
OWNER	Owner of created objects for group members. If a value of GRPPRF(*NONE) is specified then *USRPRF must be specified	<ul style="list-style-type: none"> <li>■ *USRPRF: (default) The user profile is to own any objects created by the profile.</li> <li>■ *GRPPRF: The group profile is to own any created objects</li> </ul>

Parameter	Definition	Value and Description
GRPAUT	Authority given to the group profile for newly-created objects for which the user profile is the owner. If OWNER(*GRPPRF) is specified, *NONE is required	<ul style="list-style-type: none"> <li>■ *NONE: (default) No authority is given to the group profile.</li> <li>■ *ALL: All authority is given to the group profile.</li> <li>■ *CHANGE: Change authority for the object type is given to the group profile.</li> <li>■ *USE: Authority to use the object type is given to the group profile, i.e. read the file, or call the program.</li> <li>■ *EXCLUDE: User profile is excluded.</li> </ul>
MSGQ	Qualified name of message queue associated with the user profile	*USRPRF: (default) Use default message queue with same name as the user profile

Parameter	Definition	Value and Description
DLVRY	Mode of delivery for messages sent to specified message queue	<ul style="list-style-type: none"> <li>■ *NOTIFY: (default) Messages of the appropriate severity cause the message waiting indicator to be set on the display.</li> <li>■ *HOLD: Messages are to be held on the message queue.</li> <li>■ *BREAK: Messages of the appropriate severity are displayed at the time of delivery. The severity level is determined by the value specified for SEV.</li> <li>■ *DFT: All information messages will be ignored, other messages will be held. Any enquiry messages are given the default reply specified on the job description, or on the message description</li> </ul>
SEV	Message severity to use when setting message queue delivery	<ul style="list-style-type: none"> <li>■ 00: (default) Severity - show all messages.</li> <li>■ 00-99: message severity. See i OS manual for message severity code meanings</li> </ul>
PRTDEV	Name of printer which is to be associated with this user	<ul style="list-style-type: none"> <li>■ *SYSVAL: (default) The printer device specified by the QPRTDEV system value will be used.</li> <li>■ *WRKSTN: Printer device associated with the work station</li> </ul>
OUTQ	Qualified name of output queue associated with the user profile	<ul style="list-style-type: none"> <li>■ *DEV: (default) Output is to be directed to the output queue which has the same name as the printer device specified on the PRTDEV parameter.</li> <li>■ *WRKSTN: Printer device associated with the work station</li> </ul>

Parameter	Definition	Value and Description
ATNPGM	Qualified name of attention key program associated with the user profile	<p>*NONE : (default) No attention key program is to be associated with the user profile.</p> <p>If an attention program is specified, the job automatically changes into a group job.</p>
AUT	Authority given to the public for the user profile	<ul style="list-style-type: none"> <li>■ *EXCLUDE: (default) No authority is given to the public.</li> <li>■ *ALL: All authorities are given to the public.</li> <li>■ *CHANGE: Change authority for the profile is given to the public.</li> <li>■ *USE: Authority to display the profile is given to the public</li> </ul>

Parameter	Definition	Value and Description
LIBLST	Qualified name of initial library list. Library list to be set at start of sign-on	*SYSVAL: (default) the system default library list is used
MENU	Name of initial menu for user profile	<ul style="list-style-type: none"> <li>■ MAIN: (default) Initial menu name.</li> <li>■ *USER: An initial menu with the same name as that specified in the USRPRF parameter will be used.</li> <li>■ *NONE: There is no initial menu</li> </ul>
MENUOPT	Initial menu option for user profile	<ul style="list-style-type: none"> <li>■ *NONE: (default) The initial menu is to be displayed.</li> <li>■ menu-option: The program/command specified by the initial menu option is to be executed</li> </ul>
MENUFILE	Qualified menu file name. The menu file in which the initial menu is located. Must be a Synon/1E menu file	*LIBL/ YDSN MNU: The default menu file name

Parameter	Definition	Value and Description
MENUMBR	Menu file member name	*MENUFILE: The member name is the name specified in the MENUFILE parameter
ALWMNUENT	Allow menu name entry from the menu display	<ul style="list-style-type: none"> <li>■ *NO: (default) The user is not permitted to enter menu names. The user is restricted to the displayed menu options.</li> <li>■ *YES: The user may enter menu names to transfer directly to the named menu</li> </ul>
ALWCMDENT	Allow command entry from the menu display	<ul style="list-style-type: none"> <li>■ *NO: (default) The user is not permitted to enter commands. The user is restricted to the displayed menu options.</li> <li>■ *YES: The user may enter and execute commands directly from the menu</li> </ul>
CHKMNUAUT	Check user authority to menu options while loading menus	<ul style="list-style-type: none"> <li>■ *NO: (default) When loading a menu, do not check the user's authority to use the program or command named for each menu option.</li> <li>■ *CHKOBJ: When loading a menu, check the user's authority to use the program or command named for each executable menu option</li> </ul>



Parameter	Definition	Value and Description
DTAAUT	Data authority level (1-high to 9-low)	This value is available directly from the file YUSRPRF in the library, or via the YRTVU SRPRF command in a CL program. It may be used to provide a simple form of field level authorization, for examples levels 4 and above may view a salary field. Checking must be provided by user code

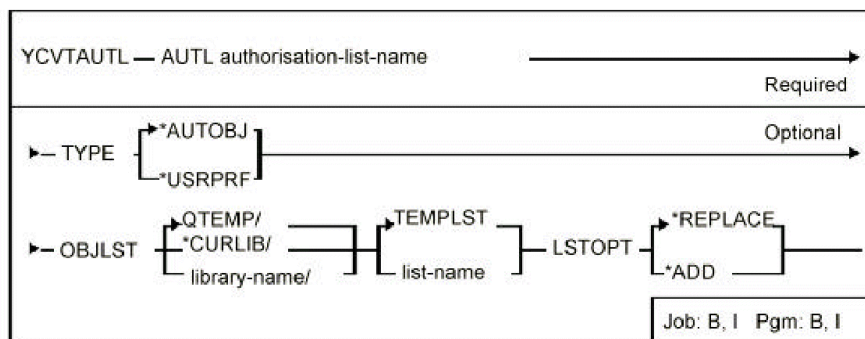
Parameter	Definition	Value and Description
SBMJOB	Qualified job description for submitted jobs	<p>This job description is used by the menu display program for menu options having the submit option.</p> <p>*JOB: (default) Use the value specified on the JOB parameter</p>
LOGOFF	Sign off option	<ul style="list-style-type: none"> <li>■ *NOLIST: (default) No job log is to be created.</li> <li>■ *LIST: A job log is to be created</li> </ul>
HOLD	Hold/release user profile option	<ul style="list-style-type: none"> <li>■ *NO: (default) The user may sign on.</li> <li>■ *YES: The user is prevented from signing on</li> </ul>

Parameter	Definition	Value and Description
EXCPMSGQ	Qualified name of exception message queue associated with the user profile. A copy of any exception message received by the display menu program is to be sent to this queue	<ul style="list-style-type: none"> <li>■ *NONE: (default) No exception message is associated with this profile.</li> <li>■ *USRPRF: Use default message queue with same name as the user profile</li> </ul>
PWDEXPDAT	Date upon which password is to expire	*NONE: (default) There is no expiry date
PWDEXPDAYS	Number of days after date of last change that a password is to remain valid	<ul style="list-style-type: none"> <li>■ *NOMAX: (default) There is no limit to the number of days that the password remains valid.</li> <li>■ 1-999: Number of days</li> </ul>
PWDEXPOPT	Action that YINLPGM is to take if password expiry is detected for a user at sign-on	<ul style="list-style-type: none"> <li>■ *NOSIGNON: (default) Don't let user sign on.</li> <li>■ *PMTCHG: Prompt user for new password, providing number of days specified by PWDEXPPRD parameter has not been exceeded</li> </ul>
PWDEXPPRD	Number of days after password has expired that user may still be allowed to sign on, providing the changes his password	<ul style="list-style-type: none"> <li>■ *NONE: (default) The user may not sign on after the password has expired.</li> <li>■ 1-999: Number of days</li> </ul>
TEXT	User profile text	*DFT: The default text is used

## YCVTAUTL (Convert Authorization List)

This command creates an object list of all the objects belonging to an Authorization List: either of all objects to which the list controls authorization, or all profiles which are included in the list.

## Syntax Diagram



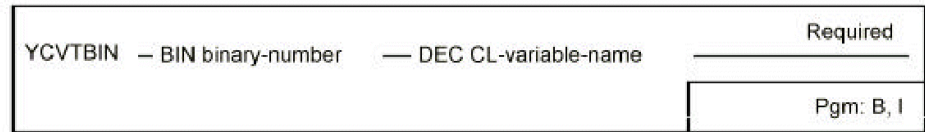
## Parameters

Parameter	Definition	Value and Description
	Name of authorization list	
	Type of objects to be included in the object list	<ul style="list-style-type: none"> <li>■ *AUTOBJ: (default) Include objects to which authorization list controls authorization.</li> <li>■ *USRPRF: Include user profiles contained in the authorization list</li> </ul>
	Qualified name of object list that is to be built	QTEMP/ TEMPLS T: (default) List name
	List replacement option	<ul style="list-style-type: none"> <li>■ *REPLACE: (default) Create a new list replacing any previous list's contents.</li> <li>■ *ADD: Add to any existing list's contents</li> </ul>

## YCVTBIN (Convert Binary To Decimal)

This command converts a binary number to the decimal equivalent. For use in CL programs.

### Syntax Diagram



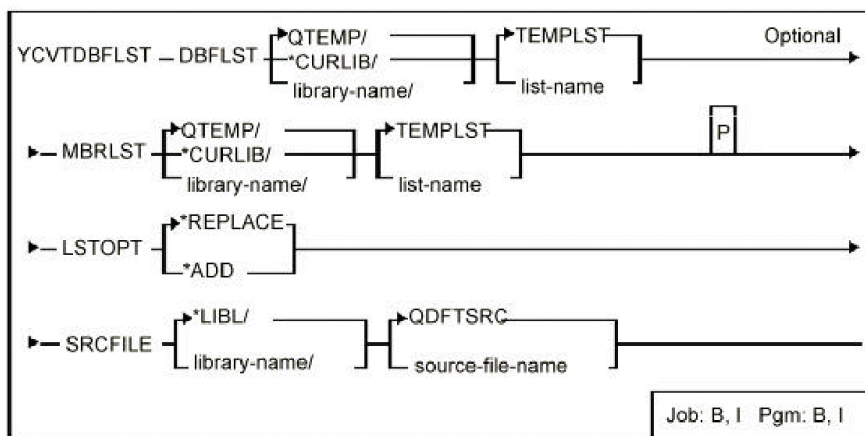
### Parameters

Parameter	Definition	Value and Description
BIN	Binary number to be converted; 2 bytes long	
DEC	Decimal equivalent returned by command. Must be a five digit numeric packed CL variable	

## YCVTDBFLST (Convert DBF List To Member List)

This command converts an existing database file list to a member list. The file name is converted to a source file member name.

## Syntax Diagram



## Parameters

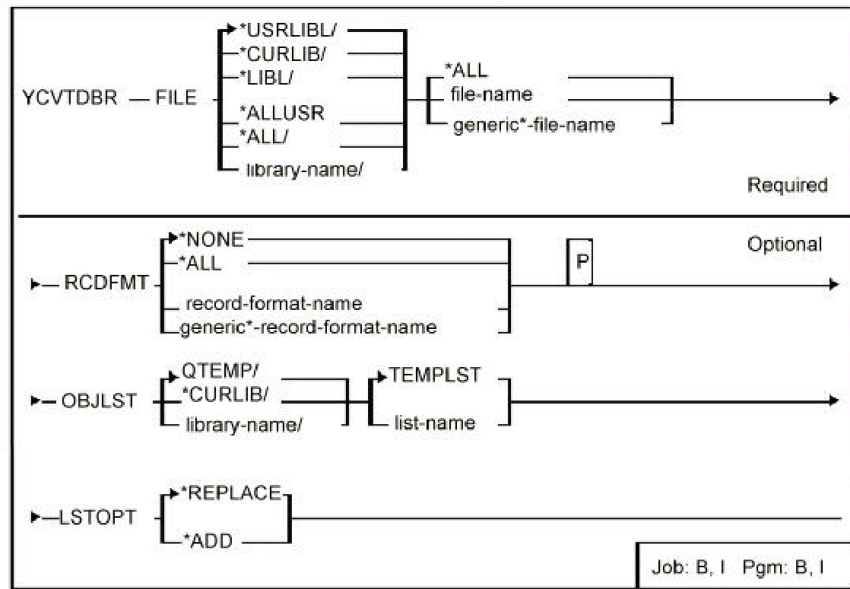
Parameter	Definition	Value and Description
DBFLST	Qualified name of database file list which is to be converted	QTEMP/TEMPLST: (default) list name
MBRLST	Qualified name of member list to hold converted source member output	QTEMP/TEMPLST: (default) list name.
LSTOPT	List replacement option	<ul style="list-style-type: none"> <li>■ *REPLACE: (default) Create new list, replacing any previous list contents.</li> <li>■ *ADD: add to any existing list contents</li> </ul>
SRCFILE	Source file options	QDFTSRC: (default) Use QDDSSRC. Nominated source file and library

## YCVTDBR (Convert Database Relations)

This command creates an object list from the output of the i OS command Display database relations (DSPDBR).

Enables you to obtain a list of all dependent files on a physical file or files; this can then be used to recompile the files via the Create Object command (**YCRTOBJ**).

### Syntax Diagram



### Parameters

Parameter	Definition	Value and Description
FILE	Qualified generic file name of file for which database relations are to be determined	*ALL: (default) Include all files

Parameter	Definition	Value and Description
RCDFMT	Generic record format name	<ul style="list-style-type: none"> <li>■ *NONE: (default) No specific record format is to be located.</li> <li>■ *ALL: All record format usage is to be determined.</li> </ul> <p>If a name is entered the files containing the specified format(s) are included</p>
OBJLST	Qualified name of object list that is to be built	QTEMP/TEMPLST: (default) List name
LSTOPT	List replacement option	<ul style="list-style-type: none"> <li>■ *REPLACE: (default) Create a new list replacing any previous list's contents.</li> <li>■ *ADD: Add to any existing list's contents</li> </ul>

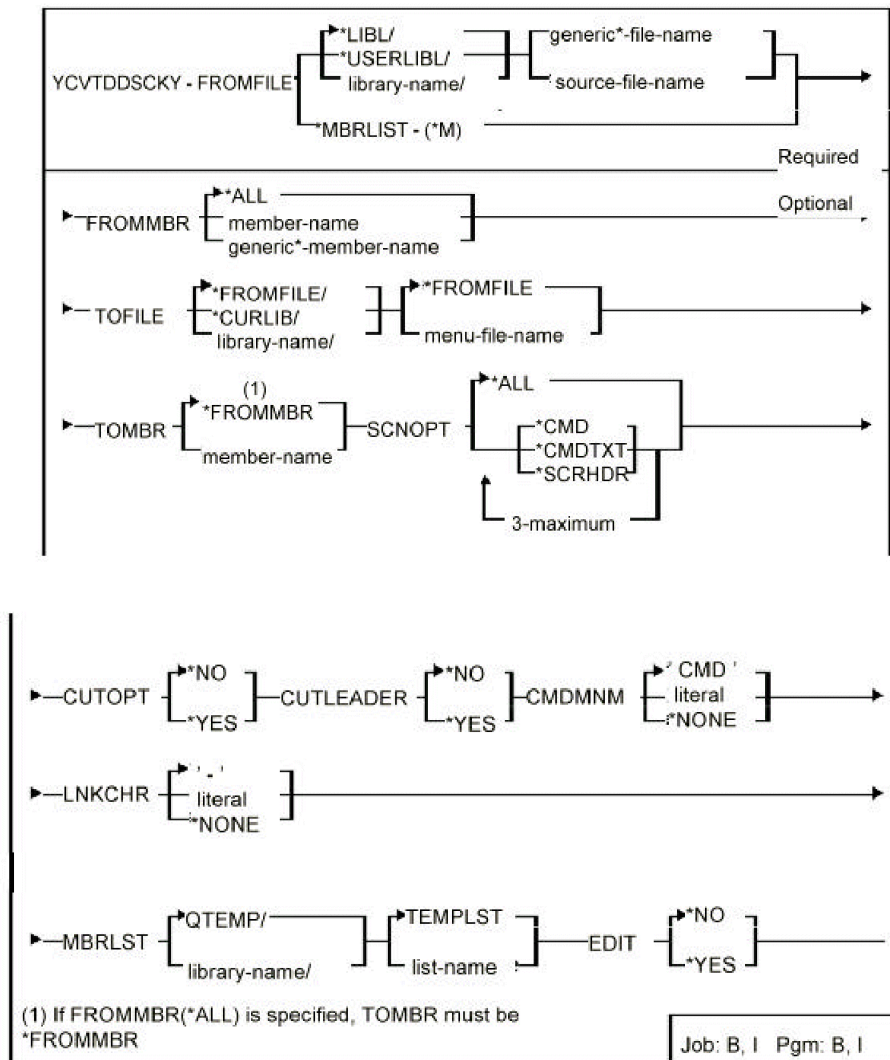
## YCVTDDSCKY (Convert DDS Command Keys)

This command analyses/converts a display file DDS source and can be used to modify DDS source to make panel designs conform to CUA standards. The command optionally converts:

- Command keys
- Literals providing command key explanations
- Text leaders within text literals
- Command key table
- A report is produced of all changes made



## Syntax Diagram



## Parameters

Parameter	Definition	Value and Description
FROMFILE	Qualified generic name of source files containing converted DDS members	<ul style="list-style-type: none"> <li>*MBRLST: (default) Use the member list specified by the MBRLST parameter</li> </ul>
FROMMBR	Generic member name of converted DDS	<ul style="list-style-type: none"> <li>*ALL: (default) Include all members</li> </ul>

Parameter	Definition	Value and Description
TOFILE	Qualified name of source file into which the converted source members are to be placed	<ul style="list-style-type: none"> <li>■ *FROMFILE: (default) Name is the same as FROMFILE</li> </ul>
TOMBR	Member name of converted source	<ul style="list-style-type: none"> <li>■ *FROMMBR: (default) Name is same as FROMMBR</li> </ul>
SCNOPT	Analysis option; specifies those components of the DDS source for which the conversion program is to look	<ul style="list-style-type: none"> <li>■ *ALL: (default) Analyze source for use of command keys, command explanation literals and screen headers</li> <li>■ *CMD: Scan for use of command keys</li> <li>■ *CMDTXT: Scan for use of command explanation text</li> <li>■ *SCRHDR: Scan for use of screen headers. The DDS for the first three lines of each display are shown on the report. This helps to identify the other items shown on the report. No conversion of the DDS for display headers are attempted</li> </ul>
CVTOPT	Conversion option	<ul style="list-style-type: none"> <li>■ *NO: (default) Only analyze source and produce a report, do not convert source</li> <li>■ *YES: Convert source</li> </ul>
CVTLEADER	Indicates whether text leader literals are to be converted	<ul style="list-style-type: none"> <li>■ *NO: (default) Do not convert text leaders</li> <li>■ *YES: Convert text literals ending in '.:'; the program changes these to conform to the SAA standard, that is have spaces between periods leading up to the colon, i.e. ('. .:')</li> </ul>
CMDMNM	Indicates whether the specified command mnemonic is to be removed when converting command explanation literals	<ul style="list-style-type: none"> <li>■ 'CMD:': (default) Remove indicated value if found in command key explanation text</li> <li>■ *NONE: Do not remove any leading mnemonics on command key explanation text line</li> </ul>

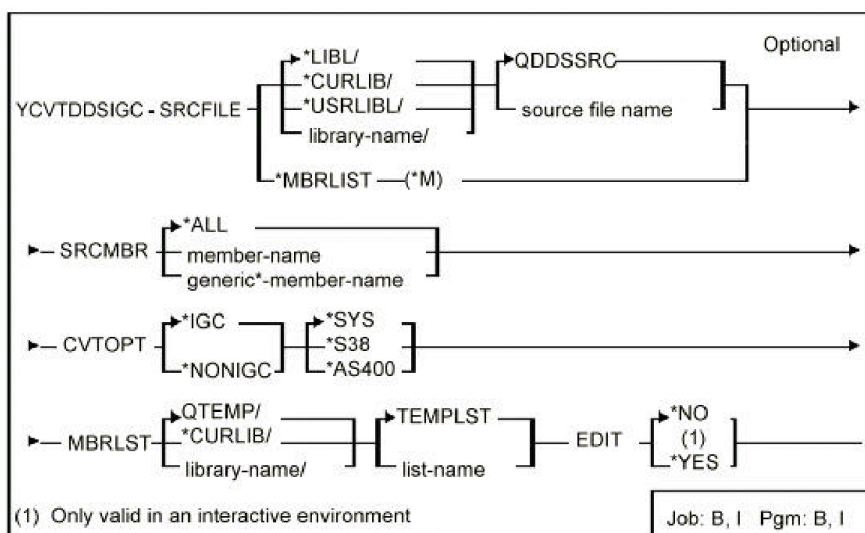
Parameter	Definition	Value and Description
LNKCHR	Indicates whether the program is to look for a linking character when scanning for command key explanations, and if so, for what character it should search. This may be necessary to distinguish between a command key reference and the use of a numeric literal in the text	<ul style="list-style-type: none"> <li>■ '-': Look for a hyphen within command explanation text. The value is replaced by an '=' character</li> <li>■ *NONE: Do not attach a linking character when scanning the command text line</li> </ul>
MBRLST	Qualified name of a member list	<ul style="list-style-type: none"> <li>■ QTEMP/TEMPLST: (default) List name</li> </ul>
EDIT	List option	<ul style="list-style-type: none"> <li>■ *NO: (default) No editing is required.</li> <li>■ *YES: Invoke the edit member list function to edit the list before executing the scan</li> </ul>

- 

## YCVTDDSIGC (Convert DDS To IGC)

This command converts DDS source from one version to another, according to directives coded in columns 1-5 of the source. The conversion can be used to change DDS source so that it is suitable for use on an IGC (ideographic) machine or for used on the IBM i to one suitable for use on the System/38, and vice versa.

## Syntax Diagram



## Parameters

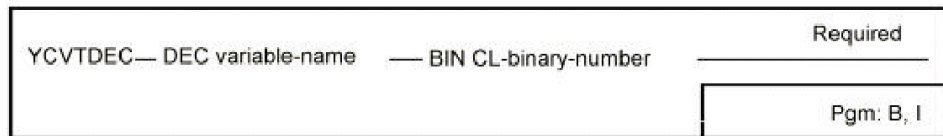
Parameter	Definition	Value and Description
SRCFILE	Qualified generic name of file containing converted source members	<ul style="list-style-type: none"> <li>QDDSSRC: (default) Source file name.</li> <li>*MBRLST: Convert members named in member list specified by the MBRLST parameter</li> </ul>
SRCMBR	Generic name of the converted members	*ALL: (default) Convert all members in the specified file or files
CVTOPT	Specifies the conversion option to use	List parameter made up of two elements: <ul style="list-style-type: none"> <li>*IGC type</li> <li>*IGC: (default) Convert DDS to IGC</li> <li>*NONIGC: Converts DDS back to non-IGC</li> </ul> Machine type: <ul style="list-style-type: none"> <li>*SYS: (default) Convert for current machine</li> <li>*S38: Convert for System/38</li> <li>*AS400: Convert for IBM i</li> </ul>
MBRLST	Qualified name of member list indicating the new converted members	QTEMP/TEMPLST: (default) List name Specify FROMFILE(*MBRLST) to use an existing member list

Parameter	Definition	Value and Description
EDIT	Edit list required	<ul style="list-style-type: none"> <li>■ *NO: (default) No editing required</li> <li>■ *YES: The edit member list function is invoked to edit the list before execution</li> </ul>

## YCVTDEC (Convert Decimal To Binary)

This command converts a decimal number to the binary equivalent.

### Syntax Diagram



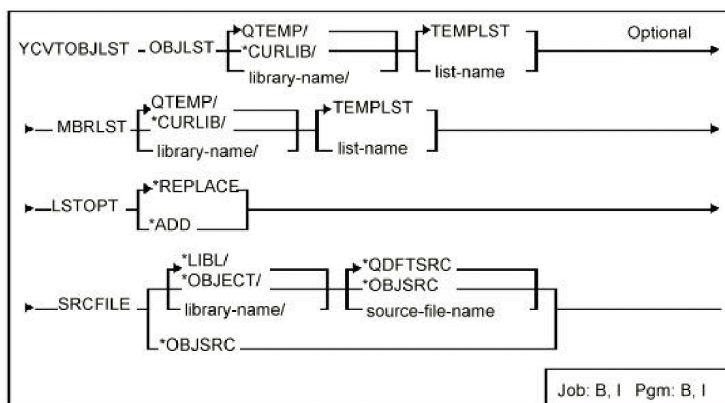
### Parameters

Parameter	Definition	Value and Description
DEC	Decimal number to be converted. Maximum size of five digits, no decimal places	
BIN	Binary equivalent returned by command 2 bytes CL character variable	

## YCVTOBJLST (Convert Object List to Member List)

This command converts an existing object list into a member list. The object name is converted to a source file member name.

## Syntax Diagram



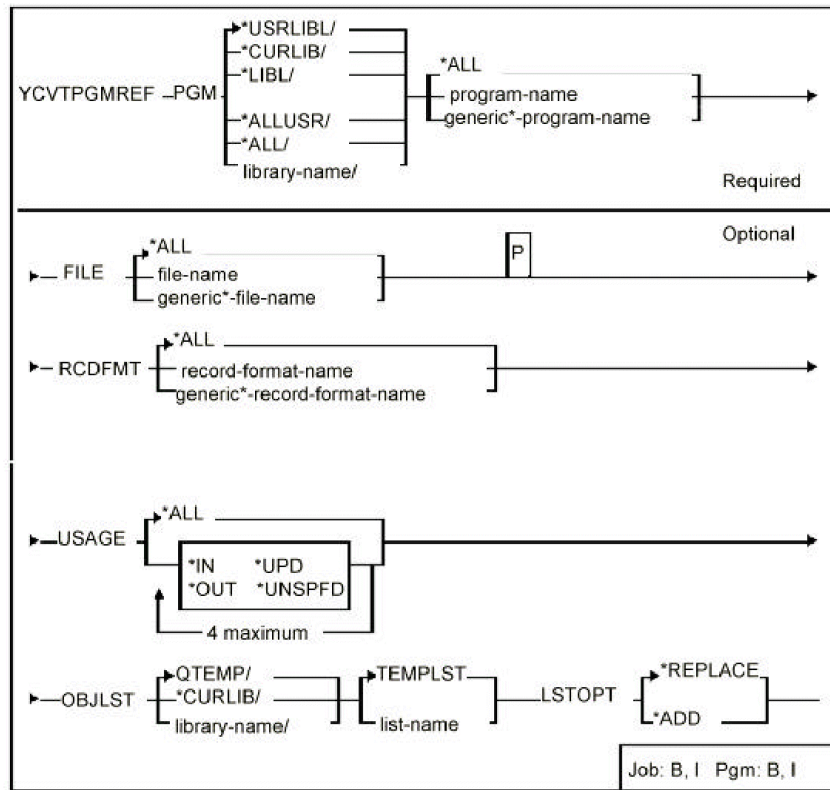
## Parameters

Parameter	Definition	Value and Description
OBJLST	Qualified name of object list which is to be converted into a member list	QTEMP/TEMPLST: (default) List name
MBRLST	Qualified name of member list to hold converted source member output	QTEMP/TEMPLST: (default) List name
LSTOPT	List replacement option	<ul style="list-style-type: none"> <li>■ *REPLACE: (default) Create new list, replacing any previous list's contents</li> <li>■ *ADD: Add to any existing list's contents</li> </ul>

## YCVTPGMREF (Convert Program References)

This command creates an object list of the programs references and the list can be converted to a member list (by the YCVTOBJLST command), which may then be used to recompile the programs via the command Create Object (YCRTOBJ).

## Syntax Diagram



## Parameters

Parameter	Definition	Value and Description
PGM	Qualified generic name of programs for which references are to be processed	*ALL: (default) Include all programs
FILE	Generic file name of referenced files. Only those programs which reference the specified file(s) are selected	*ALL: (default) Do not select on file name

<b>Parameter</b>	<b>Definition</b>	<b>Value and Description</b>
RCDFMT	Generic record format name of referenced formats. Only those programs which reference the specified record format(s) are selected	*ALL: (default) Do not select on record format



Parameter	Definition	Value and Description
USAGE	File usage types. Only those programs which access the given file(s)/format(s) in the specified way are selected	<p>Single value</p> <ul style="list-style-type: none"> <li>■ *ALL: (default) Do not select on file usage</li> <li>■ *Or list of up to four elements</li> </ul> <p>– *I N: Us ag e is re ad on ly</p> <p>– *O UT : Us ag e is ou tp ut on ly</p> <p>– *U PD : Us ag e is up da te</p> <p>– *U NS PF D: Us</p>

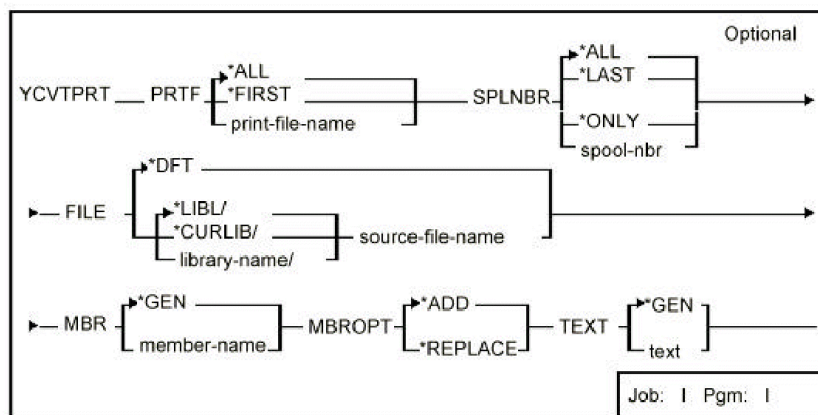
ag  
e  
is  
un  
sp  
eci

Parameter	Definition	Value and Description
OBJLST	Qualified name of object list that is to be built	QTEMP/TEMPLST: (default) List name
LSTOPT	List replacement option	<ul style="list-style-type: none"> <li>■ *REPLACE: Create a new list, replacing any previous list's contents</li> <li>■ *ADD: Add to any existing list's contents</li> </ul>

## YCVTPRT (Convert Print Output To Source Member)

This command converts spooled print file output into a dbf source member. Output is 'framed' to look like a screen image, suitable for inclusion as an illustration in your user instruction manuals.

### Syntax Diagram



## Parameters

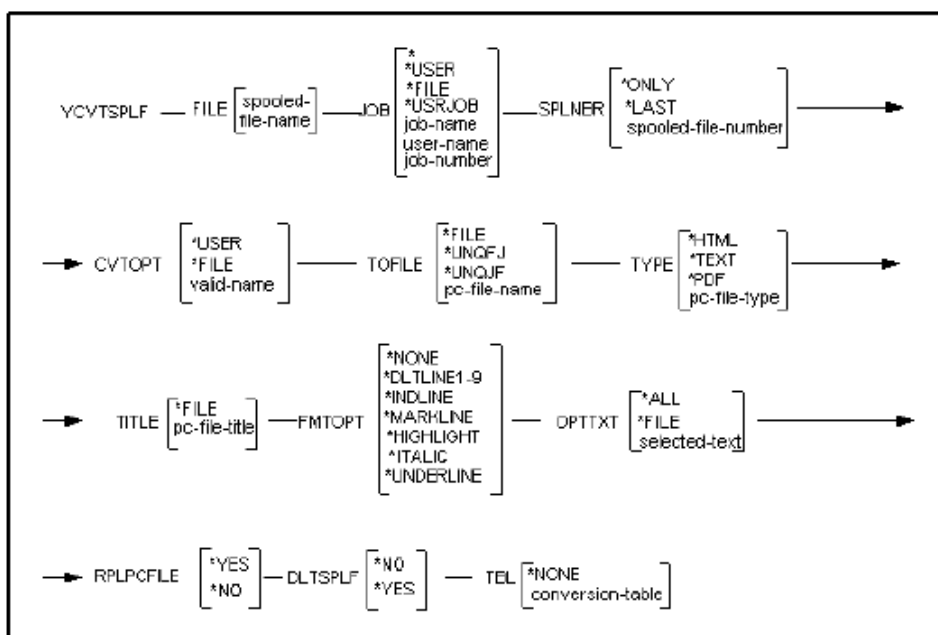
Parameter	Definition	Value and Description
PRTF	Name of print file whose output is to be converted to a source member	<ul style="list-style-type: none"> <li>■ *ALL: (default) Convert the output of any print files previously named by the YSTRCVTPRT command</li> <li>■ *FIRST: Convert the output of the first print file previously named by the YSTRCVTPRT command</li> <li>■ Print file name: Convert the output of the named file. (File must have been previously named by the YSTRCVTPRT command.)</li> </ul>
SPLNBR	Spool number of print output which is to be converted. Output must have been created by current job subsequent to using the YSTRCVTPRT receive converted output	<ul style="list-style-type: none"> <li>■ *ALL: (default) Convert all output</li> <li>■ *LAST: Convert the most recent spooled output</li> <li>■ *ONLY: Convert the output only if there is only one unprocessed spooled file present</li> <li>■ Spool file nbr: Convert the output for the numbered file</li> </ul>
FILE	Name of source file containing member that is to receive converted print output	*DFT: (default) Use source file nominated by the YSTRCVTPRT command
MBR	Name of source member that is to receive converted print output	*GEN: (default) Generate a member name as follows: "PP + Job number + Spool number," for example: P010014002
MBROPT	Member update option	<ul style="list-style-type: none"> <li>■ *ADD: (default) Add to any existing member having the name specified by the MBR parameter</li> <li>■ *REPLACE: Replace any existing member having the name specified by the MBR parameter</li> </ul>

Parameter	Definition	Value and Description
TEXT	Member text	*GEN: (default) Generate descriptive text as follows: "'Print key for' PRTF + JOBNBR/USER/JOB SPLNBR"

## YCVTSPLF (Convert Spooled File)

Converts an IBM i spooled file to a PC file.

- Allows conversion to a plain text file, an HTML file, or a file type of your choice
- Allows selection of a single spooled file from a list of duplicates
- Allows selection of folder on the IBM i that is accessible from a PC network.



## Parameters

Parameter	Definition	Value and Description
FILE	Name of the spooled file that is being converted to a PC document. Required.	<ul style="list-style-type: none"> <li>■ spooled-file-name</li> </ul>

Parameter	Definition	Value and Description
JOB	<p>Name of the job that created the specified spooled file.</p> <p>You can enter one of the special values detailed below, the job name only, the job name and job user only or the job name, job user and job number.</p>	<ul style="list-style-type: none"> <li>■ *: Named spooled file from the job that issued this command.</li> <li>■ *USER: Named spooled file from any job run by the user executing this command.</li> <li>■ *FILE: Named spooled file from any job where the job has the same name as the spooled file.</li> <li>■ *USRJOB: Named spooled file from any job run by the user executing this command where the job has the same name as the spooled file.</li> <li>■ job-name: Name of the job that contains the spooled file.</li> <li>■ user-name: User name that identifies the user profile under which the job is run.</li> <li>■ job-number: Systemassigned job number.</li> </ul>
SPLNBR	<p>Unique number of the spooled file in the job which is being converted.</p>	<ul style="list-style-type: none"> <li>■ *ONLY: Only one spooled file in the job has the specified file name; therefore, the number of the spooled file is not necessary.</li> <li>■ *LAST: If there is more than one spooled file with the specified file name the one with the highest number is the file which will be converted.</li> <li>■ spooled-file-number: Number of the spooled file that matches the file name which you wish to convert.</li> </ul>

---

Parameter	Definition	Value and Description
CVTOPT	<p>Options that will be used when converting the spooled file. These options include the name of the PC folder to which the document will be copied, and, if converting to an HTML document, an optional background, header and footer.</p> <p>Conversion options are held in the YCVTOPTP file. They can added or changed by using the YCHGCVTOPT command.</p>	<ul style="list-style-type: none"><li>■ *USER: If a record for the user running this command is found in the YCVTOPTP file, the details from that record are used to determine the conversion options for the spooled file. If no record is found for the user, the default record on the file ('*USER') is used.</li><li>■ *FILE: Use the conversion option record with the same name as the spooled file being converted.</li><li>■ valid-name: If a record is found in the YCVTOPTP file with a key matching the value entered, the details from that record are used to determine the conversion options for the spooled file. If no record is found, the default record on the file ('*USER') is used.</li></ul>

---

Parameter	Definition	Value and Description
	Name of the PC file into which the spooled file will be converted. If the conversion options chosen will convert the spooled file into a document in the Document Library System (QDLS) folder, the maximum length of this field is 8 characters.	<ul style="list-style-type: none"> <li>■ *FILE: PC file has the same name as the IBM i spooled file.</li> <li>■ *UNQFJ: PC file has a unique name composed of the spooled file name concatenated with the spooled file number concatenated with the job name, with all variables separated by underscores.</li> <li>■ *UNQJF: PC file has a unique name composed of the job name concatenated with the spooled file name concatenated with the spooled file name, with all variables separated by underscores.</li> <li>■ pc-file-name: Name of the PC file, excluding the 3 character PC extension.</li> </ul>
	Type of PC file into which the spooled file will be converted.	<ul style="list-style-type: none"> <li>■ *HTML: PC file will be an HTML file with a PC file extension of '.HTM'.</li> <li>■ *TEXT: PC file will be a plain text file with a PC file extension of '.TXT'.</li> <li>■ *PDF: PC file will be a PDF file with a PC file extension of '.PDF'.</li> <li>■ pc-file-type: PC file type in the format .xxx.</li> </ul>
	Title of the HTML file which is displayed in the top bar of the browser window.	<ul style="list-style-type: none"> <li>■ *FILE: Title is the same as the HTML file name (including the 3-character PC file extension).</li> <li>■ pc-file-title: Title of the HTML file, up to 50 characters.</li> </ul>

Parameter	Definition	Value and Description
	<p>The formatting options available when you convert a selected spooled file.</p>	<ul style="list-style-type: none"> <li data-bbox="1013 323 1432 394">■ *NONE: No formatting options should be used.</li> <li data-bbox="1013 411 1432 604">■ *DLTLINE1-9: Selected number of lines will be deleted from the converted spooled file, starting with the line containing the text selected in the OPTTXT parameter.</li> <li data-bbox="1013 621 1432 714">■ *INDLINE: Any line containing the selected text will be indented by three spaces.</li> <li data-bbox="1013 730 1432 865">■ *MARKLINE: Any line containing the selected text will be marked with '==&gt;' in the first three spaces.</li> <li data-bbox="1013 882 1432 1041">■ *HIGHLIGHT: Any text selected in the OPTTXT parameter will be highlighted, and will show as bold when the HTML file is opened and displayed.</li> <li data-bbox="1013 1058 1432 1218">■ *ITALIC: Any text selected in the OPTTXT parameter will be converted to italic, and will show as italic when the HTML file is opened and displayed.</li> <li data-bbox="1013 1234 1432 1423">■ *UNDERLINE: Any text selected in the OPTTXT parameter will be converted to underlined and will show as underlined when the HTML file is opened and displayed.</li> </ul>
	<p>Specifies the text within the spooled file that the options selected in the FMTOPT parameter should be applied to when the spooled file is converted.</p>	<ul style="list-style-type: none"> <li data-bbox="1013 1440 1432 1541">■ *ALL: The selected format options should be applied to all the text in the spooled file.</li> <li data-bbox="1013 1558 1432 1692">■ *FILE: The selected options should be applied to any instances of the spooled file name itself within the spooled file.</li> <li data-bbox="1013 1709 1432 1793">■ selected-text: The text to which the selected formatting options should be applied.</li> </ul>



Parameter	Definition	Value and Description
	<p>Specifies the effective CCSID that the spooled file should be treated as.</p> <p><b>Note:</b> The YCVTSPLF processing will convert the spooled file to a stream file by converting FROM the CCSID specified in DBFCCSID, TO the CCSID specified in STMFCODPAG.</p> <p>Ideally the DBFCCSID (from CCSID) should map to the STMFCODPAG (to CCSID). See the following link for supported mappings:  <a href="http://publib.boulder.ibm.com/infocenter/IBMi/v5r3/index.jsp?topic=/nls/rbagccsidmappings.htm">http://publib.boulder.ibm.com/infocenter/IBMi/v5r3/index.jsp?topic=/nls/rbagccsidmappings.htm</a></p>	<ul style="list-style-type: none"> <li>■ *YDBFCCS: The value of this argument will be derived from the YDBFCCS data area in the library list. If the YDBFCCS data area does not exist in the library list an error will be thrown. The YDBFCCS data area can be created with the YCRTY1DTA command.</li> <li>■ *JOB: The value of this argument will be derived from the "Default coded character set identifier" of the job that invokes the YCVTSPLF command.</li> <li>■ CCSID: Specify the effective CCSID.</li> </ul>

Parameter	Definition	Value and Description
	<p>Specifies the internal "Conversion alternative" argument to the YCVTSPLF internal processing API</p>	<ul style="list-style-type: none"> <li data-bbox="1013 321 1430 552">■ *AUTO: The YCVTSPLF internal processing will determine an appropriate value for the conversion alternative. In the event that *AUTO does not provide successful conversion, specify 0, 57 or 102.</li> <li data-bbox="1013 573 1430 1024">■ 0: This will be passed to the YCVTSPLF internal processing API. The IBM-defined default conversion method and the associated conversion tables. Most of the default tables follow the round-trip conversion criterion. For the default tables that do not follow the round-trip conversion criterion, see the Globalization topic in the IBM i Information Center. See DBFCCSID and STMFCODPAG for further details.</li> <li data-bbox="1013 1045 1430 1360">■ 57: This 57 will be passed to the YCVTSPLF internal processing API. The enforced subset match (substitution) criterion. For the CCSID conversion pairs that support this criterion, refer to the Globalization topic in the IBM i Information Center. See DBFCCSID and STMFCODPAG for further details.</li> <li data-bbox="1013 1381 1430 1570">■ 102: This will be passed to the YCVTSPLF internal processing API. The best-fit conversion criterion for character mismatch. See DBFCCSID and STMFCODPAG for further details.</li> </ul>

Parameter	Definition	Value and Description
	<p>Specifies the effective stream file code page of the resultant stream file.</p> <p>Note: The YCVTSPLF processing will convert the spooled file to a stream file by converting FROM the CCSID specified in DBFCCSID, TO the CCSID specified in STMFCODPAG.</p> <p>Ideally the DBFCCSID (from CCSID) should map to the STMFCODPAG (to CCSID). See the following link for supported mappings:</p> <p><a href="http://publib.boulder.ibm.com/infocenter/IBM/i/v5r3/index.jsp?topic=/nls/rbagccsidmappings.htm">http://publib.boulder.ibm.com/infocenter/IBM/i/v5r3/index.jsp?topic=/nls/rbagccsidmappings.htm</a></p>	<ul style="list-style-type: none"> <li>■ *YSTMFCOD: The value of this argument will be derived from the YSTMFCOD data area in the library list. If the YSTMFCOD data area does not exist in the library list an error will be thrown. The YSTMFCOD data area can be created with the YCRTY1DTA command.</li> <li>■ *ASCII: Equivalent to passing 819 (ASCII).</li> <li>■ *WINDOWS: Equivalent to passing 1252 (Windows default encoding).</li> <li>■ stream-file-code-page: Specify the code page of the resultant stream file.</li> </ul>
	<p>Specifies the skeleton to be used for generation of the PDF format.</p> <p><b>Note:</b> The PDFSKL parameter is only relevant when the PC File Type (TYPE) argument is *PDF.</p>	<ul style="list-style-type: none"> <li>■ *YPDFSKL: The value of this argument will be derived from the YPDFSKL data area in the library list. If the YPDFSKL data area does not exist in the library list an error will be thrown. The YPDFSKL data area can be created with the YCRTY1DTA command.</li> <li>■ *WEST: The PDF file will be formatted to present non Japanese fonts. For example, *WEST is appropriate when DBFCCSID/STMFCODPAG is 7/819 or 285/1252.</li> <li>■ *JPN: The PDF file will be formatted to present Japanese fonts. For example, *JPN is appropriate when DBFCCSID/STMFCODPAG is 5035/932 or 5026/932.</li> </ul>

Parameter	Definition	Value and Description
	Specifies the size of font to be used for generation of the PDF format.	<p>font-size Specify the font size</p> <p><b>Note:</b> The FONTSIZ parameter is only relevant when the PC File Type (TYPE) argument is *PDF.</p> <p><b>Note:</b> Specifying FONTSIZ &gt; 10 can cause overlap between lines of data in the PDF. Adequate spacing between lines in the spooled file can prevent this.</p>
	Specifies whether an existing PC file in the selected directory should be replaced.	<ul style="list-style-type: none"> <li>■ *YES: If a PC file of the same name and type exists in the selected directory, it will be replaced with the PC file created by this command.</li> <li>■ *NO: If a PC file of the same name and type exists in the selected directory, it will not be replaced.</li> </ul>
	Specifies whether the selected spooled file should be deleted from the IBM i after being converted.	<ul style="list-style-type: none"> <li>■ *NO: The selected spooled file will not be deleted after being converted.</li> <li>■ *YES: The selected spooled file will be deleted after being converted.</li> </ul>
	Qualified name of the conversion table used to convert data from the spooled file to the PC file.	<ul style="list-style-type: none"> <li>■ *NONE: No conversion table will be used to convert the data.</li> <li>■ conversion-table: The data is converted using a conversion table.</li> </ul>

## Notes

If you are using YCVTSPLF library with Japanese or Simplified Chinese DBFCCSID values, you must use the following suggested DBFCCSID and STMFCODPAG mappings while running YCVTSPLF.

### Simplified Chinese

DBFCCSID(1388) STMFCODPAG(1386)

### Japanese

DBFCCSID(5035) STMFCODPAG(932)

DBFCCSID(5026) STMFCODPAG(932)

DBFCCSID(1399) STMFCODPAG(943)

## Examples

The following command converts spooled file *YCHKMDLL1\$* with File number 3, from job *QPADEV0005* with specified job number and user, to an HTML file (with the same name) in folder *'/ysplf/coxpa02'* on the IFS.

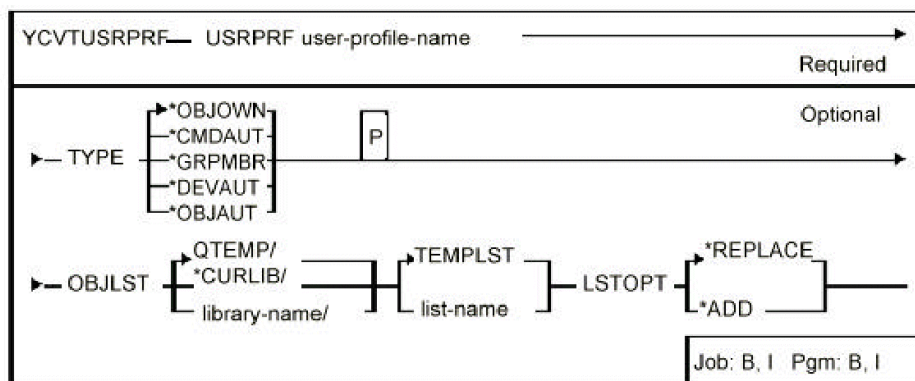
Additionally, by using the FMTOPT and OPTTXT parameters, we have specified that any instance of text *'YAPPFILRFP'* in the document will be underlined.

```
YCVTSPLF FILE(YCHKMDLL1$) JOB(304841/COX4002/QPADEV0005) SPLNBR(3)
FMTOPT(*UNDERLINE) OPTTXT(YAPPFILRFP)
```

## YCVTUSRPRF (Convert User Profile)

This command creates an object list of all the objects owned or accessible by a user, using the output of the i OS command Display User Profile (DSPUSRPRF).

## Syntax Diagram



## Parameters

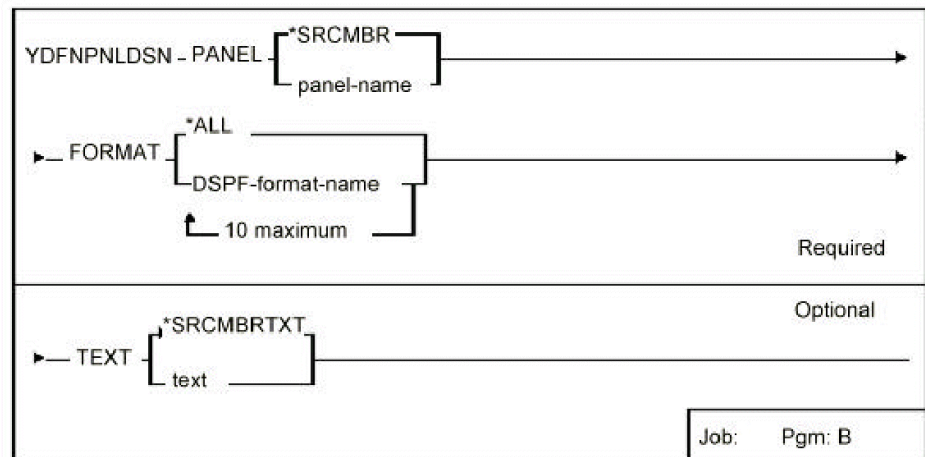
Parameter	Definition	Value and Description
USRPRF	Name of user profile whose objects are to be included in the list	
TYPE	Type of objects to be included in the list.	Can be one of the following types: <ul style="list-style-type: none"> <li>■ *OBJOWN: (default) Objects owned by the user profile</li> <li>■ *CMDAUT: Commands to which the user profile is explicitly authorized</li> <li>■ *GRPMBR: If the profile is a group profile, all the profiles belonging to the user profile group</li> <li>■ *DEVAUT: Device descriptions to which the user profile is explicitly authorized</li> <li>■ *OBJAUT: Objects to which the user profile is explicitly authorized</li> </ul>
OBJLST	Qualified name of object list that is to be built	QTEMP/TEMPLST: (default) List name

Parameter	Definition	Value and Description
LSTOPT	List replacement option	<ul style="list-style-type: none"> <li>■ *REPLACE: (default) Create a new list replacing any previous list's contents</li> <li>■ *ADD: Add to any existing list's contents</li> </ul>

## YDFNPNLDSN (Define Panel Design)

This command defines a combination of DDS display formats for use by the command Retrieve Panel Design (YRTVNLDSN). The command should be placed as a comment statement in the source of the Display file DDS which is retrieved into a panel design.

### Syntax Diagram



### Parameters

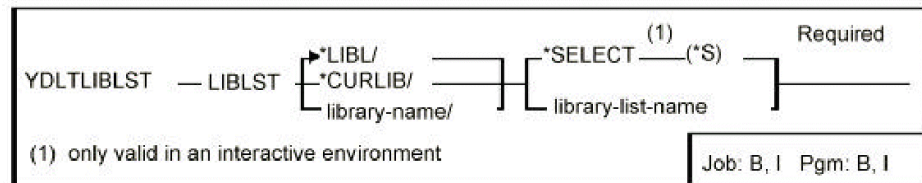
Parameter	Definition	Value and Description
PANEL	Name to be given to retrieved panel design. Any existing version of the design is replaced	*SRCMBR: (default) Panel design is given the same name as the source member containing the YDFNPNLDSN command

Parameter	Definition	Value and Description
FORMAT	List of names of up to ten display file formats in the source member which are to be combined to make a single panel design	*ALL: (default) All formats in the specified source member is retrieved
TEXT	Title to be given to panel design	*SRCMBRTXT: (default) Design is given the same text as the source member which contains the YDFNPNLDSN command

## YDLTLIBLST (Delete Library List)

This command deletes a library list.

### Syntax Diagram



### Parameters

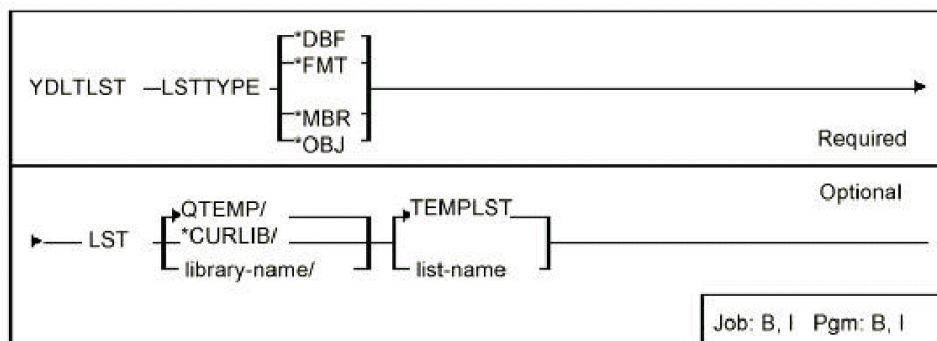
Parameter	Definition	Value and Description
LIBLST	Qualified name of deleted library list	*SELECT: Display list of existing lists

## YDLTLST (Delete Library List)

This command deletes an object, member, format or database file list.



## Syntax Diagram



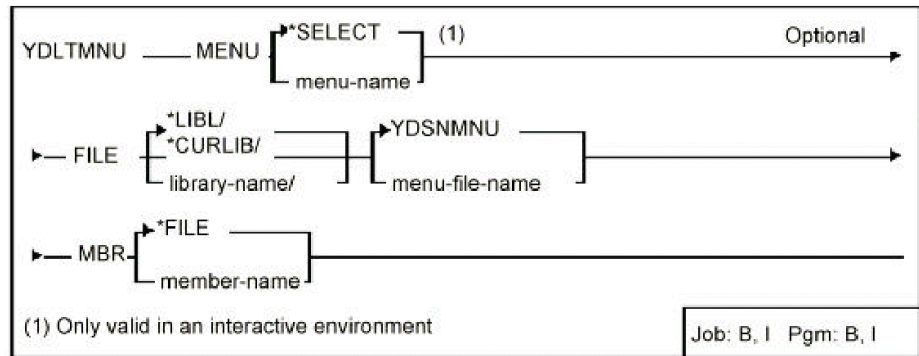
## Parameters

Parameter	Definition	Value and Description
LSTTYPE	List type of the deleted list	<ul style="list-style-type: none"> <li>■ *DBF: Database file list</li> <li>■ *FMT: Format list</li> <li>■ *MBR: Member list</li> <li>■ *OBJ: Object list</li> </ul>
LST	Qualified name of the deleted list	QTEMP/TEMPLST: (default) List name

## YDLTMNU (Delete Menu)

This command deletes a menu.

## Syntax Diagram



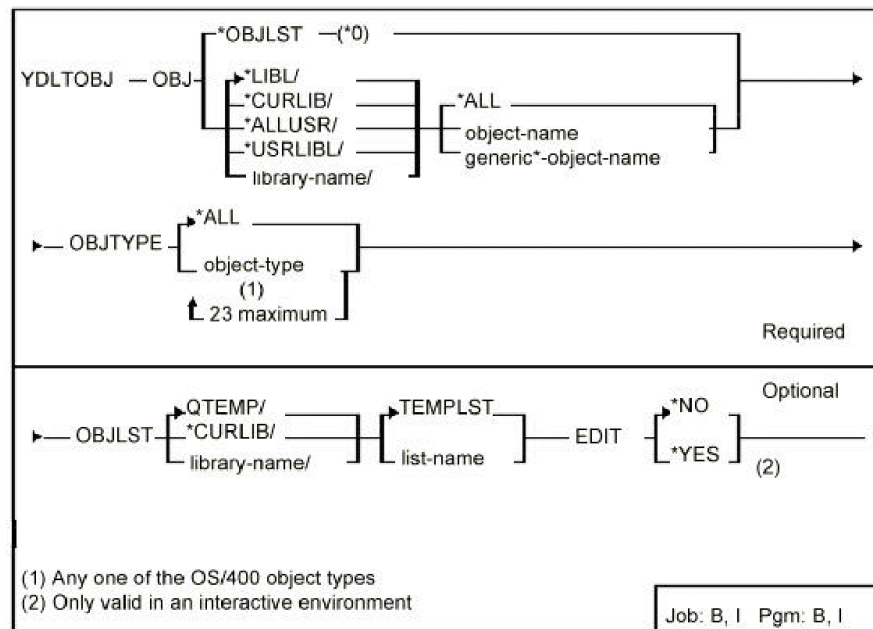
## Parameters

Parameter	Definition	Value and Description
MENU	Name of the deleted menu	*SELECT: (default) Display list of existing menus
FILE	Qualified name of file containing menu	*LIBL/YDSNMNU: (default) Name for menu file
MBR	Name of member in file containing menu	*FILE: (default) Member name is same as file name

## YDLTOBJ (Delete Object)

This command deletes an object or objects.

## Syntax Diagram



## Parameters

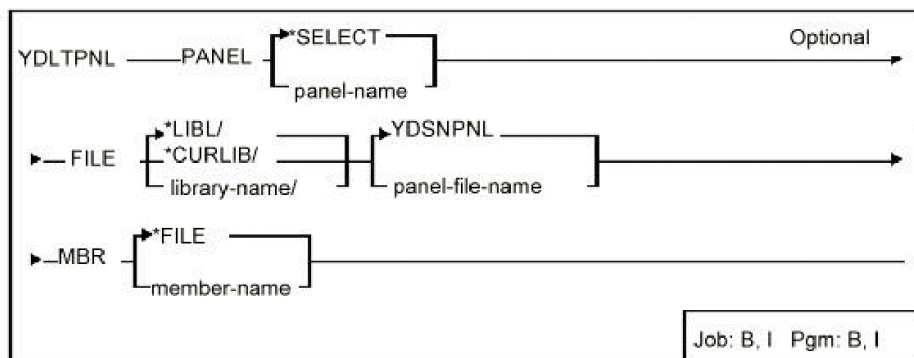
Parameter	Definition	Value and Description
OBJ	Qualified generic name of objects which are to be deleted	<ul style="list-style-type: none"> <li>■ *OBJLST: (default) Objects are specified by a object list whose name is given by the OBJLST parameter</li> <li>■ *ALL: All objects</li> </ul>
OBJTYPE	List of types of objects which are to be deleted	*ALL: (default) All object types
OBJLST	Qualified name of deleted objects in the object list	QTEMP/TEMPLST: (default) Name for list If OBJ(*OBJLST) is specified an existing list is used. Otherwise a new list is created

Parameter	Definition	Value and Description
EDIT	Edit list option	<ul style="list-style-type: none"> <li>■ *NO: (default) Edit list function is not to be invoked</li> <li>■ *YES: Edit the list once built (valid only for interactive programs)</li> </ul>

## YDLTPNL (Delete Panel Design)

This command deletes a panel design.

### Syntax Diagram



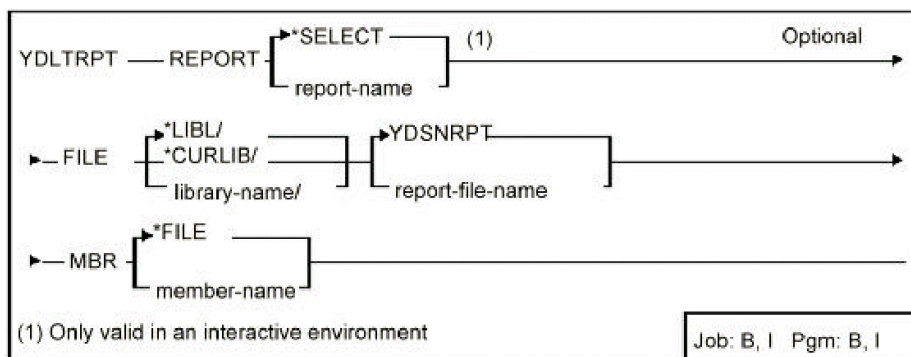
### Parameters

Parameter	Definition	Value and Description
PANEL	Name of the deleted panel design	*SELECT: (default) The panel design selection display is presented
FILE	Qualified name of file containing panel design	YDSNPNL: (default) Panel file name
MBR	Name of member in file containing panel design	*FILE: (default) The member has the same name as the file

## YDLTRPT (Delete Report Design)

This command deletes a report design.

### Syntax Parameters



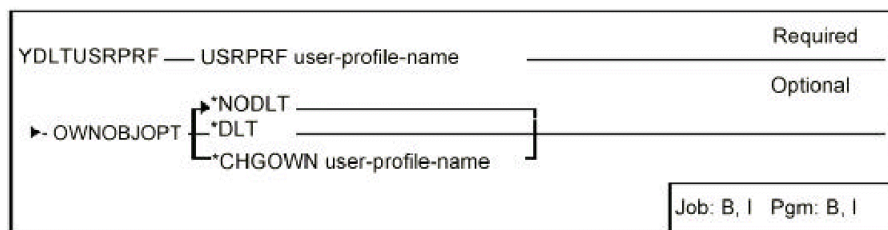
### Parameters

Parameter	Definition	Value and Description
REPORT	Name of deleted report design	*SELECT: (default) The report design selection display is presented
FILE	Qualified name of file containing report design	YDSNRPT: (default) Report design file name
MBR	Name of member in file containing report design	*FILE: (default) The member has the same name as the file

## YDLTUSRPRF (Delete User Profile)

This command deletes a specified user profile, where both the i OS user profile and the profile details are deleted.

## Syntax Diagram



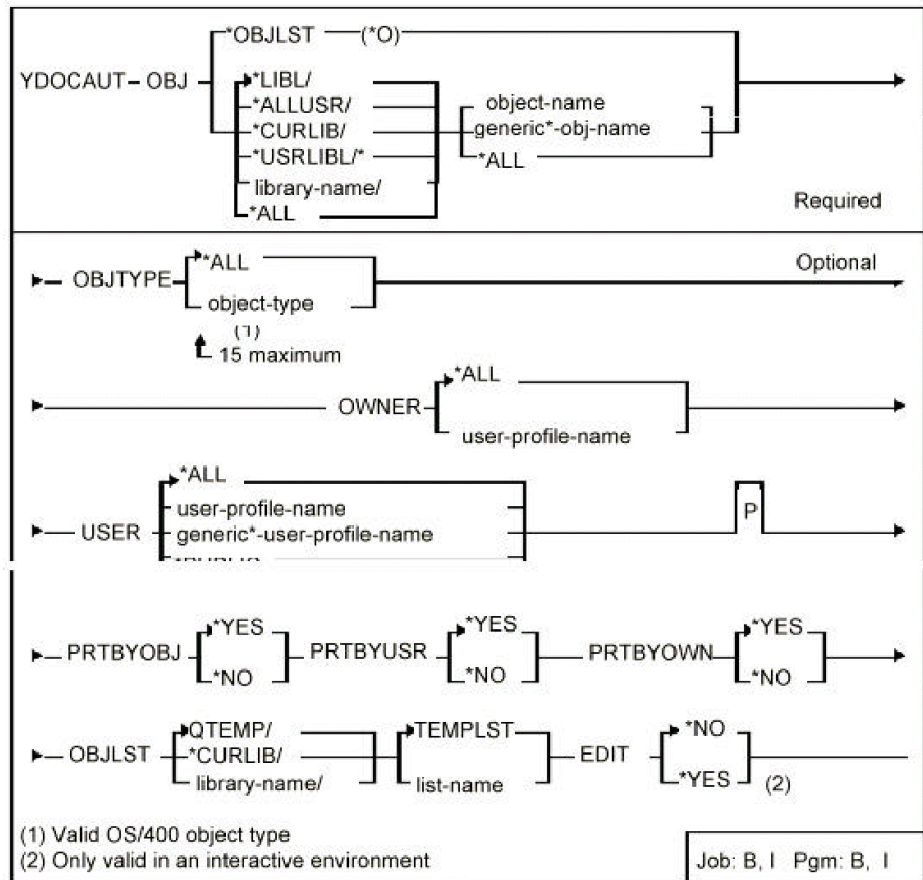
## Parameters

Parameter	Definition	Value and Description
USRPRF	Name of deleted user profile	
OWNOBJOPT	Specifies the type of operations being performed on the owned objects of the user profile being deleted	<ul style="list-style-type: none"> <li>■ *n NODLT&lt;M%-2&gt;: (default) the owned objects for the user profile are not changed, and the user profile is not deleted if the user owns any objects</li> <li>■ &lt;M%-4&gt;*DLT: The owned objects for the user profile are deleted. The user profile is also deleted if the deletion of all owned objects is successful</li> <li>■ *CHGOWN: The owned objects for the user profile have ownership transferred to the specified user profile. The user profile is deleted if the transfer of all owned objects is successful</li> <li>■ A user profile name must be specified for the new user profile. The new user profile owns all objects owned by the user profile specified by the USRPRF parameter</li> </ul>

## YDOCAUT (Document Object Authorities)

This command documents object authorities, by object, owner, or user profile names.

### Syntax Diagram



### Parameters

Parameter	Definition	Value and Description
OBJ	Qualified generic name of objects which are included in cross-reference listing	<ul style="list-style-type: none"> <li>*OBJLST: (default) Use the list of objects specified by the OBJLST parameter</li> </ul>

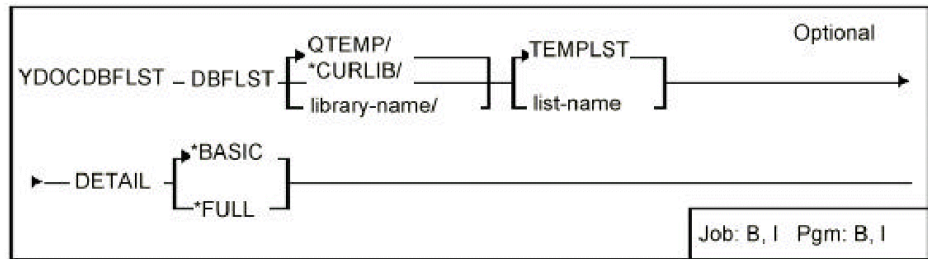
Parameter	Definition	Value and Description
OBJTYPE	Lists object types included in the listing	<ul style="list-style-type: none"> <li>■ *ALL: (default) All objects are to be included</li> </ul>
OWNER	User profile name of owner of objects which are included in listing	<ul style="list-style-type: none"> <li>■ *ALL: (default) Objects are to be include for all object owners</li> </ul>
USER	Generic name of user profiles which are included in cross-reference listing	<ul style="list-style-type: none"> <li>■ *ALL: (default) Objects are to be included for all object users</li> <li>■ *PUBLIC: Include objects for which user *PUBLIC is specified as an authorized user</li> <li>■ *NONE: Include objects for which no authorized user is specified</li> </ul>
PRTBYOBJ	Cross-reference by object option	<ul style="list-style-type: none"> <li>■ *YES: (default) List authorities in object order</li> <li>■ *NO: No object order list is produced</li> </ul>
PRTBYUSR	Cross-reference by user option	<ul style="list-style-type: none"> <li>■ *YES: (default) List authorities in object user order</li> <li>■ *NO: No object user list is produced</li> </ul>
PRTBYOWN	Cross-reference by owner option	<ul style="list-style-type: none"> <li>■ *YES: (default) List authorities in object owner order</li> <li>■ *NO: No object owner list is produced</li> </ul>
OBJLST	Qualified name of object list	<ul style="list-style-type: none"> <li>■ QTEMP/TEMPLST: (default) List name</li> </ul>
EDIT	List operation	<ul style="list-style-type: none"> <li>■ *NO: (default) Do not invoke the edit list function</li> <li>■ *YES: The edit list function is to be invoked on the list before the cross-reference is run</li> </ul>

## YDOCDBFLST (Document DBF List)

This command prints the contents of a database file list.



## Syntax Diagram



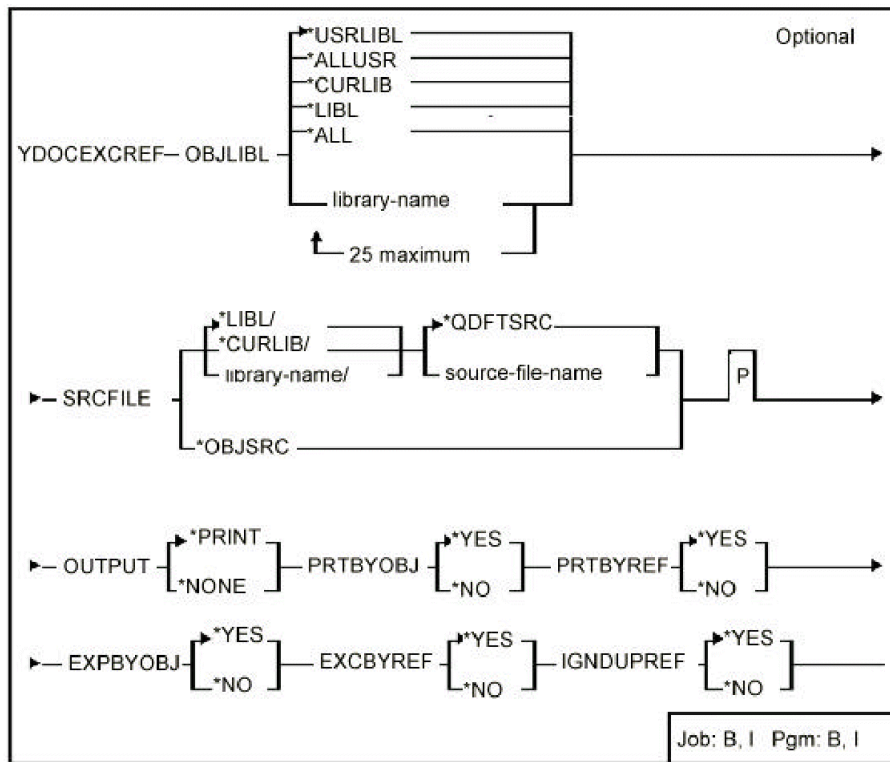
## Parameters

Parameter	Definition	Value and Description
DBFLST	Qualified name of the printed database file	<ul style="list-style-type: none"> <li>QTEMP/TEMPLST: (default) List name</li> </ul>
DETAIL	Level of detail to print	<ul style="list-style-type: none"> <li>*BASIC: (default) Print only basic details about each dbf file (name, library, type, text)</li> <li>*FULL: Print additional information about each dbf file</li> </ul>

## YDOCEXCREf (Document Execution References)

This command produces a cross-reference listing all source references to executable objects. Listings may be produced of referenced objects by calling object, or vice versa.

## Syntax Diagram



## Parameters

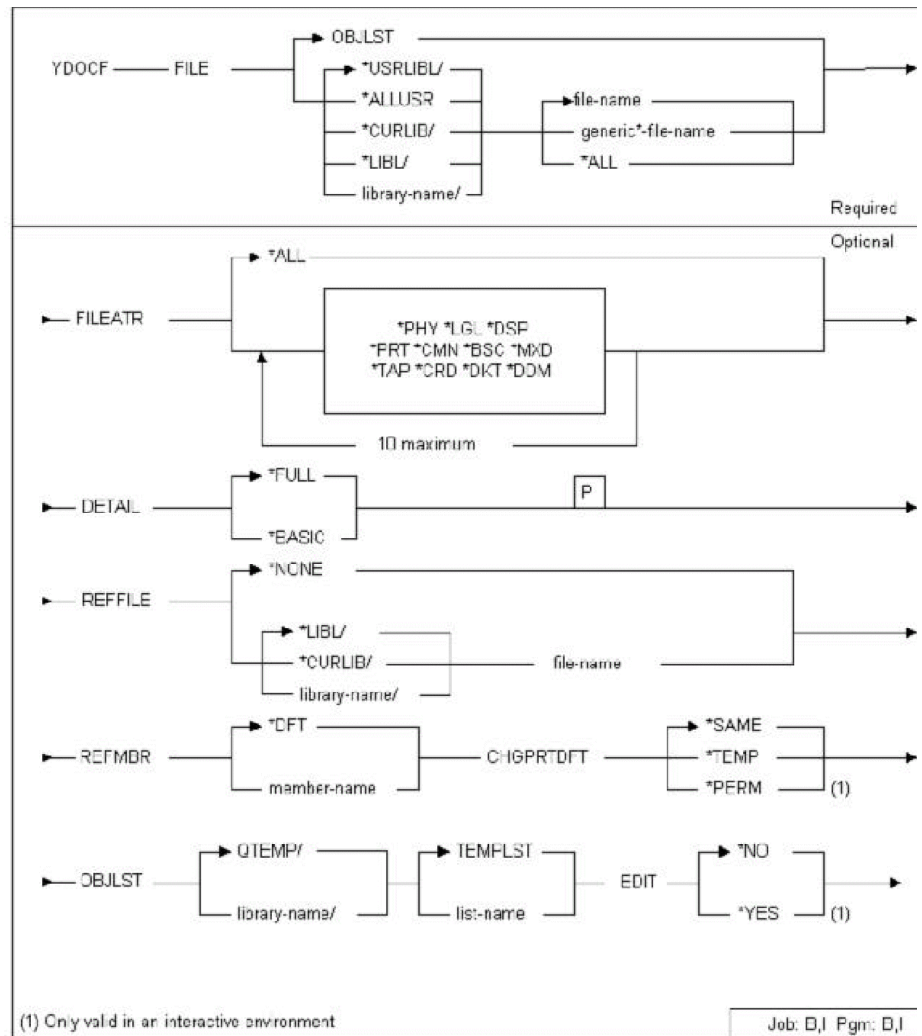
Parameter	Definition	Value and Description
OBJLIBL	List of libraries searched to locate objects which are included in listing	<ul style="list-style-type: none"> <li>■ *USRLIBL: (default) Use user portion of library list to locate objects</li> <li>■ *LIBL: Use library list to locate objects</li> <li>■ *ALL: Use all libraries on machine</li> <li>■ *ALLUSR: Use all user libraries on machine to locate objects</li> <li>■ *CURLIB: Use current library to locate objects</li> <li>■ SRCFILE Qualified source file name for CL and RPG III source members containing references to be tabulated</li> <li>■ *QDFTSRC: (default) The source file name defaults to QCLSRC or QRPGSRC depending on program type</li> <li>■ *OBSRC: The source file name is taken from the source file name in the object description</li> </ul>
OUTPUT	Output option	<ul style="list-style-type: none"> <li>■ *PRINT: (default) Printed output is to be produced</li> <li>■ *NONE: No printed output is required</li> </ul>
PRTBYOBJ	Produce a report of referenced objects by calling object	<ul style="list-style-type: none"> <li>■ *YES: (default) A listing is produced</li> <li>■ *NO: A listing is not produced</li> </ul>
PRTBYREF	Produce a report of calling objects by referenced object	<ul style="list-style-type: none"> <li>■ *YES: (default) A listing is produced</li> <li>■ *NO: A listing is not produced</li> </ul>

Parameter	Definition	Value and Description
EXPBYOBJ	Produce an explosion report of referenced objects by calling object	<ul style="list-style-type: none"><li>■ *YES: (default) A listing is produced</li><li>■ *NO: A listing is not produced</li></ul>
EXPBYREF	Produce an explosion report of calling objects by referenced object	<ul style="list-style-type: none"><li>■ *YES: (default) A listing is produced</li><li>■ *NO: a listing is not produced</li></ul>
IGNDUPREF	Ignore duplicate references option	<ul style="list-style-type: none"><li>■ *YES: (default) Omit duplicate references to the same program by a given program</li><li>■ *NO: Include duplicate references to the same program by a given program</li></ul>

## YDOCF (Document File)

This command prints summary information about a specified file or files. Object, format, field, and access path information is included.

## Syntax Diagram



## Parameters

Parameter	Definition	Value and Description
FILE	Qualified generic name of files that are to be listed	<ul style="list-style-type: none"> <li>■ *OBJLST: List files specified in object list named by the OBJLST parameter.</li> <li>■ *ALL: List all file types</li> </ul>
FILEATR	List of attributes of files that are to be listed	*ALL: (default) List all types of file
DETAIL	Level of detail required	<ul style="list-style-type: none"> <li>■ *FULL: A 132 column report for documentation</li> <li>■ *BASIC: An 80 column report suitable for a system specification</li> </ul>
REFFILE	Qualified name of source file containing DDS for field reference file. See note below for further details	*NONE: (default) Text from the field reference source member is not to be printed
REFMBR	Name of source file member containing DDS for field reference file	*DFT: (default) The name of the field reference file is taken from the design defaults
CHGPRTDFT	Change print defaults	<ul style="list-style-type: none"> <li>■ *SAME: (default) The print defaults are not to be changed</li> <li>■ *TEMP: The print defaults are to be changed for the current operation only</li> <li>■ *PERM: The print defaults are to be changed permanently</li> </ul> <p>N.B. only *SAME may be used for batch jobs</p>
OBJLST	Qualified name of a object list to be used to identify the files to be documented	<p>QTEMP/TEMPLST: (default) List name.</p> <p>To use an existing list, specify value of *OBJLST for the FILE parameter</p>

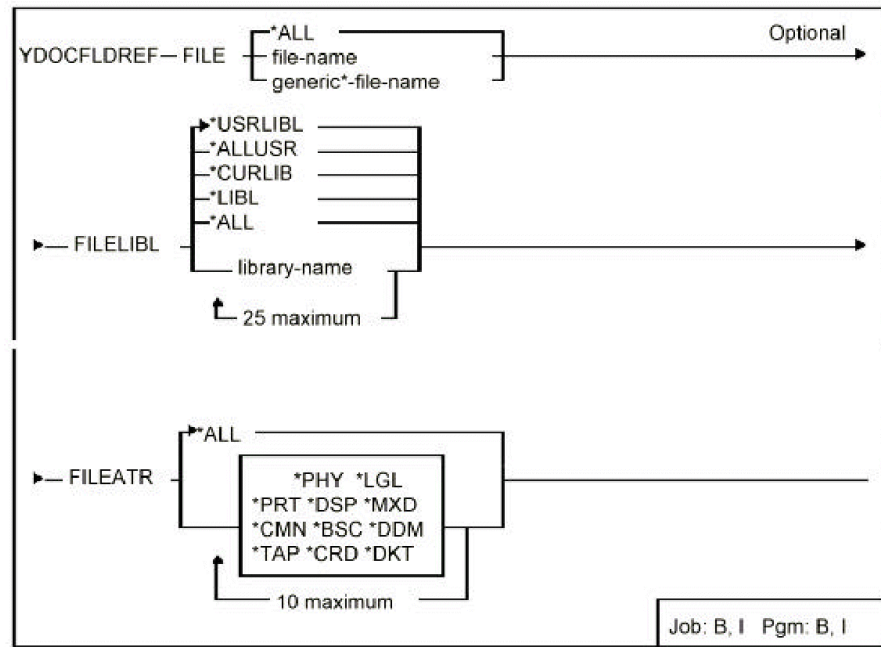
Parameter	Definition	Value and Description
EDIT	Edit object list option	<ul style="list-style-type: none"> <li>■ *NO: (default) Edit list function is not invoked</li> <li>■ *YES: Invoke edit list function to edit list before executing print</li> </ul>

■

## YDOCFLDREF (Document Field References)

This command prints a cross-reference of fields for a specified group of files.

### Syntax Diagram



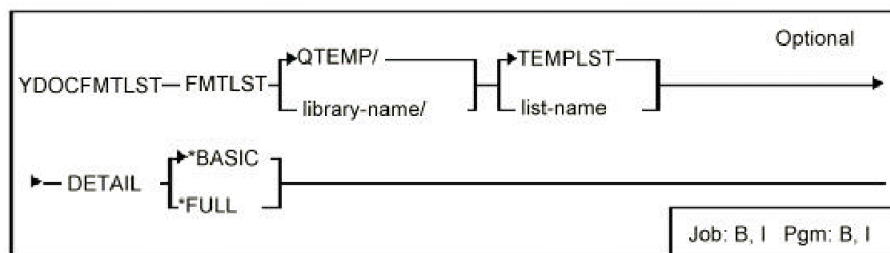
## Parameters

Parameter	Definition	Value and Description
FILE	Qualified generic name of files which are to be cross-referenced	*ALL: (default) List all files
FILELIBL	List of libraries to be used to locate files which are to be included in cross-reference listing	<ul style="list-style-type: none"> <li>■ *USRLIBL: (default) Use library list to locate files</li> <li>■ *LIBL: Use library list to locate files</li> <li>■ *CURLIB: Use current library to locate files</li> <li>■ *ALL: Use all libraries on machine</li> <li>■ *ALLUSR: Use all user libraries on machine to locate files</li> </ul>
FILEATR	List of attributes of the files which are to be listed	*ALL: (default) List all file types

## YDOCFMTLST (Document Format List)

This command prints the contents of a format list.

### Syntax Diagram





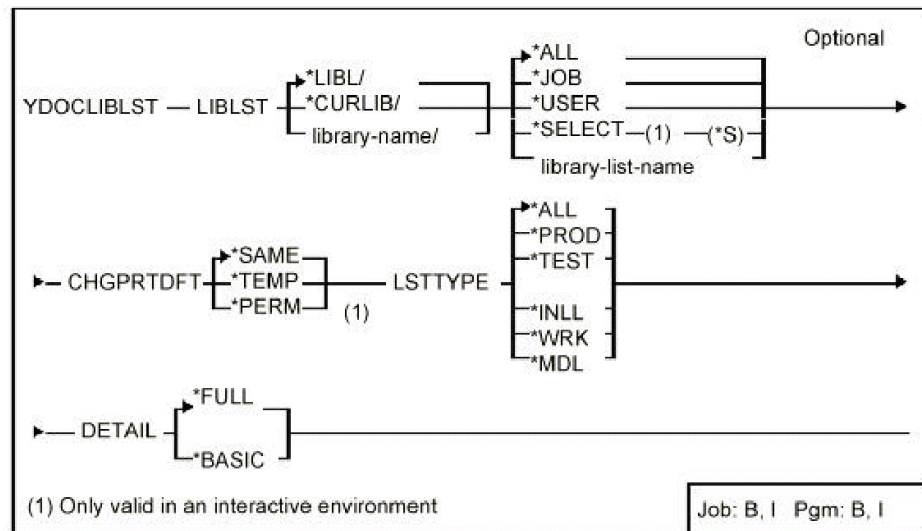
## Parameters

Parameter	Definition	Value and Description
FMTLST	Qualified name of the format list which is to be printed	QTEMP/TEMPLST: (default) List name
DETAIL	Level of detail to print	<ul style="list-style-type: none"> <li>■ *BASIC: (default) Print only basic details about each format (name, file, library, file attribute, text)</li> <li>■ *FULL: In addition to the above, print the format level identifier</li> </ul>

## YDOCLIBLST (Document Library)

This command prints library lists.

### Syntax Diagram



## Parameters

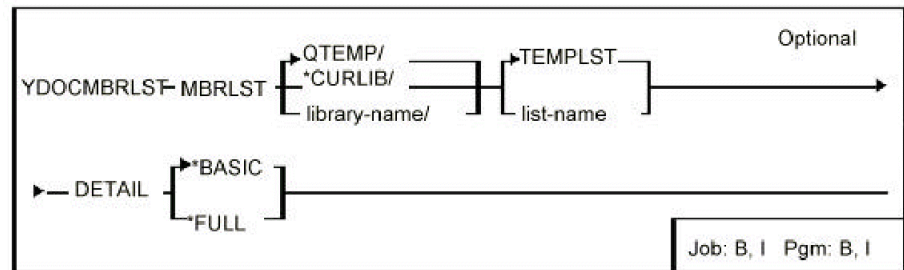
Parameter	Definition	Value and Description
LIBLST	Qualified generic name of library lists that are documented	<ul style="list-style-type: none"> <li>■ *ALL: (default) Document all library lists</li> <li>■ *JOB: Use same library list name as that of current job</li> <li>■ *USER: Use same library list name as that of current user profile</li> <li>■ *SELECT: Display list of library lists contained in specified library, and allow one library list to be selected</li> </ul>
CHGPRTDFT	Change default print attributes of output	<ul style="list-style-type: none"> <li>■ *SAME: (default) The print defaults are not changed</li> <li>■ *TEMP: The print defaults are changed for the current operation only</li> <li>■ *PERM: The print defaults are changed permanently</li> </ul>
LSTTYPE	Library list type	<ul style="list-style-type: none"> <li>■ *ALL: select all library lists.</li> <li>■ *PROD</li> <li>■ *TEST</li> <li>■ *INLL</li> <li>■ *WRK</li> <li>■ *MDL</li> </ul>
DETAIL	Detail	<ul style="list-style-type: none"> <li>■ *FULL (default)</li> <li>■ *BASIC</li> </ul>

■

## YDOCMBRLST (Document Member List)

This command prints the contents of a member list.

## Syntax Diagram



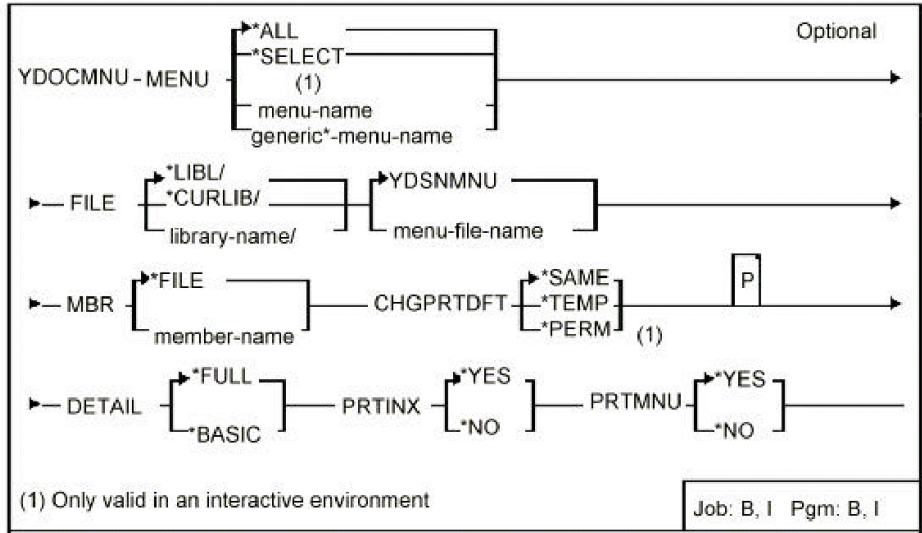
## Parameters

Parameter	Definition	Value and Description
MBRLST	Qualified name of the member list which is to be printed	QTEMP/TEMPLST: (default) List name
DETAIL	Level of detail to print	<ul style="list-style-type: none"> <li>■ *BASIC: (default) Print only basic details about each member (name, library, SEU type, text)</li> <li>■ *FULL: Print additional information about each member</li> </ul>

## YDOCMNU (Document Menu)

This command prints menus.

### Syntax Diagram



### Parameters

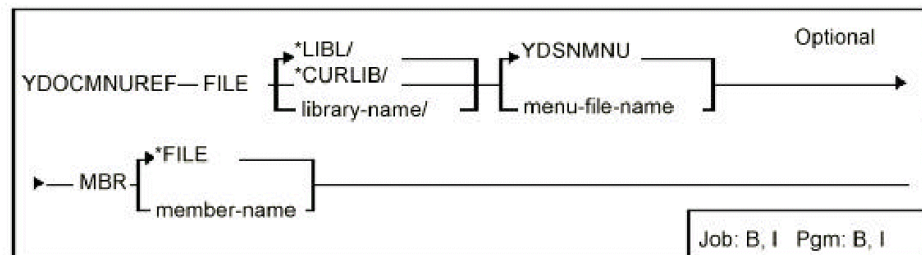
Parameter	Definition	Value and Description
MENU	Generic name of menu or menus which are to be documented	<ul style="list-style-type: none"> <li>■ *ALL: (default) All menus in the file are to be documented</li> <li>■ *SELECT: A list of menus will be presented</li> </ul>
FILE	Qualified name of file containing menus, which are documented. File must have been created with Create Design File (YCRTDSNF) command	*LIBL/YDSNMNU: (default) Menu file name
MBR	Name of member in menu file containing menus	*FILE: (default) The member has the same name as the file

Parameter	Definition	Value and Description
CHGPRTDFT	Change print defaults	<ul style="list-style-type: none"> <li>■ *SAME: (default) The print defaults are not changed</li> <li>■ *TEMP: The print defaults are changed for the current operation only</li> <li>■ *PERM: The print defaults are changed permanently</li> </ul>
		N.B. Only *SAME may be used for batch jobs
DETAIL	Level of detail to be included	<ul style="list-style-type: none"> <li>■ *FULL: (default) Print full documentation</li> <li>■ *BASIC: Only print menu screen images</li> </ul>
PRTINX	Print menu index	<ul style="list-style-type: none"> <li>■ *YES: (default) The index is listed.</li> <li>■ *NO: No index is listed</li> </ul>
PRTMNU	Print menus	<ul style="list-style-type: none"> <li>■ *YES: (default) The menus are listed</li> <li>■ *NO: Menus are not listed</li> </ul>

## YDOCMNUREF (Document Menu References)

This command prints usage of menus by option.

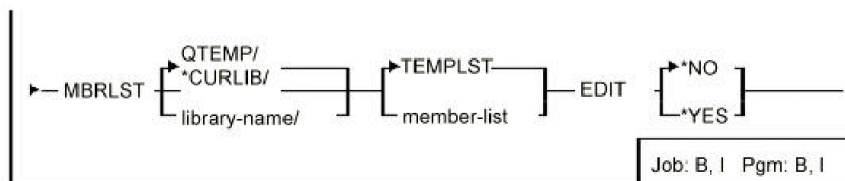
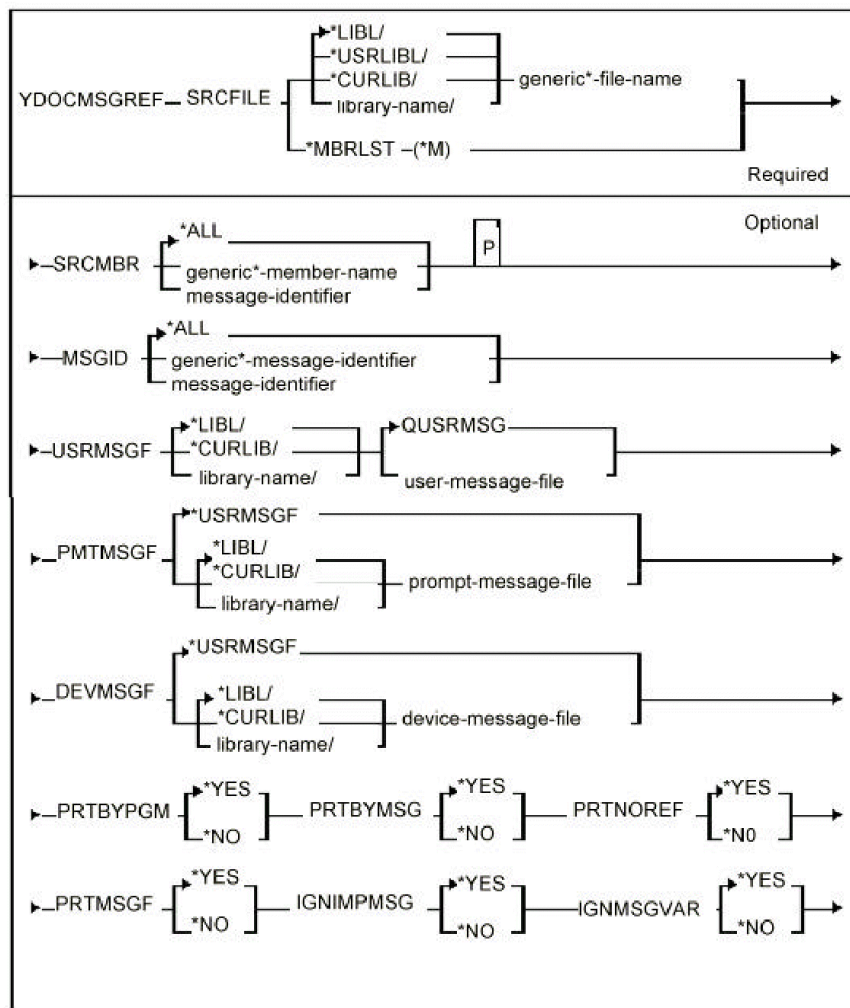
### Syntax Diagram



## Parameters

Parameter	Definition	Value and Description
FILE	Qualified name of file containing menus to be cross-referenced	*LIBL/YDSNMNU: (default) Name
MBR	Name of member in menu file containing menus	*FILE: (default) The member has the same name as the file

## Syntax Diagram



## Parameters

Parameter	Definition	Value and Description
SRCFILE	Qualified generic name of programs whose message references are documented	*MBRLST: (default) Use the member list named in the MBRLST parameter to identify the source members which are processed
SRCMBR	Generic name of members contained in the specified source file(s), which are included in the cross-referencing	*ALL: (default) Use all members in the files, or contained in the specified list
MSGID	Generic message identifier upon which the cross-referencing is based	*ALL: (default) Include all message identifiers
USRMSGF	Qualified name of the message file from which first level message text is to be retrieved for any found message identifiers. This file is also used for the listing of unreferenced messages, and for the listing of messages in text order	*LIBL/QUSRMSG: (default) Message file name
PMTMSGF	Qualified name of the message file from which command prompt text is retrieved for any message identifiers found in command source. This file is also used for the listing of unreferenced messages, and for the listing of messages in text order	*USRMSGF: (default) Prompt messages are stored in the message file specified by the USRMSGF parameter



Parameter	Definition	Value and Description
DEVMSGF	Qualified name of the message file from which DDS prompt text (by use of the MSGCON keyword) is retrieved for any message identifiers found in DDS source. This file is also used for the listing of unreferenced messages, and for the listing of messages in text order	*USRMSGF: (default) Device messages are stored in the message file specified by the USRMSGF parameter
PRTBYPGM	Print messages by source member	<ul style="list-style-type: none"> <li>■ *YES: (default) A listing is produced</li> <li>■ *NO: A listing is not produced, but the work files are not cleared (see notes)</li> </ul>
PRTBYMSG	Print members by message identifier	<ul style="list-style-type: none"> <li>■ *YES: (default) A listing is produced</li> <li>■ *NO: A listing is not produced</li> </ul>
PRTNOREF	Print unreferenced messages from the file(s) specified on the USRMSGF and PMTMSGF parameters	<ul style="list-style-type: none"> <li>■ *YES: (default) a listing is produced</li> <li>■ *NO: a listing is not produced</li> </ul>
PRTMSGF	Print all messages from the file(s) specified on the USRMSGF and MSGF parameters, in ascending, first level text order	<ul style="list-style-type: none"> <li>■ *YES: (default) A listing is produced</li> <li>■ *NO: A listing is not produced</li> </ul>
IGNIMPMSG	Ignore impromptu messages	<ul style="list-style-type: none"> <li>■ *YES: (default) Impromptu messages are ignored. Only references to externally defined messages are documented</li> <li>■ *NO: impromptu messages is included</li> </ul>

---

Parameter	Definition	Value and Description
IGNMSGVAR	Ignore message variables	<ul style="list-style-type: none"><li>■ *YES: (default) References to variables containing message identifiers is ignored</li><li>■ *NO: References to variables are included: for instance 'SNDPGMMSG MSGID(&amp;MSGID)'</li></ul>
MBRLST	Qualified name of a member list	<ul style="list-style-type: none"><li>■ QTEMP/TEMPLST: (default) List name</li></ul>
EDIT	List edit option	<ul style="list-style-type: none"><li>■ *NO: (default) No editing is required</li><li>■ *YES: Invoke the edit member list function to edit the list before processing</li></ul>

---

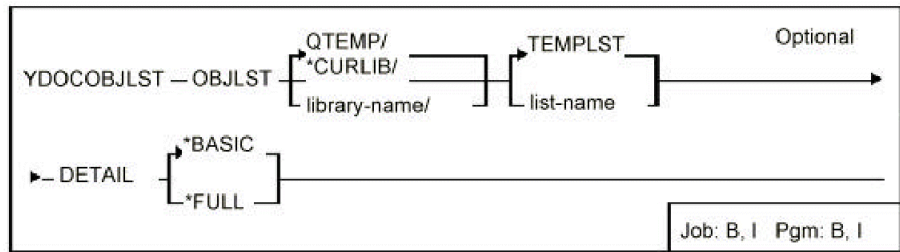
# Chapter 3: CA 2E Commands, YD to YW

This chapter lists the various commands available with CA 2E Toolkit from YDOCBJLST to YWRUSRPF.

## YDOCBJLST (Document Object List)

This command prints the contents of an object list.

### Syntax Diagram



### Parameters

Parameter	Definition	Value and Description
OBJLST	Qualified name of object list which is to be printed	QTEMP/TEMPLST (default) List name
DETAIL	Level of detail to print	<ul style="list-style-type: none"> <li>■ *BASIC: (default) Print only basic details about each object (name, library, type, text)</li> <li>■ *FULL: Print additional information about each object</li> </ul>

### Notes

None

## Example

Prints the contents of list TEMPLST in library QTEMP:

```
YDOCOBJLST
```

## Example

To document all programs in library APPPGM and APPDEV, using file library APPFIL.  
Source is in APPSRC:

```
YDOCPGM PGM(*ALL) PGMLIBL(APPGM APPDEV) FILELIBL(APPFIL) SRCFILE (APPSRC/*QDFTSRC)
```

## Examples

To display CPF messages beginning at CPF9801:

```
D MC CPF9801
```

To display CPF messages beginning at CPF9000:

```
D MC CPF9
```

To display your user profile's message queue:

```
D
```

To work with all jobs submitted by the workstation:

```
D W
```

To work with the print queue QPRINT in library QGPL:

```
D PQ
```

## Examples

To display panel ODEON with data and attributes:

```
YDSPPNL PANEL (ODEON)
```

To display panel ODEON to allow sample data to be changed:

```
YDSPPNL PANEL (ODEON) OPTION(*CHGDTA)
```

To display panel ODEON with attributes but no data:

```
YDSPPNL PANEL (ODEON) OPTION(*DSPATR)
```

## Notes

1. This command takes a long time to execute: even if only a single program is specified the command must analyze the entire library to obtain information about where the program is called.
2. The report produced by the YDOCPGM command contains the following sections for each program, command, or menu: Object header details and compiler options:
 

Compiler options as specified by Z\*or /\*Z: comment lines in source.  
Synopsis/Function narrative:

As specified by H\*or /\*H:comment lines in source.

  - File usage:
    - Files and data areas called by the program.
    - Compile-time file overrides as specified by Y\*or /\*Y:comment lines in source.
  - Linkage details:
    - Entry parameters
    - Objects and menus called by the program
    - Objects and menus that call the program. Maintenance notes:

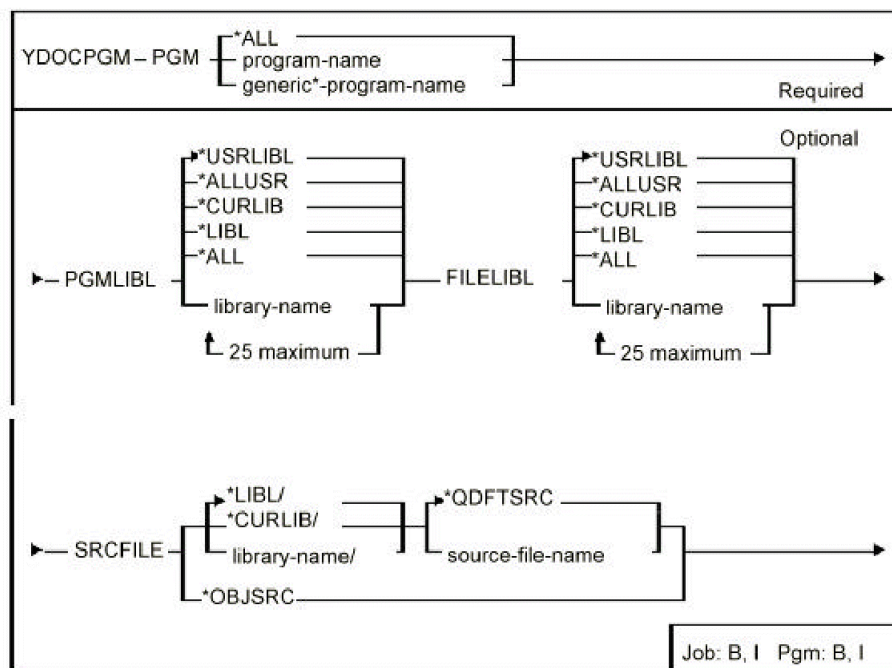
As specified by M\*or /\*M:comment lines in source. Warning notes:

As specified by W\*or /\*W:comment lines in source.
3. When run as part of an interactive job, the YDOCPGM command may not be used to document libraries that are in the system part of the job's library list. If you wish to document such libraries interactively, first use the i OS command Change System Value (CHGSYSVAL) to remove the libraries from the system part of the job's library list.
4. When run as part of a batch job, the YDOCPGM command always removes all libraries except QSYS from the system part of the job's library list. Thus the command may be used to document libraries that are in the system part of the library list. Note however, that if you use the YDOCPGM command in your own programs, you may want to restore the system part of the library list after invoking the command.

## YDOCPGM (Document Program command)

This command prints description of a program or programs: includes referenced objects and linkage details. Works for a command(s) and includes menu references.

## Syntax Diagram



## Parameters

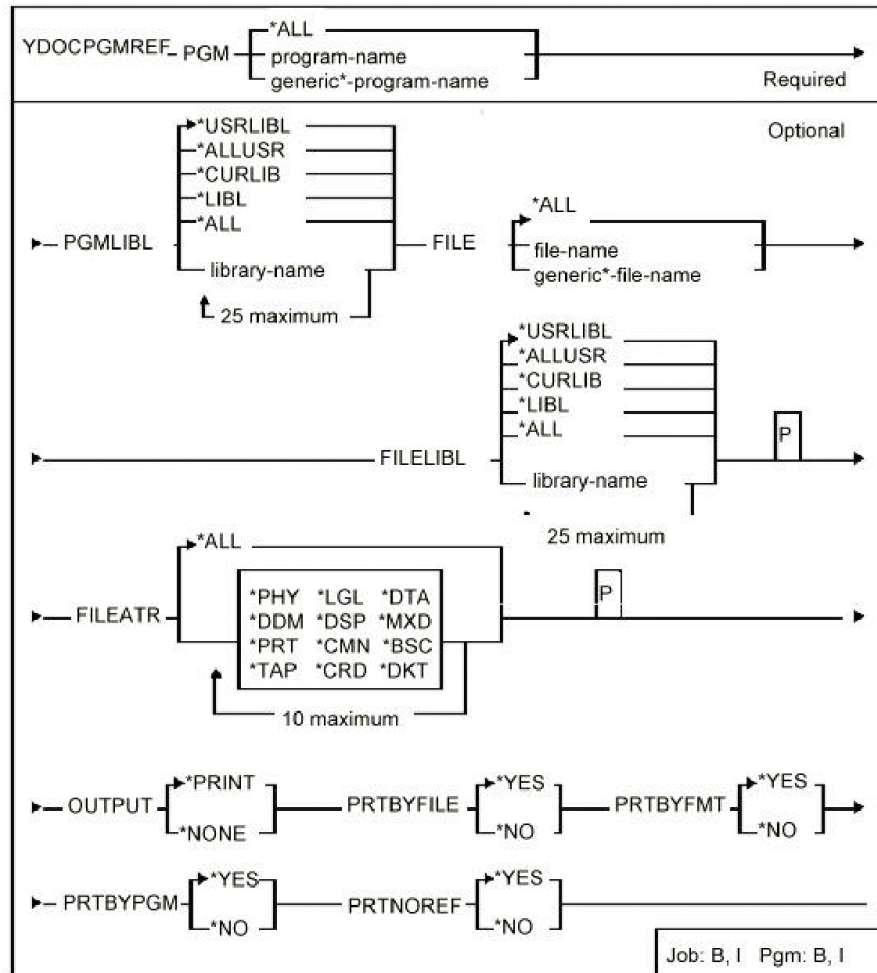
Parameter	Definition	Value and Description
PGM	Qualified generic name of programs/commands that are to be documented	*ALL: Include all programs/commands specified by the library list
PGMLIBL	List of libraries to be used to locate programs which are to be documented	<ul style="list-style-type: none"> <li>■ *USRLIBL: (default) Use user portion of library list to locate programs/commands</li> <li>■ *LIBL: Use library list to locate programs</li> <li>■ *CURLIB: Use current library to locate programs</li> <li>■ *ALL: Use all libraries on machine</li> <li>■ *ALLUSR: Use all user libraries on machine to locate programs</li> </ul>

Parameter	Definition	Value and Description
FILELIBL	List of libraries to be used to locate referenced files to be included in documentation	<ul style="list-style-type: none"> <li>■ *USRLIBL: (default) Use user portion of library list to locate files</li> <li>■ *LIBL: Use library list to locate files</li> <li>■ *CURLIB: Use current library to locate file</li> <li>■ *ALL: Use all libraries on machine</li> <li>■ *ALLUSR: Use all user libraries on machine to locate files</li> </ul>
SRCFILE	Qualified source file name for CL, RPG III and CMD source; used to obtain execution references and selected source comments	<ul style="list-style-type: none"> <li>■ *QDFTSRC: (default) The source file name defaults to QCLSRC, QRPGRSRC or QCMDSRC depending on object type</li> <li>■ *OBSRC: The source file name is taken from the source file name in the object description</li> </ul>

## YDOCPGMREF (Document Program References)

This command prints cross-references of usage data for a specified group of files and programs.

## Syntax Diagram



## Parameters

Parameter	Definition	Value and Description
PGM	Generic name of programs whose references are documented	<ul style="list-style-type: none"> <li>*ALL: (default) Includes all programs in specified program library list, as specified by the PGMLIBL parameter</li> </ul>



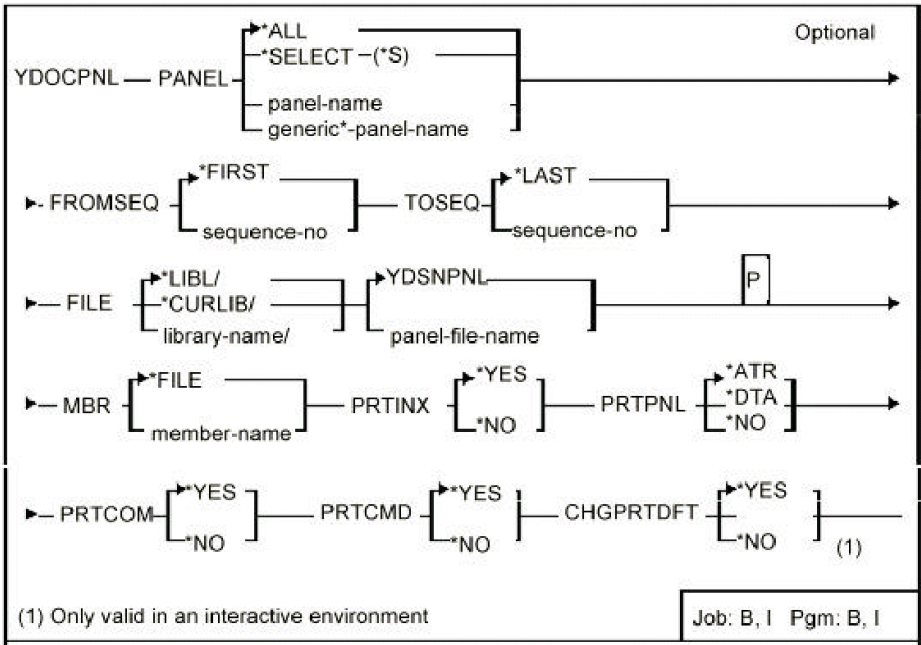
Parameter	Definition	Value and Description
PGMLIBL	List of libraries to be used to locate programs that are included in cross-reference	<ul style="list-style-type: none"> <li>■ *USRLIBL:(default) Use user portion of library list to locate programs</li> <li>■ *LIBL: Use library list to locate programs</li> <li>■ *CURLIB: Use current library to locate programs</li> <li>■ *ALL: Use all libraries on machine</li> <li>■ *ALLUSR: Use all user libraries on machine to locate programs</li> </ul>
FILE	Generic name of files that are cross-referenced	<ul style="list-style-type: none"> <li>■ *ALL: (default) Include in listing all files in specified file library list, as specified by the FILELIBL parameter</li> </ul>
FILELIBL	List of libraries used to locate files and other reference objects that are to be included in cross-reference	<ul style="list-style-type: none"> <li>■ *USRLIBL: (default) Use user portion of library list to locate files</li> <li>■ *LIBL: Use library list to locate files</li> <li>■ *CURLIB: Use current library to locate files</li> <li>■ *ALL: Use all libraries on machine</li> <li>■ *ALLUSR: Use all user libraries on machine to locate files</li> </ul>
FILEATR	List of attributes of files that are cross-referenced	<ul style="list-style-type: none"> <li>■ *ALL: (default) List all file types.</li> <li>■ Must be a valid i OS file type, or *DTA: list data areas</li> </ul>
OUTPUT	Output required	<ul style="list-style-type: none"> <li>■ *PRINT: (default) Printed output is to be produced</li> <li>■ *NONE: No printed output is required but the work files are not cleared</li> </ul>

Parameter	Definition	Value and Description
PRTBYFILE	Print programs by referenced file	<ul style="list-style-type: none"><li>■ *YES: (default) Listing is produced</li><li>■ *NO: Listing is not produced</li></ul>
PRTBYFMT	Print programs by referenced format	<ul style="list-style-type: none"><li>■ *YES: (default) Listing is produced</li><li>■ *NO: Listing is not produced</li></ul>
PRTBYPGM	Print files/formats by referenced program	<ul style="list-style-type: none"><li>■ *YES: (default) Listing is produced</li><li>■ *NO: Listing is not produced</li></ul>
PRTNOREF	Print files included by the file selection criteria which are not referenced by the programs included in the program selection criteria	<ul style="list-style-type: none"><li>■ *YES: (default) Listing is produced</li><li>■ *NO: Listing is not produced</li></ul>

## YDOCPNL (Document Panel Design)

This command prints panel designs. The panel designs are printed in sequence number order.

### Syntax Diagram



### Parameters

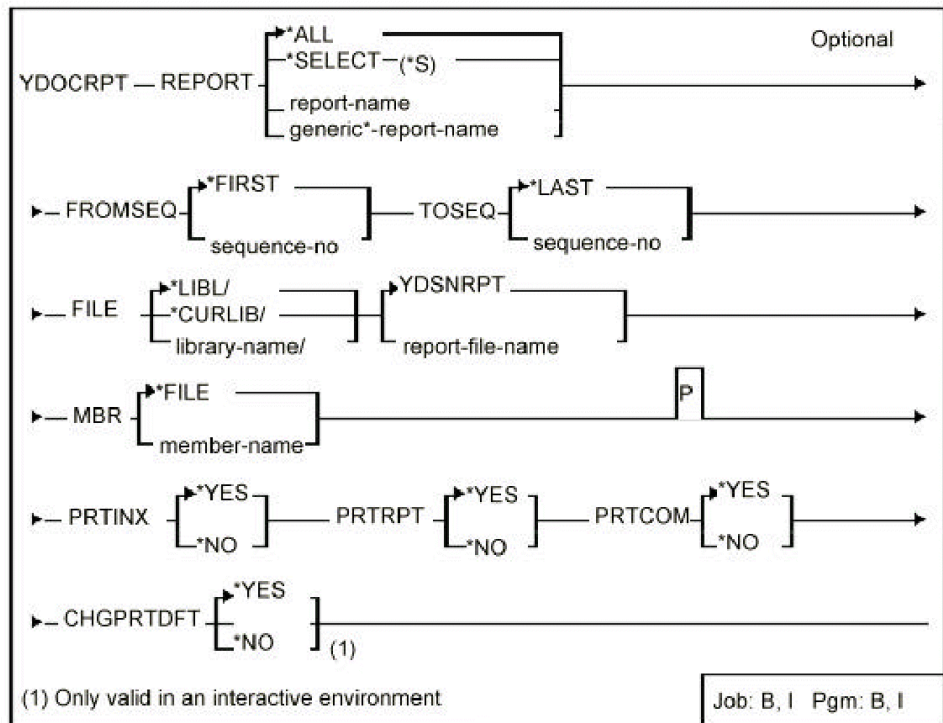
Parameter	Definition	Value and Description
PANEL	Generic name of panel designs which are documented	<ul style="list-style-type: none"> <li>*ALL: (default) All panel designs in the specified file and member are to be documented</li> <li>*SELECT: Provide a display of available panel designs in the specified file, one of which may be selected</li> </ul>
FROMSEQ	Print sequence number (999.99) of first panel design which is documented	<ul style="list-style-type: none"> <li>*FIRST: (default) Start listing from first panel</li> </ul>
TOSEQ	Print sequence (999.99) number of last panel design which is documented	<ul style="list-style-type: none"> <li>*LAST: (default) Finish listing at last panel design</li> </ul>

Parameter	Definition	Value and Description
FILE	Qualified name of file containing panel designs	<ul style="list-style-type: none"> <li>■ *LIBL/YDSNPNL: (default)</li> </ul>
MBR	Name of member in panel design file	<ul style="list-style-type: none"> <li>■ *FILE: (default) The member has the same name as the file</li> </ul>
PRTINX	Produce an index of panel designs	<ul style="list-style-type: none"> <li>■ *YES: (default) An index is printed</li> <li>■ *NO: No index is to be printed</li> </ul>
PRTPNL	Document the panel design's images	<ul style="list-style-type: none"> <li>■ *ATR: default) The panel images are to be documented with fields shown by the field representation characters.</li> <li>■ *DTA: The panel images are documented with user data - data may entered using the command Display Panel Design (YDSPPNL) with OPTION(*CHGDTA). Fields where no data has been keyed is printed as blank.</li> <li>■ *NO: No panel images are documented</li> </ul>
PRTCOM	Document the panel design's comments	<ul style="list-style-type: none"> <li>■ *YES: (default) The panel comments are documented</li> <li>■ *NO: No panel comments are documented</li> </ul>
PRTCMD	Document the panel design's command keys	<ul style="list-style-type: none"> <li>■ *YES: The command key specifications are documented</li> <li>■ *NO: No command key specifications are documented</li> </ul>
CHGPRTDFT	Change print defaults	<ul style="list-style-type: none"> <li>■ *SAME: (default) The print defaults are not changed</li> <li>■ *TEMP: The print defaults are changed for the current operation only</li> <li>■ *PERM: The print defaults are changed permanently</li> </ul> <p>N.B. Only *SAME may be used for batch jobs</p>

## YDOCRPT (Document Report Design)

This command prints report designs in sequence number order.

### Syntax Diagram



### Parameters

Parameter	Definition	Value and Description
REPORT	Generic name of report designs which are documented	<ul style="list-style-type: none"> <li>■ *ALL: (default) All report designs in the file are documented.</li> <li>■ *SELECT: Provide a display of report designs in the specified file, one of which may be selected</li> </ul>
FROMSEQ	Sequence number (999.99) of first report design which is documented	<ul style="list-style-type: none"> <li>■ *FIRST: (default) Start listing from first report</li> </ul>

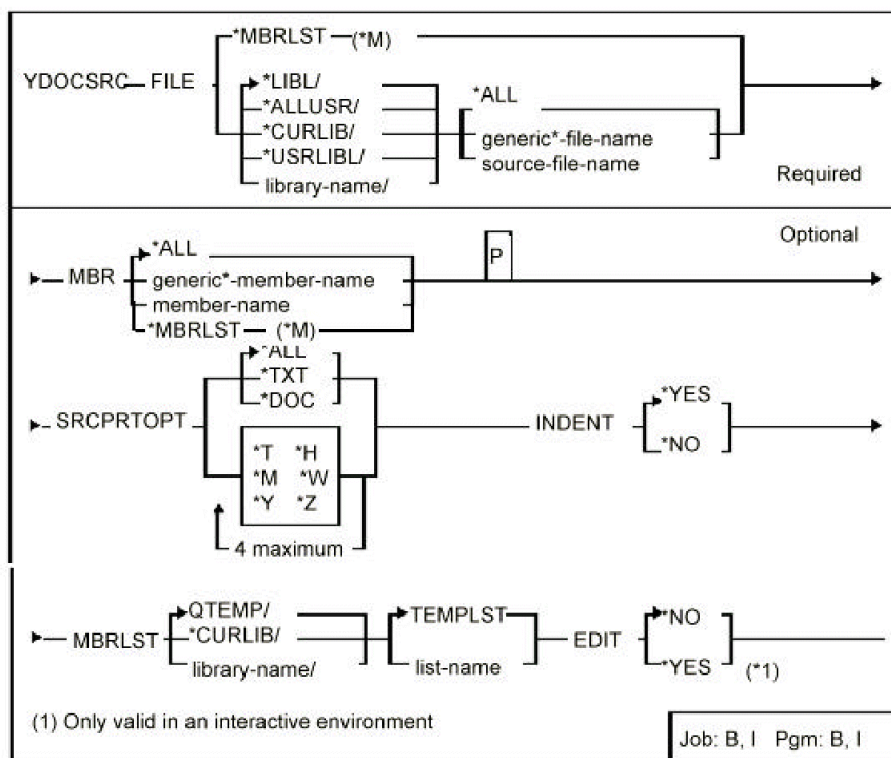
Parameter	Definition	Value and Description
TOSEQ	Sequence number (999.99) of last report design which is documented	<ul style="list-style-type: none"> <li>■ *LAST: (default) Finish listing at last report design</li> </ul>
FILE	Qualified name of file containing report designs	<ul style="list-style-type: none"> <li>■ YDSNRPT: (default) Report design file name</li> <li>■ The file must have been created using the command Create Design File YCRTDSNF) with parameter TYPE(*RPT)</li> </ul>
MBR	Name of member in report file	<ul style="list-style-type: none"> <li>■ *FILE: (default) The member has the same name as the file</li> </ul>
PRTINX	Produce an index of report designs	<ul style="list-style-type: none"> <li>■ *YES: (default) An index is to be printed</li> <li>■ *NO: An index is not to be printed</li> </ul>
PRTRPT	Document the report design's images	<ul style="list-style-type: none"> <li>■ *YES: (default) The report images are to be documented</li> <li>■ *NO: Do not print the report design images</li> </ul>
PRTCOM	Document the report design's comments	<ul style="list-style-type: none"> <li>■ *YES: The report comments are to be documented</li> <li>■ *NO: Do not print the comments</li> </ul>
CHGPRDFT	Change print defaults	<ul style="list-style-type: none"> <li>■ *SAME: (default) The print defaults are not to be changed</li> <li>■ *TEMP: The print defaults are to be changed for the current operation only</li> <li>■ *PERM: The print defaults are to be changed permanently</li> </ul>

N.B. only  
\*SAME  
may be  
used for  
batch jobs

## YDOCSRC (Document Source File Members)

This command documents specified source members and an index is included.

### Syntax Diagram



### Parameters

Parameter	Definition	Value and Description
FILE	Qualified generic name of source file containing the source members which are documented	<ul style="list-style-type: none"> <li>■ *MBRLST: The source members are located by an existing member list.</li> <li>■ *ALL: All source files</li> </ul>

Parameter	Definition	Value and Description
MBR	Generic name of members which are documented	<ul style="list-style-type: none"><li>■ Unless FILE(*MBRLST) is specified, the MBR parameter is used to filter the list of members given by the FILE parameter</li><li>■ *ALL: (default) Document all source members</li></ul>



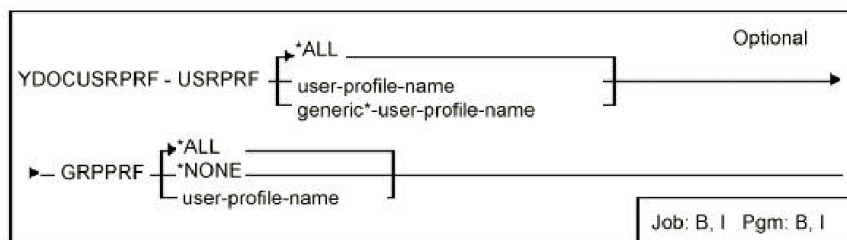
Parameter	Definition	Value and Description
SRCPRTOPT	Source print option. Single value	<ul style="list-style-type: none"> <li>■ *ALL: (default) Print all source lines in each member</li> <li>■ *TXT: Print as text document: omit source line number and change date</li> <li>■ *DOC: Print only source lines with a documentation comment type (*T, *H, *W, *M, *Y, *Z)</li> <li>■ Or a list of up to four of the following: <ul style="list-style-type: none"> <li>– *T: Print only source lines with a title line</li> <li>– *H: Print only source lines with a header comment line</li> <li>– *W: Print only source lines with a warning comment line</li> <li>– *M: Print only source lines with a maintenance</li> </ul> </li> </ul>

Parameter	Definition	Value and Description
INDENT	Indent RPG III source option	<ul style="list-style-type: none"> <li>■ *NO: (default) Do not indent RPG source listings</li> <li>■ *YES: Indent any listings of RPGIII source to indicate the structured programming constructs</li> </ul>
MBRLST	Qualified name of a member list specified that are documented. To use an existing list, specify FILE(*MBRLST)	<ul style="list-style-type: none"> <li>■ QTEMP/TEMPLST: (default) Member list name</li> </ul>
EDIT	Edit member list	<ul style="list-style-type: none"> <li>■ *NO: (default) Do not invoke the edit list function</li> <li>■ *YES: Invoke the edit member list function to review the member list before listing the members in it</li> </ul>

## YDOCUSRPRF (Document User Profile)

This command prints details of user profiles. i OS profiles for which no data is held are also listed.

### Syntax Diagram



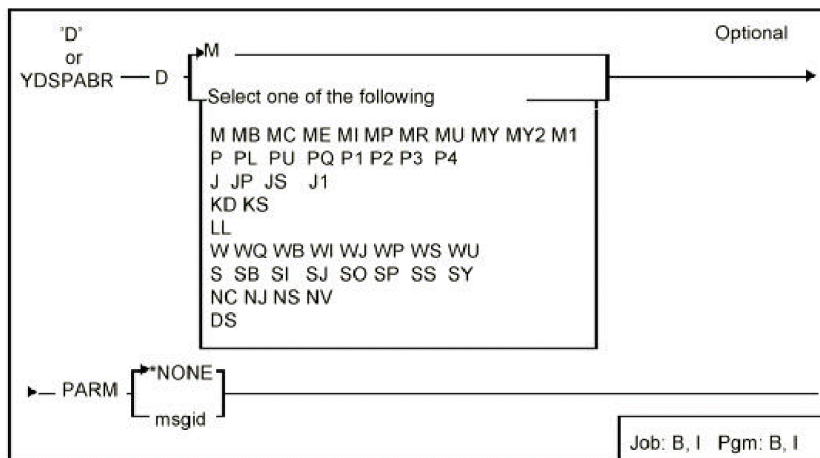
## Parameters

Parameter	Definition	Value and Description
USRPRF	Generic user profile name of profiles which are to be documented	<ul style="list-style-type: none"> <li>■ *ALL: (default) Print details of all user profiles</li> </ul>
GRPPRF	Name of group profile of user profiles which are documented	<ul style="list-style-type: none"> <li>■ *ALL: (default) Print details of all user profiles</li> <li>■ *NONE: Print details of all user profiles which do not belong to a group profile</li> </ul>

## YDSPABR (Display Abbreviated)

This command provides an abbreviated means of specifying most of the commonly required display functions.

## Syntax Diagram



## Parameters

Parameter	Definition	Value and Description
D	Type of display option	M - messages – M: DSPMSG – MB: WRKMSGD MSGID (parm value) QCBL/QCBLMSG – MC: WRKMSGD MSGID (parm value) *LIBL/QCPFMSG – ME: WRKMSGD MSGID (parm value) *LIBL/QRPGMSGE – MI: WRKMSGD MSGID (parm value) QIDU/QIDUMSG – MP: WRKMSGD MSGID (parm value) *LIBL/YCMDPMT – MR: WRKMSGD MSGID (parm value) QRPG/QRPGMSG – MU: WRKMSGD MSGID (parm value) *LIBL/Y1USRMSG – MY: WRKMSGD MSGID (parm value) *LIBL/YYYYMSG – MY2: WRKMSGD MSGID( parm value) *LIBL/Y2MSG

---

Parameter	Definition	Value and Description
-----------	------------	-----------------------

Parameter	Definition	Value and Description
-----------	------------	-----------------------

- P - print queues

- P :  
WRKOU  
TQ

- PL:  
WRKOU  
TQ  
(Output  
queue)

- PQ:  
WRKOU  
TQ  
QGPL/Q  
PRINT

- P1:  
WRKOU  
TQ  
\*LIBL/Q  
PRINT

- P2:  
WRKOU  
TQ  
\*LIBL/Q  
PRINT2

- P3:  
WRKOU  
TQ  
\*LIBL/Q  
PRINT3

- P4:  
WRKOU  
TQ  
\*LIBL/Q  
PRINT4

- J - job queues

- J :  
WRKJOB  
Q

- JP:  
WRKJOB  
Q  
\*LIBL/Q  
PGMR

- JS:  
WRKJOB  
Q  
QGPL/Q  
SPL

- J1:

Parameter	Definition	Value and Description
-----------	------------	-----------------------

Parameter	Definition	Value and Description
-----------	------------	-----------------------

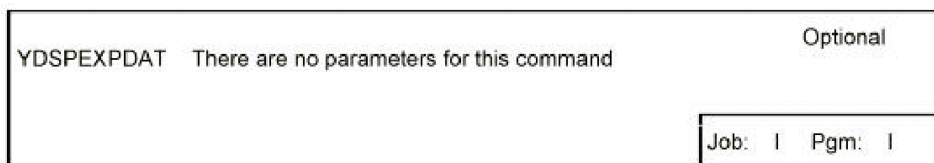
- L - library lists.
    - LL:  
WRKLIB
  - W - display job/submitted job.
    - W :  
WRKSB  
MJOB  
\*WRKST  
N
    - WA:  
WRKACT  
JOB
    - WB:  
WRKACT  
JOB  
SBS(QBA  
TCH)
    - WI:  
WRKACT  
JOB  
SBS(QIN  
TER)
    - WJ:  
WRKSB  
MJOB  
\*JOB
    - WP:  
WRKACT  
JOB  
SBS(QP  
GMR)
    - WS:  
WRKJOB
    - WU:  
WRKSB  
MJOB  
\*USER
  - S - subsystem & system status.
    - S :  
WRKSBS
    - SB:  
WRKSBS  
JOB  
QBATCH
    - SI:  
WRKSBS



## YDSPEXPDAT (Display Expiry Date)

This command displays authorization data for your version of the utilities, including the expiry date and the serial number of the authorized machine.

### Syntax Diagram



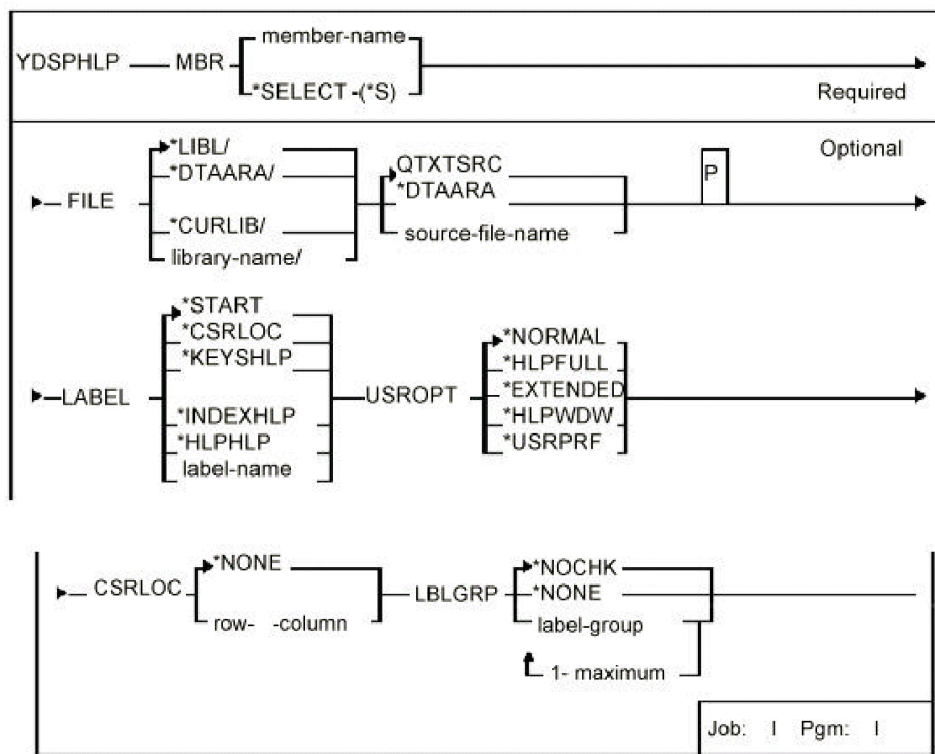
### Parameters

None.

## YDSPHLP (Display Help Text)

This command displays a source file member as help text. Additional pages of help text can be displayed using the ROLL keys. The control characters of the Text Management/38 utility can be used to format the text. A cursor location can be passed to the help display program, which uses a table of field locations (vector table) at the start of the text to determine at which point the help display is to commence. The vector table may be added manually, or by means of the YADDHLPTBL command.

## Syntax Diagram



## Parameters

Parameter	Definition	Value and Description
MBR	Name of source file member containing text which is to be displayed	<ul style="list-style-type: none"> <li>■ *SELECT: A list of available members will be displayed, one of which may be selected</li> </ul>
FILE	Qualified name of source file containing help text member.	<ul style="list-style-type: none"> <li>■ *LIBL/QTXTSRC: (default) Text file name</li> <li>■ *DTAARA: Text file name is retrieved from data areas YMHPFLA (file name), and/or YMHLPLBA (library name)</li> </ul>

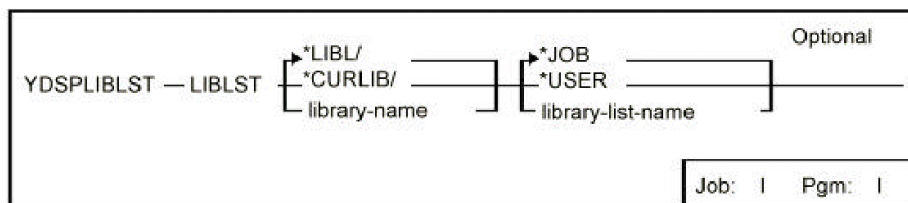
Parameter	Definition	Value and Description
LABEL	Help text label at which the help text display is to commence	<ul style="list-style-type: none"> <li>■ *START: (default) Display from the beginning of the Help text (extended help when USROPT is *HLPWDW)</li> <li>■ *CSRLOC: The CSRLOC parameter is to determine the label at which the help text display is to commence</li> <li>■ *KEYSHLP: If USROPT is *HLPWDW, display Keys help defined in the help document</li> <li>■ *INDEXHLP: If USROPT is *HLPWDW, display the help Index defined in the help document</li> <li>■ *HLPHLP: If USROPT is *HLPWDW, display help for help</li> </ul>
USROPT	Display option	<ul style="list-style-type: none"> <li>■ *NORMAL: (default) Display help with USROPT specified in data area YMHPOPA. If data area is not found, display with *HLPFULL</li> <li>■ *HLPFULL: Display all help in full panels</li> <li>■ *USRPRF: Retrieve USROPT from the i OS User Profile. If USROPT(*HLPFULL) is not specified on the i OS User Profile, the default is to display Help in a window</li> </ul>
CSRLOC	Cursor location, entered as two values, row and column coordinates, which is used in conjunction with the LBLGRP parameter to derive a start position for displaying the Help text	<ul style="list-style-type: none"> <li>■ *NONE: (default) No cursor location specified</li> </ul>

Parameter	Definition	Value and Description
LBLGRP	List of up to ten label group names. Label group names are single characters, either alphabetic or numeric. This parameter is used when more than one label is appropriate for a particular cursor location	<ul style="list-style-type: none"> <li>■ *NOCHK: (default) Any label group conditioning specified in the help text vector table is to be ignored.</li> <li>■ *NONE: Any entries specified in the vector table in the help text will be ignored unless either the entry has no label group specified for it or the entry only has label group names prefixed by N.</li> <li>■ Character values: Only those vector table entries with label groups matching the supplied values are used</li> </ul>

## YDSPLIBLST (Display Library List)

This command displays a stored library list.

### Syntax Diagram



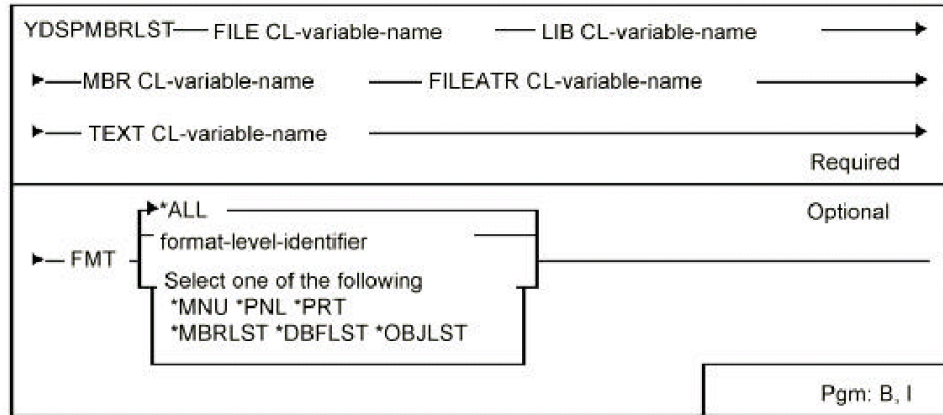
### Parameters

Parameter	Definition	Value and Description
LIBLST	Qualified name of library list which is displayed	<ul style="list-style-type: none"> <li>*JOB: (default) Display list with same name as current job</li> <li>*USER: Display list with same name as the current user profile</li> </ul>

## YDSPMBRLST (Display Member)

This command displays a list of members within one or more files, and allows one of the displayed member names to be selected and returned to the calling program.

### Syntax Diagram



### Parameters

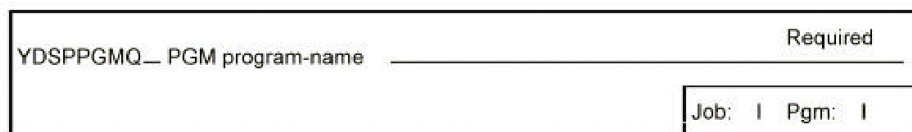
Parameter	Definition	Value and Description
FILE	CL variable that (1) contains the name of the file(s) whose members are displayed, and (2) returns the name of the file selected by the user	<ul style="list-style-type: none"> <li>■ Character variable, ten bytes long</li> <li>■ Generic names are allowed</li> <li>■ *ALL: (default) display all files in the specified library</li> </ul>

Parameter	Definition	Value and Description
LIB	<p>CL variable that (1) contains the name of the library containing the file(s) displayed - or a special value, and (2) returns the name of the library containing the file selected by the user</p> <p>Character variable, ten bytes long</p>	<ul style="list-style-type: none"> <li>■ *LIBL: (default) display the first files found with the specified name in the current job's library list</li> <li>■ *USRLIBL: display the first files found with the specified name in the user part of the current job's library list</li> <li>■ *ALLUSR: display all files found with the specified name in all user libraries</li> <li>■ *ALL: display all files found with the specified name in all libraries</li> </ul>
MBR	<p>CL variable that (1) contains the name of the member(s) to be displayed, and (2) returns the name of the member selected by the user. Generic names and name masks are allowed</p> <p>Character variable, ten bytes long</p>	<p>*ALL: (default) selects all files in the specified library</p>
FILEATR	<p>CL variable that (1) contains the attribute of the file to be displayed and (2) returns the attribute of the file selected by the user</p> <p>Character variable, four bytes long, restricted to the following two values</p>	<ul style="list-style-type: none"> <li>■ *PHY:(default) display physical files</li> <li>■ *LGL: display logical files</li> </ul>

## YDSPPGMQ (Display a Program's Message Queue)

This command displays an active program's message queue.

### Syntax Diagram



### Parameters

Parameter	Definition	Value and Description
PGM	Name of active program whose message queue is displayed	

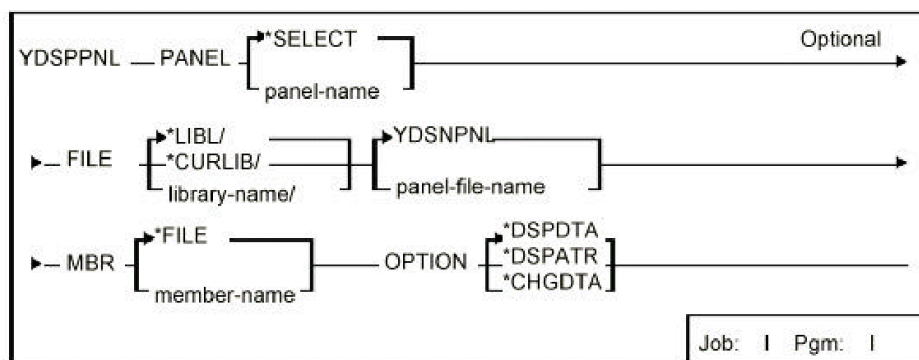
## YDSPPNL (Display Panel Design)

This command displays a panel design as a prototype simulation of an actual display file and program. The panel is displayed with full attributes; for example, highlight, underline, input capable etc. Sample data may be shown in fields. The YDSPPNL command may be run in either of two modes:

Update mode is used to set up realistic sample data. Data may be entered into screen fields (both input and output), for storage with the panel design.

Display mode is used to present designs to a client. The design plus data may be displayed.

## Syntax Diagram



## Parameters

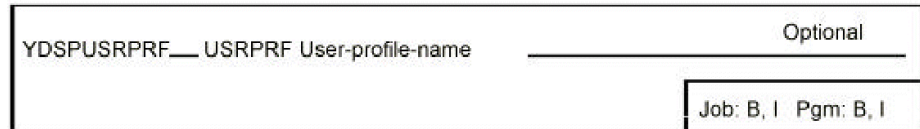
Parameter	Definition	Value and Description
PANEL	Name of the panel design which is displayed	<ul style="list-style-type: none"> <li>■ *SELECT: (default) The panel selection display is presented</li> </ul>
FILE	Qualified name of file containing panel design	<ul style="list-style-type: none"> <li>■ YDSNPNL: (default) Panel design file name</li> </ul>
MBR	Name of member in file containing panel design	<ul style="list-style-type: none"> <li>■ *FILE: (default) The member has the same name as the file</li> </ul>
OPTION	Display option	<ul style="list-style-type: none"> <li>■ *DSPDTA: (default) Display panel design along with any previously stored data.</li> <li>■ *DSPATR: Display panel with field type attributes. These can be modified using the command Edit Design Defaults (YEDTDSNDFT)</li> <li>■ *CHGDTA: Display screen with first 128 fields (both input and output) as input fields. Any data keyed is stored with the panel design for later re-display.</li> <li>■ N.B. If a field is moved then the stored data for that field will need to be re-keyed</li> </ul>



## YDSPUSRPRF (Display User Profile)

This command display user profiles. Both the i OS user profile details, and the extension attributes may be displayed.

### Syntax Diagram



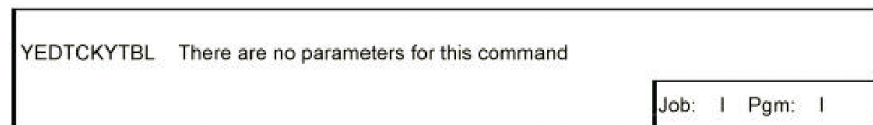
### Parameters

Parameter	Definition	Value and Description
USRPRF	Name of user profile which is to be displayed	

## YEDTCKYTBL (Edit Command Key Table)

This command calls an interactive program to edit the conversion table used by the command Convert DDS Command Key (YCVTDDSCKY) to re-map command key usage in DDS source.

### Syntax Diagram



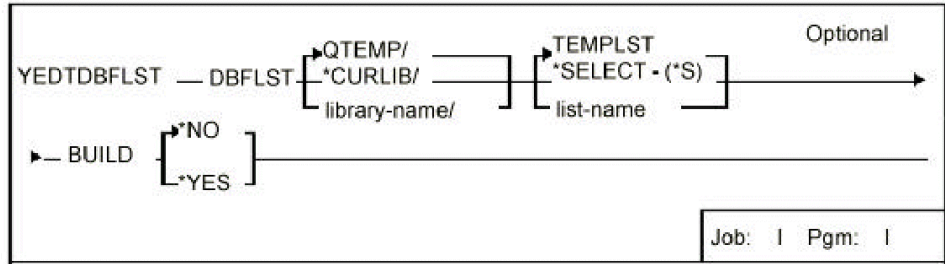
### Parameters

None

## YEDTDBFLST (Edit DBF List)

This command calls an interactive utility to edit a list of database files.

### Syntax Diagram



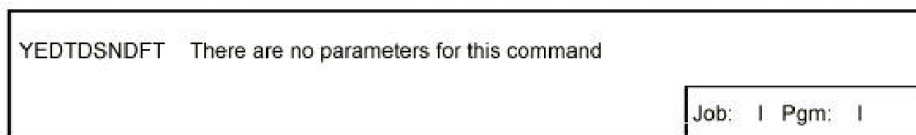
### Parameters

Parameter	Definition	Value and Description
DBFLST	Qualified name of database file list which is edited	<ul style="list-style-type: none"> <li>■ QTEMP/TEMPLST: (default) List name</li> <li>■ *SELECT: Display a list of existing database file lists, one of which is selected</li> </ul>
BUILD	Build list option	<ul style="list-style-type: none"> <li>■ *NO: (default) Edit an existing list</li> <li>■ *YES: Invoke the build list function to build a new list before editing</li> </ul>

## YEDTDSSNDFT (Design Default Data Areas)

This command calls an interactive program to edit the display, print, and DDS generation defaults for the screen and report design utilities, and also to edit the frame characters used in the command Convert Print (YCVTPRT). Enables design and presentation standards to be set centrally, and thereafter implemented automatically.

## Syntax Diagram



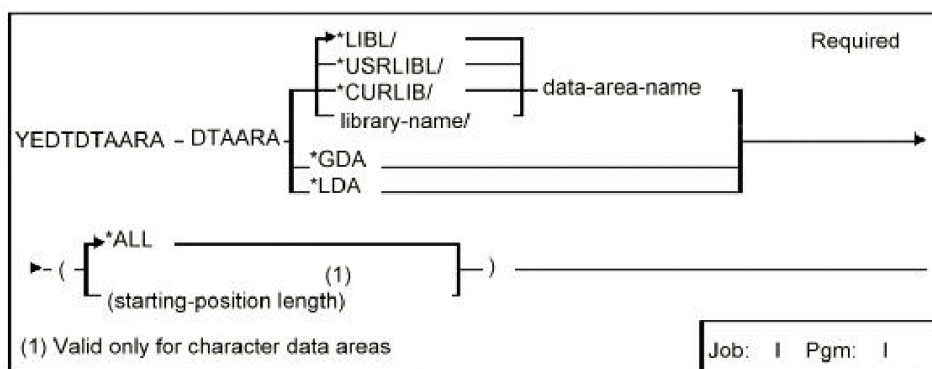
## Parameters

None

## YEDDTAARA (Edit Data Area Contents)

This command prompts the i OS command Change Data Area (CHGDTAARA) with the current contents of the data area already displayed.

## Syntax Diagram



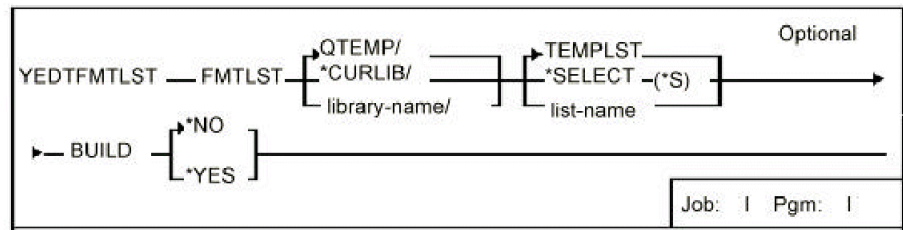
## Parameters

Parameter	Definition	Value and Description
DTAARA	Simple list made up of the following elements	<ul style="list-style-type: none"><li>■ * Qualified name of data area whose value is changed. Or a special value:</li><li>■ *LDA: Local data area for current job</li><li>■ *GDA: Group job data area for current job</li><li>■ Starting-position: Starting byte of data area character string that is changed</li><li>■ *ALL: (default) The entire data area is changed</li><li>■ * Length: Number of bytes of data area character string that are changed, beginning with the starting position</li></ul> <p>If used, both length and starting position must be specified, and must delimit a string within the bounds of the specified data area</p> <p>A maximum of 512 bytes may be changed during one execution of the command</p>

## YEDTFMTLST (Edit Format List)

This command calls an interactive program to edit a list of file formats.

## Syntax Diagram



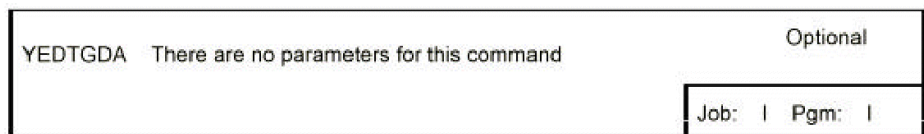
## Parameters

Definition	Parameter	Value and Description
FMTLST	Qualified name of format list which is to be edited	<ul style="list-style-type: none"> <li>■ QTEMP/TEMPLST: (default) List name</li> <li>■ *SELECT: Display a list of existing format lists, one of which may be selected</li> </ul>
BUILD	Build option	<ul style="list-style-type: none"> <li>■ *NO: (default) Edit an existing format list</li> <li>■ *YES: Invoke the build list function to create a new format list before editing</li> </ul>

## YEDTGDA (Edit Group Data Area)

This command allows the interactive editing of a job's group data area.

## Syntax Diagram



## Parameters

None

## YEDTLDA (Edit Local Data Area)

This command allows the interactive editing of a job's local data area.

### Syntax Diagram



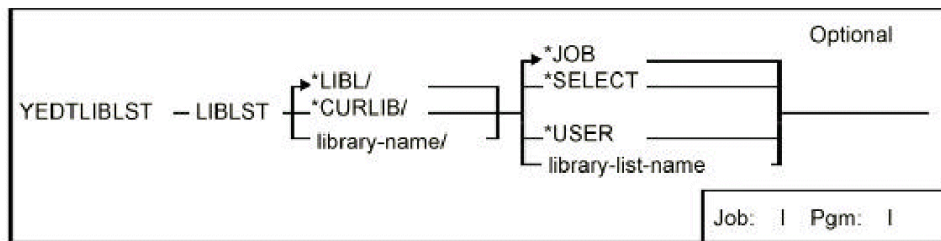
### Parameters

None

## YEDTLIBLST (Edit Library List)

This command calls an interactive program to edit or change a library list. Library lists can be re-ordered, added to, or erased. The edited list can be stored away permanently as a library list. Also the command can be used to change the current job's library list.

### Syntax Diagram



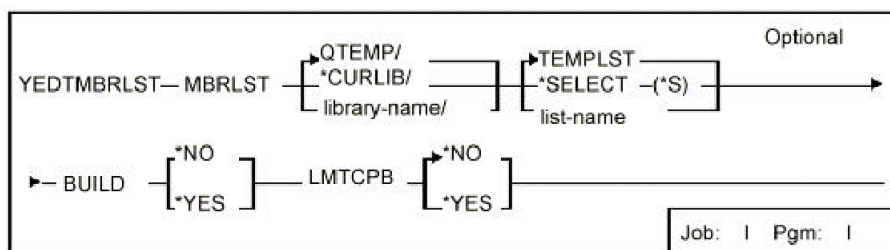
## Parameters

Parameter	Definition	Value and Description
LIBLST	Qualified name of the edited library list	<ul style="list-style-type: none"> <li>■ *JOB: (default) Current job's library list</li> <li>■ *SELECT: Display a list of existing lists, one of which may be selected</li> <li>■ *USER: A stored library list having same name as the current job's user profile</li> </ul>

## YEDTMBRLST (Edit Member List)

This command calls an interactive program to edit a file member.

### Syntax Diagram



## Parameters

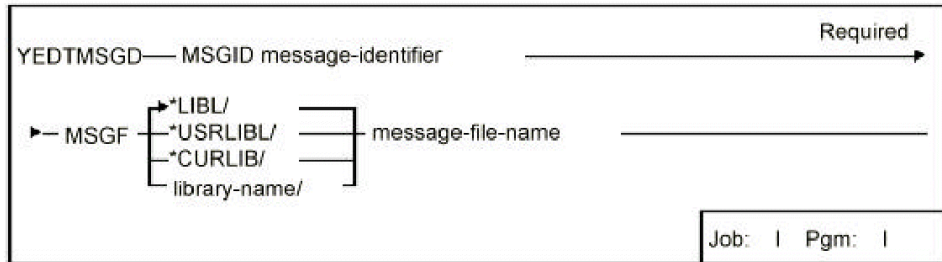
Parameter	Definition	Value and Description
MBRLST	Qualified name of edited member list	<ul style="list-style-type: none"> <li>■ QTEMP/TEMPLST: (default) List name.</li> <li>■ *SELECT: Display a list of existing member lists, one of which can be selected</li> </ul>
BUILD	Build option	<ul style="list-style-type: none"> <li>■ *NO: (default) Edit an existing member list</li> <li>■ *YES: Invoke the build list function to create a new member list before editing</li> </ul>

Parameter	Definition	Value and Description
LMTCPB	Limit capabilities controls whether you can work with members and enter commands	<ul style="list-style-type: none"> <li>■ *NO: (default) Allow use of a command line and working with members</li> <li>■ *YES: Do not supply a command line and disallow working with members</li> </ul>

## YEDTMSGD (Edit Message Description)

This command retrieves an existing message description and displays it with the i OS command Change Message Description (CHGMSGD) so it can be changed.

### Syntax Diagrams



### Parameters

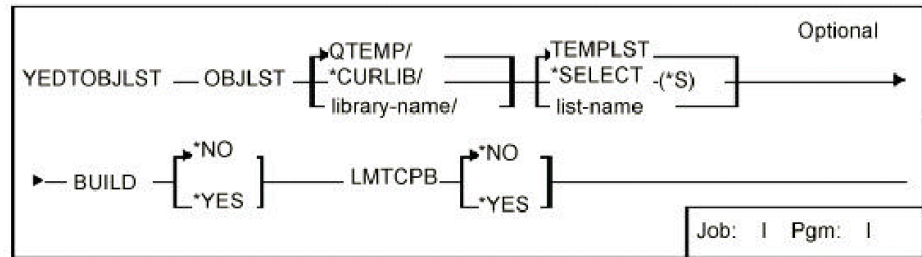
Parameter	Definition	Value and Description
MSGID	Message identifier of message description which is to be changed	Must be valid i OS message identifier
MSGF	Qualified name of message file containing changed message description	

## YEDTOBJLST (Edit Object List)

This command calls an interactive program to edit a list of objects.



## Syntax Diagram



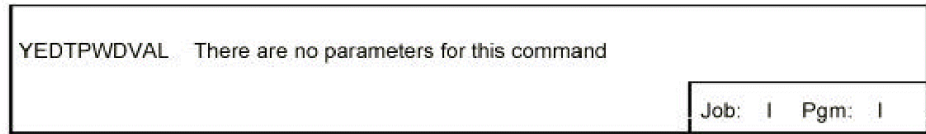
## Parameters

Parameter	Definition	Value and Description
OBJLST	Qualified name of edited object list	<ul style="list-style-type: none"> <li>QTEMP/TEMPLST: (default) Object list name</li> <li>*SELECT: Display a list of existing object lists, one of which may be selected</li> </ul>
BUILD	Build list option	<ul style="list-style-type: none"> <li>*NO: (default) Edit existing list</li> <li>*YES: Invoke the build list function to build a new list before editing it</li> </ul>
LMTCPB	Limit capabilities controls whether you can work with objects and enter commands	<ul style="list-style-type: none"> <li>*NO: (default) Allows use of a command line and working with objects</li> <li>*YES: Do not supply a command line and disallow working with objects</li> </ul>

## YEDTPWDVAL (Edit Password Values)

This command calls an interactive program to edit the password control values and validation criteria. Maintains a list of forbidden password values, if required.

## Syntax Diagram



## Parameters

None

## YENDSPLRTR (End Spooled File Router)

The End spooled file router (YENDSPLRTR) command is used to end a spooled file router job which is monitoring the specified data queue.

See the command help for the Start spooled file router (YSTRSPLRTR) command for more information about the spooled file router job.

## Parameters

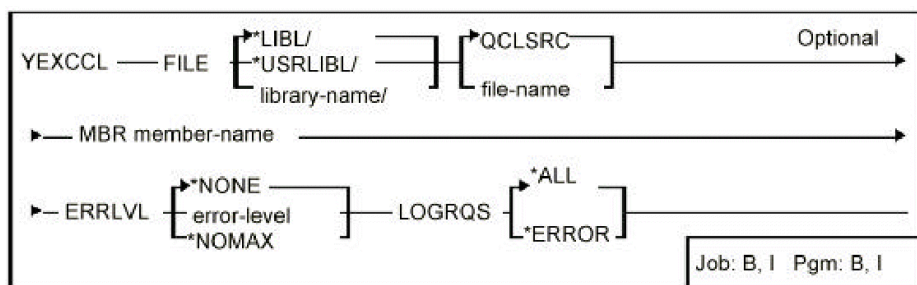
Parameter	Definition	Value and Description
DTAQ	<p>Specifies the data queue currently being monitored.</p> <p><b>Note:</b> You must specify a data queue that is currently being monitored by a spooled file router job. Specifying a data queue that is not being monitored by a spooled file router job can result in serious errors within any programs using that data queue.</p>	<ul style="list-style-type: none"> <li>■ YSPLRTRQ: Use the default spooled router data queue YSPLRTRQ.</li> <li>■ data-queue-name: Enter the name of an existing data queue which is being monitored by a spooled file router job.</li> <li>■ *LIBL: All libraries in the user and system portions of the job's library list are searched until the first match is found for the specified data queue.</li> <li>■ *CURLIB: The current library for the job is used to locate the specified data queue. If no library is specified as the current library for the job, the QGPL library is used.</li> <li>■ library-name: Specify the name of the library to be searched for the specified data queue.</li> </ul>

■

## YEXCCL (Execute CL Member)

This command executes the CL statements in a source member.

## Syntax Diagram



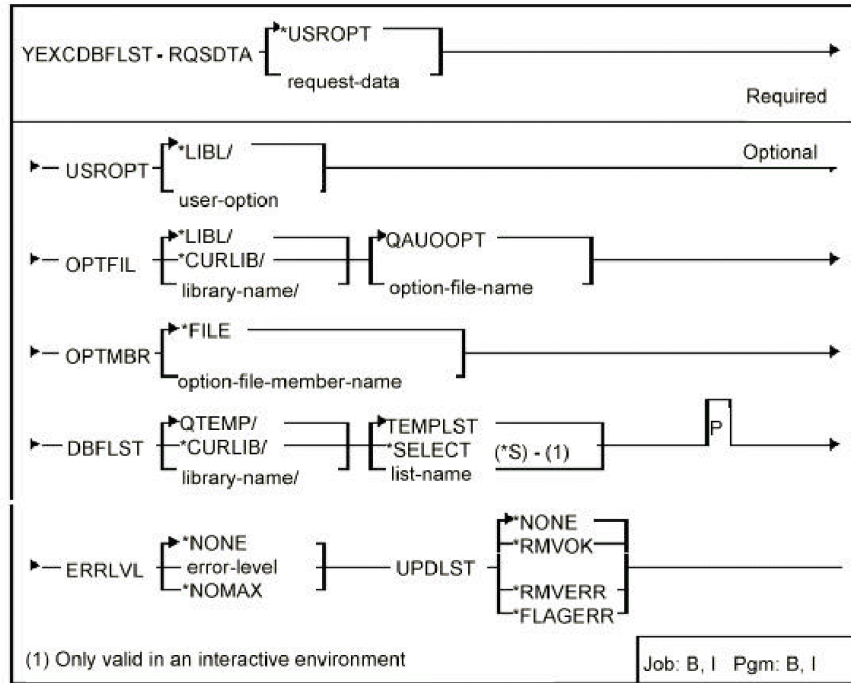
## Parameters

Parameter	Definition	Value and Description
FILE	Qualified file name of source file contains the CL source which is to be executed	QCLSRC: (default) Source file
MEMBER	Source member name of member contains CL source	
ERRVL	Number of execution errors allowed before the execution is abandoned	<ul style="list-style-type: none"> <li>■ *NONE: (default) No errors are allowed</li> <li>■ *NOMAX: There is no limit on the number of errors allowed</li> </ul>
LOGRQS	Log request messages in log	<ul style="list-style-type: none"> <li>■ *ALL: (default) Logs all requests as executed</li> <li>■ *ERROR: Only logs error messages</li> </ul>

## YEXCDBFLST (Execute Database File List)

This command executes a specified command for each file in a specified database file list. A set of special substitution symbols indicates where the file, library names and other attributes are inserted.

## Syntax Diagram



## Parameters

Parameter	Definition	Value and Description
RQSDTA	Request data to execute for each item in database file list. Request string can be up to 256 characters (see the following details). To invoke the command prompter on the request string, place a ? as the first character	<ul style="list-style-type: none"> <li>*USROPT: (default) Use the user option specified by the USROPT parameter</li> </ul>
USROPT	Two character key identifying a record in the specified user-defined option file, containing user-defined option text for substitution in the RQSDTA string	<ul style="list-style-type: none"> <li>*NONE: (default) No user option text is to be substituted</li> </ul>
OPTFIL	Qualified name of file containing the user-defined option text	<ul style="list-style-type: none"> <li>QAUOOPT: (default) File name</li> </ul>

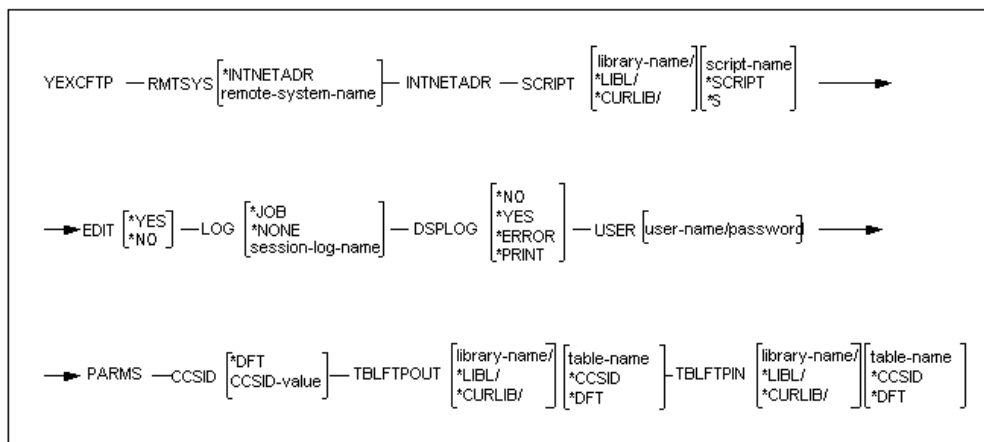
Parameter	Definition	Value and Description
OPTMBR	Name of member containing the user-defined option text	<ul style="list-style-type: none"> <li>■ *FILE: (default) The member has the same name as the file</li> </ul>
DBFLST	Qualified name of the executed database file list	<ul style="list-style-type: none"> <li>■ QTEMP/TEMPLST: (default) List name</li> <li>■ *SELECT: Display database file lists for selection</li> </ul>
ERRLVL	Number of execution errors allowed before the list execution is abandoned	<ul style="list-style-type: none"> <li>■ *NONE: (default) No errors are allowed</li> <li>■ *NOMAX: There is no limit on the number of errors allowed</li> <li>■ Note that execution does not take place if syntax errors are detected in the request string</li> </ul>
UPDLST	List update option	<ul style="list-style-type: none"> <li>■ *NONE: (default) The list is not to be updated</li> <li>■ *RMVOK: If the requested command completes without error for a list entry, then the list entry is removed from the list</li> <li>■ *RMVERR: If an error occurs when the requested command is executed for a list entry, then the list entry is removed from the list</li> <li>■ FLAGERR: If an error occurs when the requested command is executed for a list entry, then the list entry is to be flagged with an F</li> </ul>

## YEXCFTP (File Transfer Protocol)

Executes a pre-defined File Transfer Protocol (FTP) batch session.

- The FTP statements to be executed are stored as a 'script' member in a source file called YSCRIPT.
- The user can name an FTP script to use, or select one from a list of currently existing ones.
- The user can edit the FTP script before it is executed.
- The user can pass parameters to the script in the command, using substitution variables.

### Syntax Diagram



### Parameters

Parameter	Definition	Value and Description
RMTSYS	Remote system name to which or from which the files are transferred.	<ul style="list-style-type: none"> <li>■ *INTNETADR: The INTNETADR parameter is prompted.</li> <li>■ remote-system-name: Remote system name to which or from which the file transfer takes place.</li> </ul>
INTNETADR	Internet address of the remote system to which or from which the file transfer takes place.	

---

SCRIPT	The script containing the FTP statements to execute. Each script is defined as a member in the YSCRIPT file. This parameter is required.	<ul style="list-style-type: none"><li>■ *SELECT or *S: Script from the existing scripts in the selected YSCRIPT file.</li><li>■ script-name: Use an existing script in YSCRIPT. Possible library values are:<ul style="list-style-type: none"><li>■ *LIBL: All libraries in the user and system portions of the job's library list are searched until the first match is found.</li><li>■ *CURLIB: The current library for the job is used to locate the YSCRIPT file.</li><li>■ library-name: Name of the library to be searched for the YSCRIPT file.</li></ul></li></ul>
EDIT	Determines whether to edit the selected FTP session script prior to executing the batch FTP session. The FTP session script will be edited using Source Entry Utility (SEU).	<ul style="list-style-type: none"><li>■ *YES: Edit the FTP session script prior to executing the FTP session.</li><li>■ *NO: Execute the FTP session without editing the FTP session script.</li></ul>
LOG	Name of member in YSCRIPT where run-time messages from the executed FTP session are stored.	<ul style="list-style-type: none"><li>■ *JOB: A session log is created for this job in file YSCRIPT in the same library as the FTP session script.</li><li>■ *NONE: No permanent log file will be created.</li><li>■ session-log-name: Use the specified log.</li></ul>

---



---

DSPLOG	Determines whether to display the FTP session log after the FTP session has executed.	<ul style="list-style-type: none"><li>■ *NO: Do not display the FTP session log after the FTP session has ended</li><li>■ *YES: Display the FTP session log after the FTP session has ended.</li><li>■ *ERROR: Only display the FTP session log if it contains any FTP server replies that contain error reply codes.</li><li>■ *PRINT: Prints the FTP session log.</li></ul>
USER	Determines the user name and password to use when connecting to the remote system.	<ul style="list-style-type: none"><li>■ user-name/password: The user name and password are used to connect to the remote system.</li></ul>
PARMS	Specifies up to 9 substitution variables and related values that can be used in the specified script.	<ul style="list-style-type: none"><li>■ In addition to the &amp;1 - &amp;9 variables allowed, the special variables &amp;U, &amp;P, and &amp;M are also allowed.</li><li>■ @1 - @9: These substitution variables can be used only once within a given execution of the command.</li></ul>
CCSID	ASCII coded character set identifier (CCSID) that is used for single-byte character set (SBCS) ASCII file transfers when the FTP TYPE mode is set to ASCII.	<ul style="list-style-type: none"><li>■ *DFT: The CCSID value 00819 (ISO 8859-1 8-bit ASCII) is used.</li><li>■ CCSID-value: The requested CCSID value is used.</li></ul>

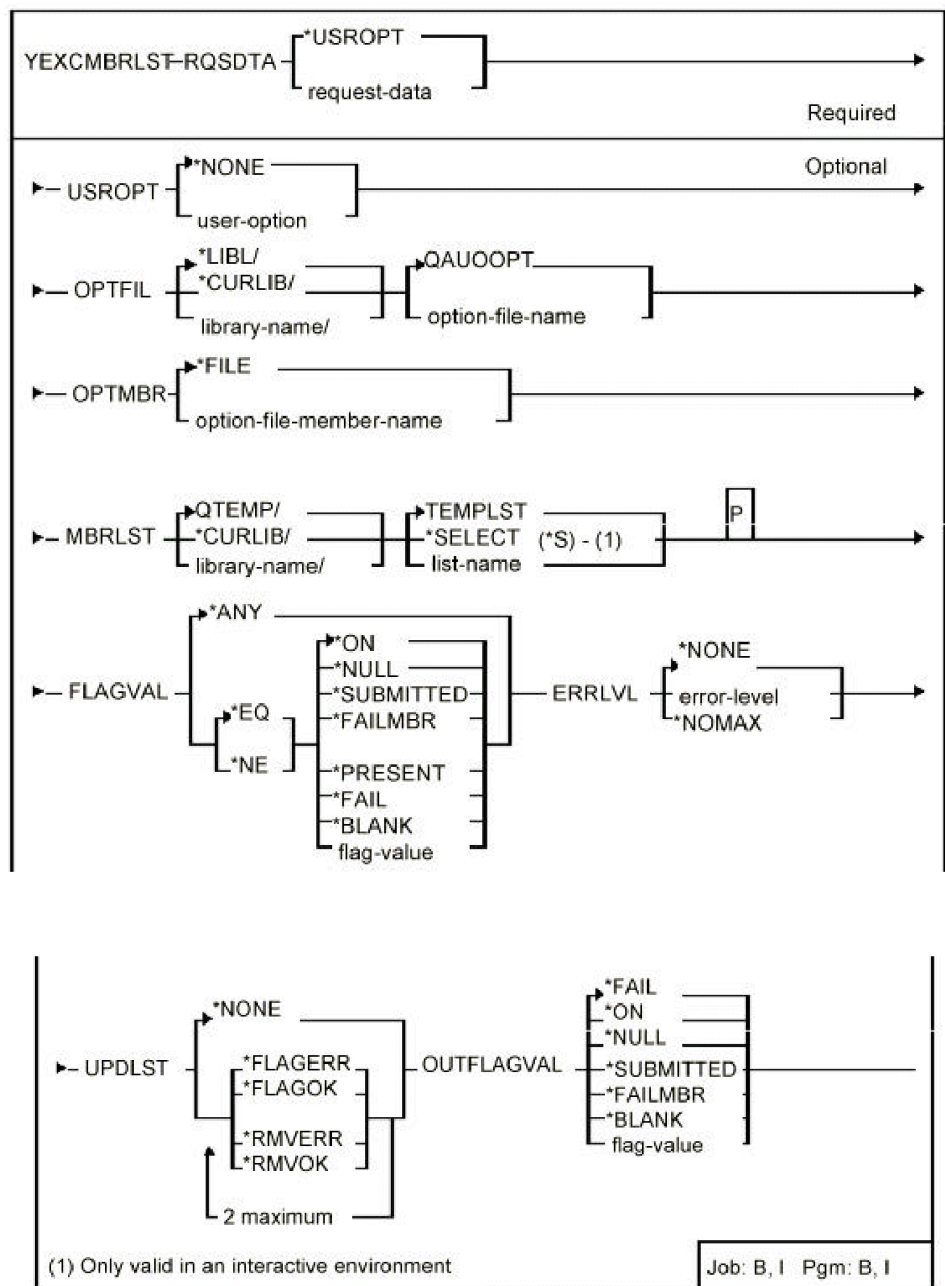
---

TBLFTPOUT	Table object that is to be used to map all outgoing data in the FTP client. Outgoing data is mapped from EBCDIC to ASCII.	<ul style="list-style-type: none"> <li>■ *CCSID: CCSID parameter used to determine outgoing mapping.</li> <li>■ *DFT: CCSID parameter used to determine outgoing mapping: *LIBL: All libraries in the user and system portions of the job's library list are searched until the first match is found. *CURLIB: The current library for the job is searched. library-name: Name of the library to be searched.</li> <li>■ outgoing-mapping-table: Table object to be used by the FTP client for mapping</li> </ul>
TBLFTPIN	Table object that is to be used to map all incoming data in the FTP client. Incoming data is mapped from ASCII to EBCDIC.	<ul style="list-style-type: none"> <li>■ *CCSID: CCSID parameter used to determine incoming mapping.</li> <li>■ *DFT: CCSID parameter used to determine incoming mapping. *LIBL: All libraries in the user and system portions of the job's library list are searched until the first match is found. *CURLIB: The current library for the job is searched. library-name: Name of the library to be searched.</li> <li>■ incoming-mapping-table: Table object to be used by the FTP client for mapping</li> </ul>

## YEXCMBRLST (Execute Member List)

This command executes a command or user-defined option for each member name in a specified member list. A set of special substitution symbols indicates where the member, file, library names and other attributes are to be inserted in the command request string. Entries may be removed or flagged following execution of the command.

## Syntax Diagram



## Parameters

Parameter	Definition	Value and Description
RQSDTA	Request data to execute upon the items in the specified member list. The request string can be up to 256 characters long (see below for further details). To invoke the command prompter on the request data, place a '?' as the first character	<ul style="list-style-type: none"> <li>■ *USROPT: Use the user-defined option specified by the USROPT parameter</li> </ul>
USROPT	Two character user-defined option identifying a record in the specified user-defined option file, containing user option text for substitution in the RQSDTA string	<ul style="list-style-type: none"> <li>■ *NONE: (default) No user option text is to be substituted</li> </ul>
OPTFIL	Qualified name of file containing the user-defined option text	<ul style="list-style-type: none"> <li>■ QAUOOPT: (default) File name</li> </ul>
OPTMBR	Name of member containing the user option text	<ul style="list-style-type: none"> <li>■ *FILE: (default) The member has the same name as the file</li> </ul>
MBRLST	Qualified name of executed member list	<ul style="list-style-type: none"> <li>■ QTEMP/TEMPLST: (default) List name</li> <li>■ *SELECT: Display member lists for selection</li> </ul>

---

Parameter	Definition	Value and Description
FLAGVAL	Flag value of list entries to select for execution	<ul style="list-style-type: none"><li>■ *ANY: (default) Execute all list entries</li><li>■ Otherwise, FLAGVAL is a list parameter made up of the following two elements:<ul style="list-style-type: none"><li>■ Relational operator for selection of flags</li><li>■ *EQ: (default) Equal to</li><li>■ *NE: Not equal to</li></ul></li><li>■ Flag value</li><li>■ Single character flag value or one of the special flag values. See Appendix A for further details on flag values</li></ul>
ERRLVL	Number of execution errors allowed before the list execution is abandoned	<ul style="list-style-type: none"><li>■ *NONE: (default) No errors are allowed</li><li>■ *NOMAX: There is no limit on the number of errors allowed</li><li>■ Note that execution does not take place if syntax errors are detected in the request data</li></ul>

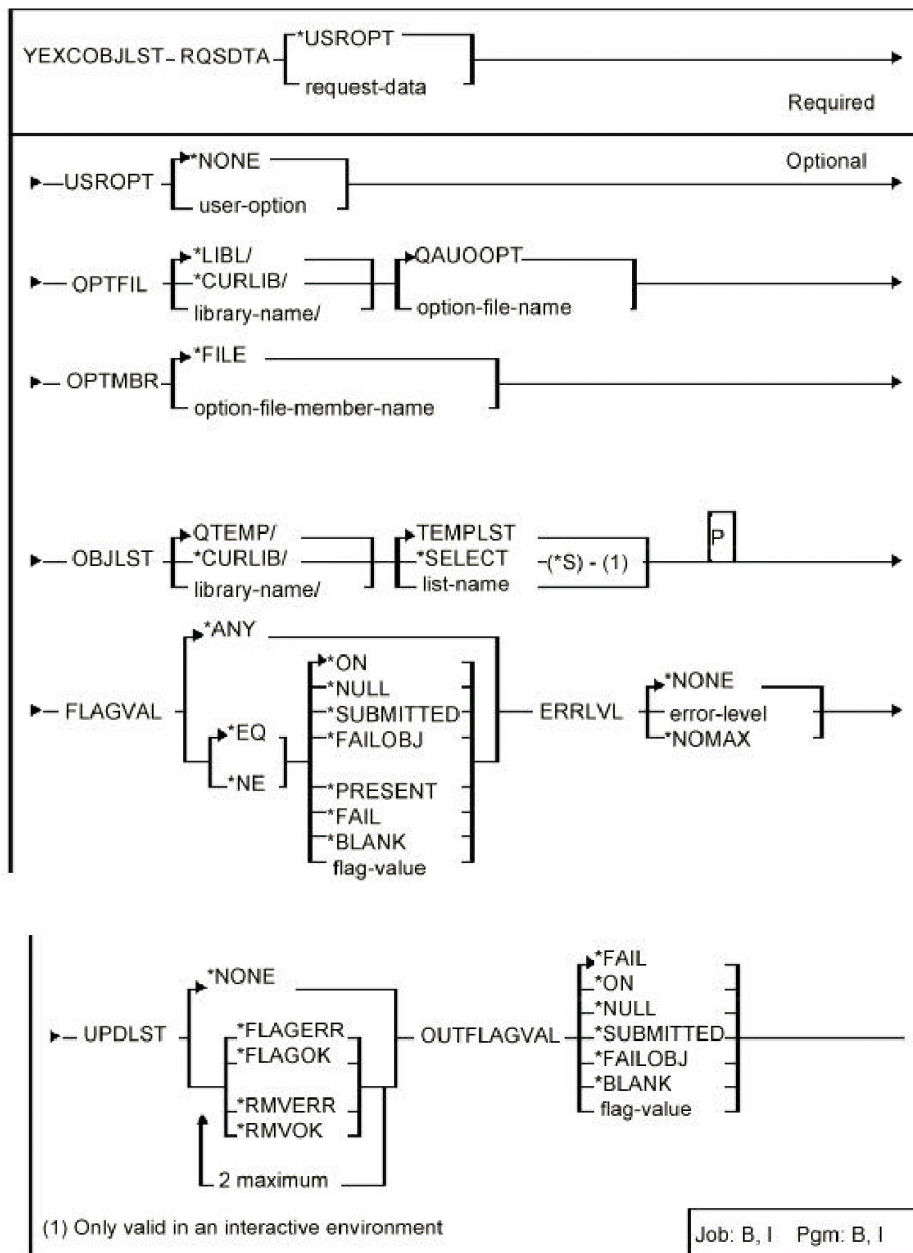
---

Parameter	Definition	Value and Description
UPDLST	List update option	<ul style="list-style-type: none"> <li>■ *NONE: (default) The list is not to be updated</li> <li>■ Otherwise, UPDLST can be up to two of the following:</li> <li>■ *RMVOK: If the requested command completes without error for a list entry, then the list entry is removed from the list</li> <li>■ *RMVERR: If an error occurs when the requested command is executed upon a list entry, then the list entry is removed from the list</li> <li>■ *FLAGERR: If an error occurs when the requested command is executed upon a list entry, then the list entry is to be flagged with the flag specified by the OUTFLAGVAL parameter</li> <li>■ *FLAGOK: If the requested command completes without error for a list entry, then the list entry is flagged with the flag specified by the OUTFLAGVAL parameter</li> <li>■ If more than one value is specified, *RMVERR + *FLAGOK and *RMVOK + *FLAGERR are the only valid combinations</li> </ul>
OUTFLAGVAL	Flag value given to flagged entries when the UPDLST parameter is *FLAGERR or *FLAGOK	<ul style="list-style-type: none"> <li>■ Single character flag value or one of the special flag values</li> </ul>

## YEXCOBJLST (Execute Object List)

This command executes a command or user-defined option for each object name in a specified object list. A set of special substitution symbols indicates where the object name, library name, object type and other attributes are to be inserted. Specific list entries may be executed by selecting on a given flag. Entries may be removed or flagged following execution of the command.

## Syntax Diagram





## Parameters

Parameter	Definition	Value and Description
RQSDTA	Request data to execute upon each item in the specified object list. The request string can be up to 256 characters long (see below for further details). To invoke the command prompter on the request string, place a ? as the first character in the request data.	<ul style="list-style-type: none"> <li>■ *USROPT: (default) Use the user option specified by the USROPT parameter</li> </ul>
USROPT	Two character user-defined option identifying a record in the specified user-defined option file, containing user option text for substitution in the RQSDTA string	<ul style="list-style-type: none"> <li>■ *NONE: (default) No user-defined option text is to be substituted</li> </ul>
OPTFIL	Qualified name of file containing the user-defined option text	<ul style="list-style-type: none"> <li>■ QAUOOPT: (default) File name</li> </ul>
OPTMBR	Name of member containing the user option text	<ul style="list-style-type: none"> <li>■ *FILE:(default) The member has the same name as the file</li> </ul>
OBJLST	Qualified name of Synon/1E object list which is to be executed	<ul style="list-style-type: none"> <li>■ QTEMP/TEMPLST: (default) Object list name</li> <li>■ *SELECT: Display object lists for selection</li> </ul>

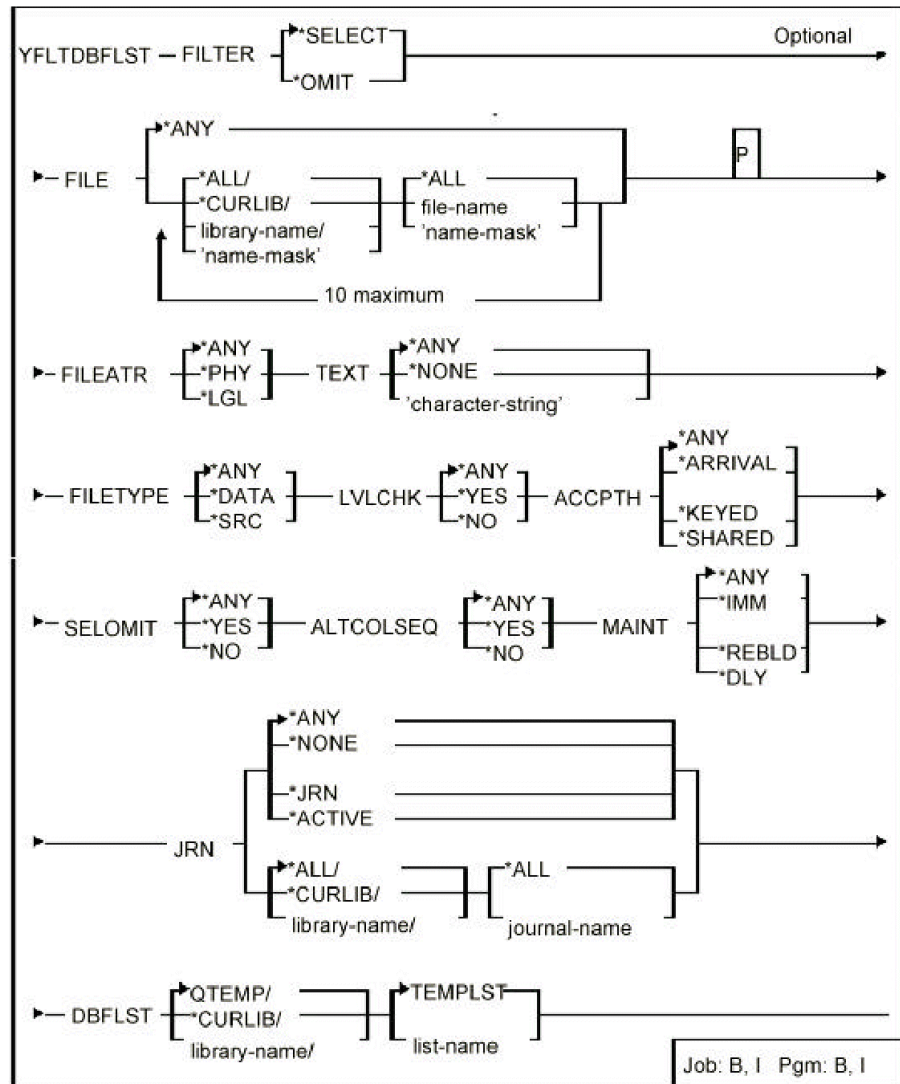
Parameter	Definition	Value and Description
FLAGVAL	Flag value of list entries to select for execution	<ul style="list-style-type: none"> <li>■ *ANY: (default) Execute all list entries</li> <li>■ Otherwise, FLAGVAL is a list parameter made up of the following two elements: <ul style="list-style-type: none"> <li>■ Relational operator for selection of flags</li> <li>■ *EQ: (default) Equal to</li> <li>■ *NE: Not equal to</li> <li>■ Flag value</li> <li>■ Single character flag value or one of the special flag values</li> </ul> </li> </ul>
ERRLVL	Number of execution errors allowed before the list execution is abandoned	<ul style="list-style-type: none"> <li>■ *NONE:(default) No errors are allowed</li> <li>■ *NOMAX: There is no limit on the number of errors allowed</li> <li>■ Note that execution does not take place if syntax errors are detected in the request string</li> </ul>

Parameter	Definition	Value and Description
UPDLST	List update option	<ul style="list-style-type: none"> <li>■ *NONE: (default) The list is not to be updated.</li> <li>■ Otherwise, UPDLST can be up to two of the following:</li> <li>■ *RMVOK: If the requested command completes without error for a list entry, then the list entry is removed from the list.</li> <li>■ *RMVERR: If an error occurs when the requested command is executed upon a list entry, then the list entry is removed from the list.</li> <li>■ *FLAGERR: If an error occurs when the requested command is executed upon a list entry, then the list entry is to be flagged with the flag specified by the OUTFLAGVAL parameter.</li> <li>■ *FLAGOK: If the requested command completes without error for a list entry, then the list entry is flagged with the flag specified by the OUTFLAGVAL parameter.</li> <li>■ If more than one value is specified, *RMVERR + *FLAGOK and *RMVOK + *FLAGERR are the only valid combinations</li> </ul>
OUTFLAGVAL	Flag value to be given to flagged entries when the UPDLST parameter is *FLAGERR or *FLAGOK	<ul style="list-style-type: none"> <li>■ Single character flag value or one of the special flag values</li> </ul>

## YFLTDBFLST (Filter Database List)

This command removes unwanted items from an existing database file list.

## Syntax Diagram



## Parameters

Parameter	Definition	Value and Description
FILTER	Type of filtering required	<ul style="list-style-type: none"> <li>*SELECT: (default) Keep items that satisfy the filtering conditions</li> <li>*OMIT: Reject items which satisfy the filtering conditions</li> </ul>

Parameter	Definition	Value and Description
FILE	List of up to ten qualified names or name masks of files on which to filter. Name masks may contain ? or *	<ul style="list-style-type: none"> <li>■ *ANY: (default) No filtering on file name or file library name</li> <li>■ '*ALL/name mask': Filter on file name but not on library name</li> <li>■ 'name mask/*ALL': Filter on library name but not on file name</li> </ul>
FILEATR	File type on which to filter	<ul style="list-style-type: none"> <li>■ *ANY: (default) No filtering on file type</li> <li>■ *PHY: Select physical files only</li> <li>■ *LGL: Select logical files only</li> </ul>
TEXT	File text on which to filter	<ul style="list-style-type: none"> <li>■ *ANY: (default) No filtering is done on file text</li> <li>■ *NONE: Only those files with no text are included</li> <li>■ Character string: Only those files whose text contains the specified string, starting at any position, are included in the list. Up to fifty characters of search string may be specified. Upper and lower case differences are ignored. The character ? may be used as a wild character in the search string</li> </ul>
FILETYPE	File data type on which to filter	<ul style="list-style-type: none"> <li>■ *ANY: (default) No filtering on file data type</li> <li>■ *DATA: Select data files only</li> <li>■ *SRC: Select source files only</li> </ul>
LVLCHK	File level checking attribute on which to filter	<ul style="list-style-type: none"> <li>■ *ANY: (default) No filtering on file level checking</li> <li>■ *YES: Select files for which LVLCHK(*YES) applies</li> <li>■ *NO: Select files for which LVLCHK(*NO) applies</li> </ul>

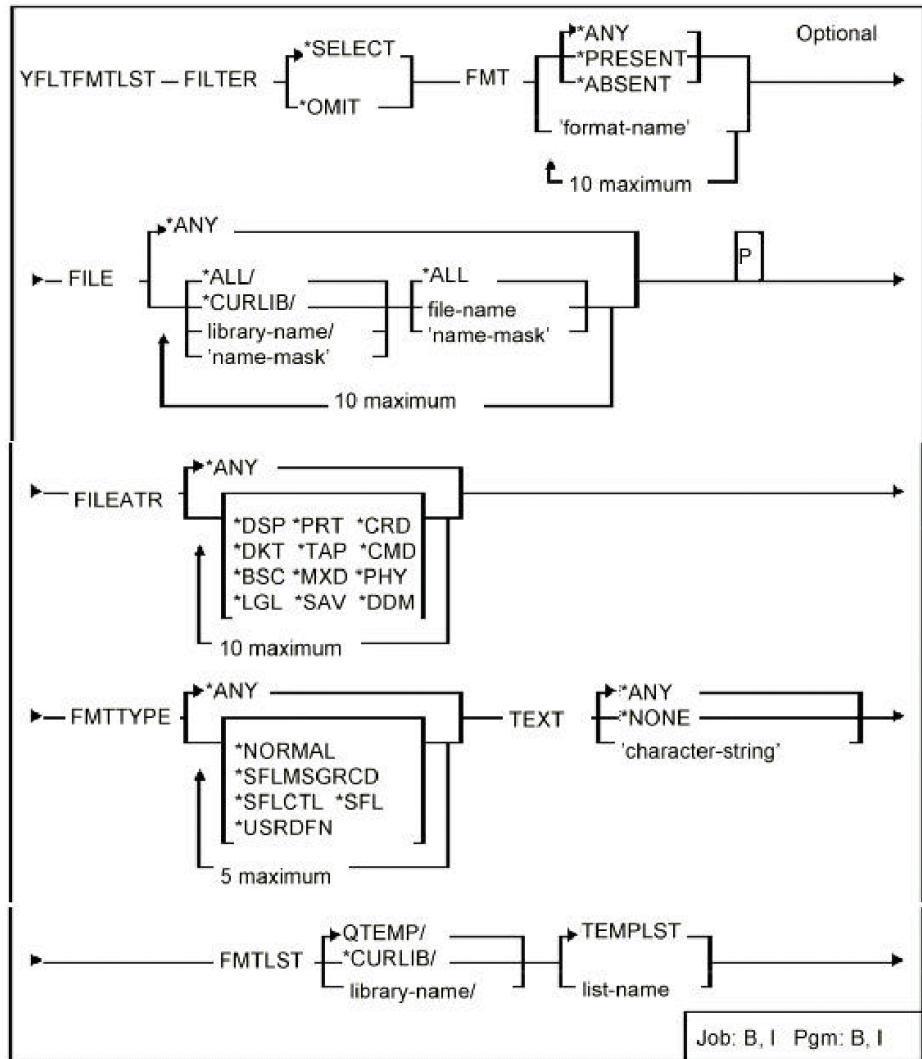
Parameter	Definition	Value and Description
ACCPH	File access path type on which to filter	<ul style="list-style-type: none"><li>■ *ANY: (default) No filtering on file access path type</li><li>■ *ARRIVAL: Select arrival sequence files</li><li>■ *KEYED: Select keyed sequence files</li><li>■ *SHARED: Select files sharing access paths</li></ul>
SELOMIT	File access path select/omit logic attribute on which to filter	<ul style="list-style-type: none"><li>■ *ANY: (default) no filtering on select/omit logic</li><li>■ *YES: Select files for which select or omit logic has been specified</li><li>■ *NO: Select files for which no select or omit logic has been specified</li></ul>
ALTCOLSEQ	Alternate collating sequence attribute on which to filter	<ul style="list-style-type: none"><li>■ *ANY: (default) No filtering on alternate collating sequence</li><li>■ *YES: Select files for which an alternate collating sequence has been specified</li><li>■ *NO: Select files for which no alternate collating sequence has been specified</li><li>■ N.B. This keyword is not available from the Edit Database File List command display (YEDTDBFLST) due to programming limitations</li></ul>
MAINT	File access path maintenance type on which to filter	<ul style="list-style-type: none"><li>■ *ANY: (default) No filtering on file maintenance type</li><li>■ *IMM: Select immediate maintenance files</li><li>■ *REBLD: Select rebuild maintenance files</li><li>■ *DLY: Select delayed maintenance files</li></ul>

Parameter	Definition	Value and Description
JRN	Qualified journal name on which to filter	<ul style="list-style-type: none"> <li>■ *ANY: (default) No filtering on journal data</li> <li>■ *NONE: Select unjournalled files</li> <li>■ *JRN: Select all files that are being or have been journalled</li> <li>■ *ACTIVE: select files for which journaling is currently active</li> </ul> <p>If a journal name or library is specified the special value *ALL may be used to match all values</p>
DBFLST	Qualified name of dbf list which is to be filtered	QTEMP/TEMPLST: (default) list name

## YFLTFMTLST (Filter Format List)

This command removes unwanted items from existing format list.

### Syntax Diagram





## Parameters

Parameter	Definition	Value and Description
FILTER	Type of filtering required	<ul style="list-style-type: none"> <li>■ *SELECT: (default) Keep items which satisfy the filtering conditions.</li> <li>■ *OMIT: Reject items which satisfy the filtering conditions</li> </ul>
FMT	List of format names on which to filter. Either one of the following single values	<ul style="list-style-type: none"> <li>■ *ANY: (default) No filtering on format name</li> <li>■ *PRESENT: A non-blank format name must be present</li> <li>■ *ABSENT: Format name must be blank</li> </ul> <p style="text-align: right;">Or a list of up to ten generic format names</p>
FILE	List of up to ten qualified names or name masks of files on which to filter. Name masks may contain ? or *	<ul style="list-style-type: none"> <li>■ *ANY: (default) No filtering on file name or file library name</li> <li>■ *ALL/name mask': Filter on file name but not on library name</li> <li>■ 'name mask/*ALL': Filter on library name but not on file name</li> </ul>

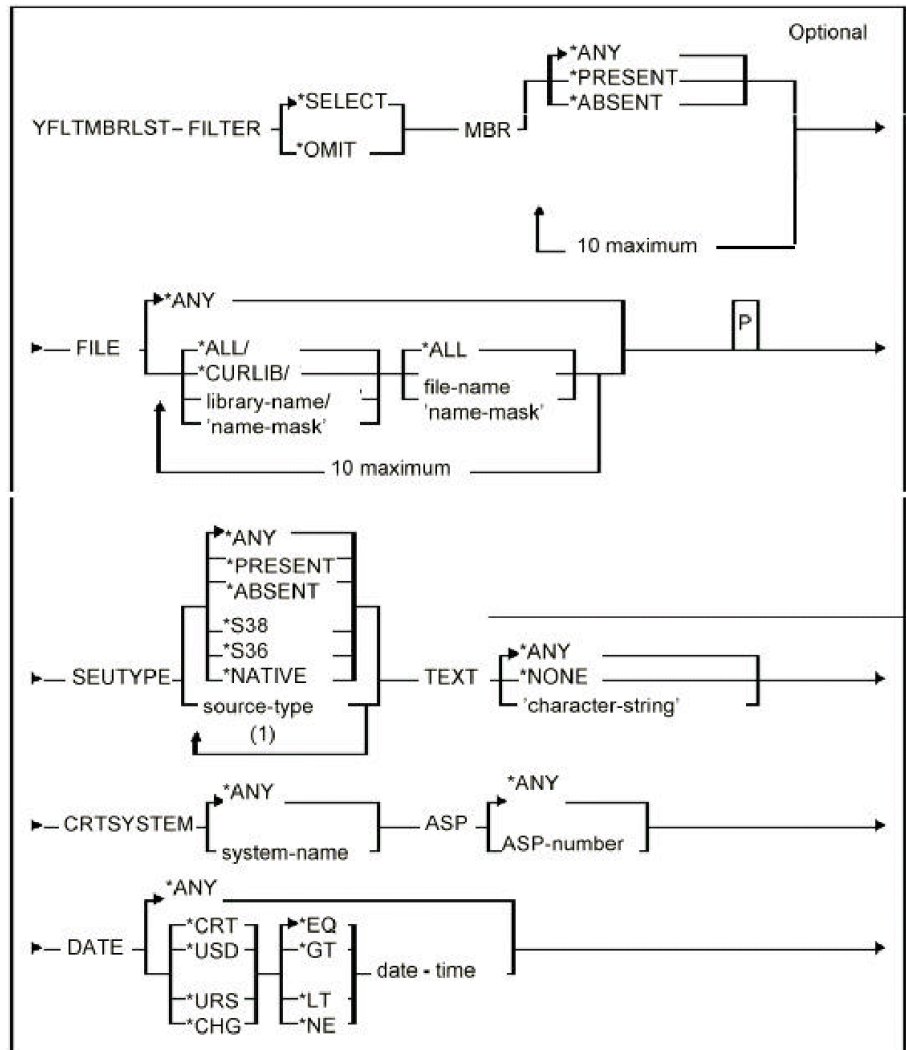
Parameter	Definition	Value and Description
FILEATR	File attribute on which to filter	<ul style="list-style-type: none"> <li>■ *ANY: (default) No filtering on file attribute</li> </ul> <p style="text-align: right;">Valid i OS or S3 8 fil e att rib ut e</p>
FMTTYPE	Format type on which to filter	<ul style="list-style-type: none"> <li>■ *ANY: (default) No filtering on format type</li> </ul> <p style="text-align: right;">Or a list of up to five format types:</p> <ul style="list-style-type: none"> <li>■ *NORMAL: Any format type except for subfile control, subfile record, subfile message record or user-defined types.</li> <li>■ *SFLMSGRCD: Subfile message record format types</li> <li>■ *SFLCTL: Subfile control record format type</li> <li>■ *SFL: Subfile record format type</li> <li>■ *USRDFN: User-defined format types</li> </ul>

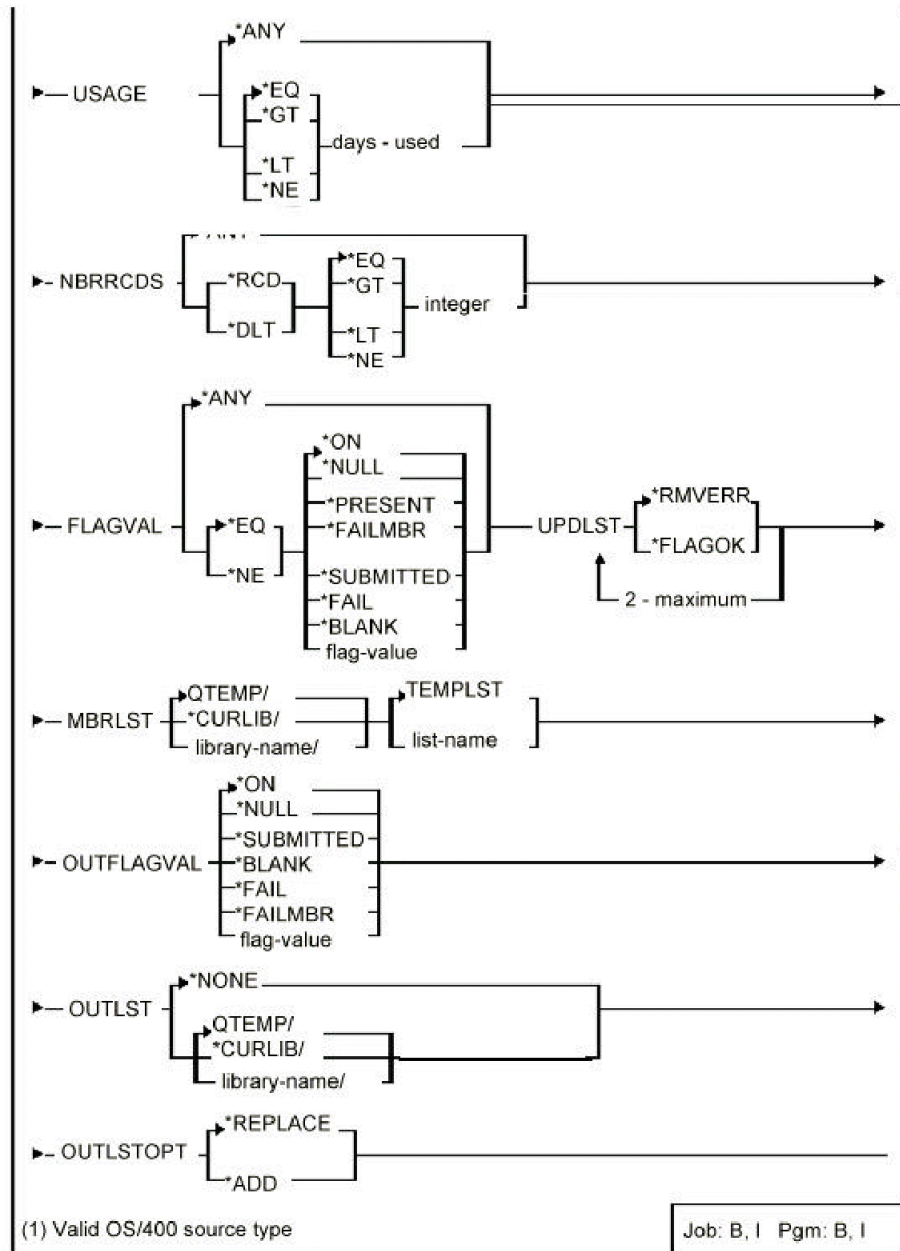
Parameter	Definition	Value and Description
TEXT	Format text on which to filter	<ul style="list-style-type: none"> <li>■ *ANY: (default) No filtering is done on format text</li> <li>■ *NONE: (default) Only those formats with no text included</li> <li>■ Character string: Only formats whose text contains the specified string, starting at any position, are included in the list. Up to fifty characters of search string may be specified. Upper and lower case differences are ignored. The character ? may be used as a wild character in the search string</li> </ul>
FMTLST	Qualified name of format list that is to be filtered	<ul style="list-style-type: none"> <li>■ QTEMP/TEMPLST: (default) list name</li> </ul>

## YFLTMBRLST (Filter Member List)

This command removes unwanted items from an existing member list. Wanted items can be placed in a designated output member list.

## Syntax Diagram





## Parameters

Parameter	Definition	Value and Description
FILTER	Type of filtering required	<ul style="list-style-type: none"> <li>■ *SELECT: (default) Keep items that satisfy filtering conditions</li> <li>■ *OMIT: Reject items that satisfy the filtering conditions</li> </ul>
MBR	List of up to ten names or name masks of members on which to filter. Name masks may contain ? or *	<ul style="list-style-type: none"> <li>■ *ANY: (default) No filtering on member name</li> <li>■ *PRESENT: Match any item having a member name</li> <li>■ *ABSENT: Match any item not having a member name</li> </ul>
FILE	List of up to ten names or name masks of the member's file and library on which to filter. Name masks may contain ? or *	<ul style="list-style-type: none"> <li>■ *ANY: (default) No filtering on file name</li> <li>■ '*ALL/name mask': Filter on file name but not on library name</li> <li>■ 'name mask/*ALL': Filter on library name but not on file name</li> </ul>
SEUTYPE	List of attribute of member's SEU source types on which to filter	<ul style="list-style-type: none"> <li>■ *ANY: (default) No filtering on source type</li> <li>■ *PRESENT: Match any item which has a source type other than blank</li> <li>■ *ABSENT: Match any item which has no source type</li> <li>■ *S38: Match any item which has an SEUTYPE containing the characters 38</li> <li>■ *S36: Match any item which has an SEUTYPE containing the characters 36</li> <li>■ *NATIVE: Match any item which does not have characters 38 or 36 in source type</li> <li>■ Otherwise must be a valid i OS source type</li> </ul>

Parameter	Definition	Value and Description
TEXT	Member text on which to filter	<ul style="list-style-type: none"> <li>■ *ANY: (default) No filtering is done on member text</li> <li>■ *NONE: Only those members with no text are included</li> <li>■ Character string: Only those members whose text contains the specified string, starting at any position, are included in the list. Up to fifty characters of search string may be specified. Upper and lower case differences are ignored. The character ? can be used as a wild character in the search string</li> </ul>
CRTSYSTEM	Filter on System where member was created	<ul style="list-style-type: none"> <li>■ *ANY: (default) No filtering on System where member was created</li> <li>■ Otherwise, specify an IBM i system name for filtering</li> </ul>
ASP	Filter on Auxiliary Storage Pool (ASP) where member resides	<ul style="list-style-type: none"> <li>■ *ANY: (default) No filtering on ASP</li> <li>■ Otherwise, specify an Auxiliary Storage Pool number</li> </ul>

Parameter	Definition	Value and Description
DATE	Member date on which to filter	<ul style="list-style-type: none"> <li>■ *ANY: (default) No filtering on date</li> <li>■ Otherwise, DATE is a list parameter made up of the following four elements: <ul style="list-style-type: none"> <li>■ Date type</li> <li>■ – *CRT: Filter on date member created</li> <li>■ – *CHG: Filter on date member last changed</li> <li>■ – *USD: Filter on date member last used</li> <li>■ – *URS: Filter on date usage counter was last resent</li> </ul> </li> <li>■ Date operator <ul style="list-style-type: none"> <li>■ – *EQ: (default) Equal to</li> <li>■ – *NE: Not equal to</li> <li>■ – *LT: Less than</li> <li>■ – *GT: Greater than</li> </ul> </li> <li>■ Date: Entered in system date format (QDATFMT).</li> <li>■ Time: Entered in HHMMSS format</li> </ul>
USAGE	Number of days since Usage Counter was reset	<ul style="list-style-type: none"> <li>■ *ANY: (default) No filtering on number of days used</li> <li>■ Otherwise, USAGE is a list of parameters made up of the following two elements: <ul style="list-style-type: none"> <li>■ Days used operator <ul style="list-style-type: none"> <li>■ – *EQ: (default) Equal to</li> <li>■ – *NE: Not equal to</li> <li>■ – *LT: Less than</li> <li>■ – *GT: Greater than</li> </ul> </li> <li>■ Days used entered as a number</li> </ul> </li> </ul>



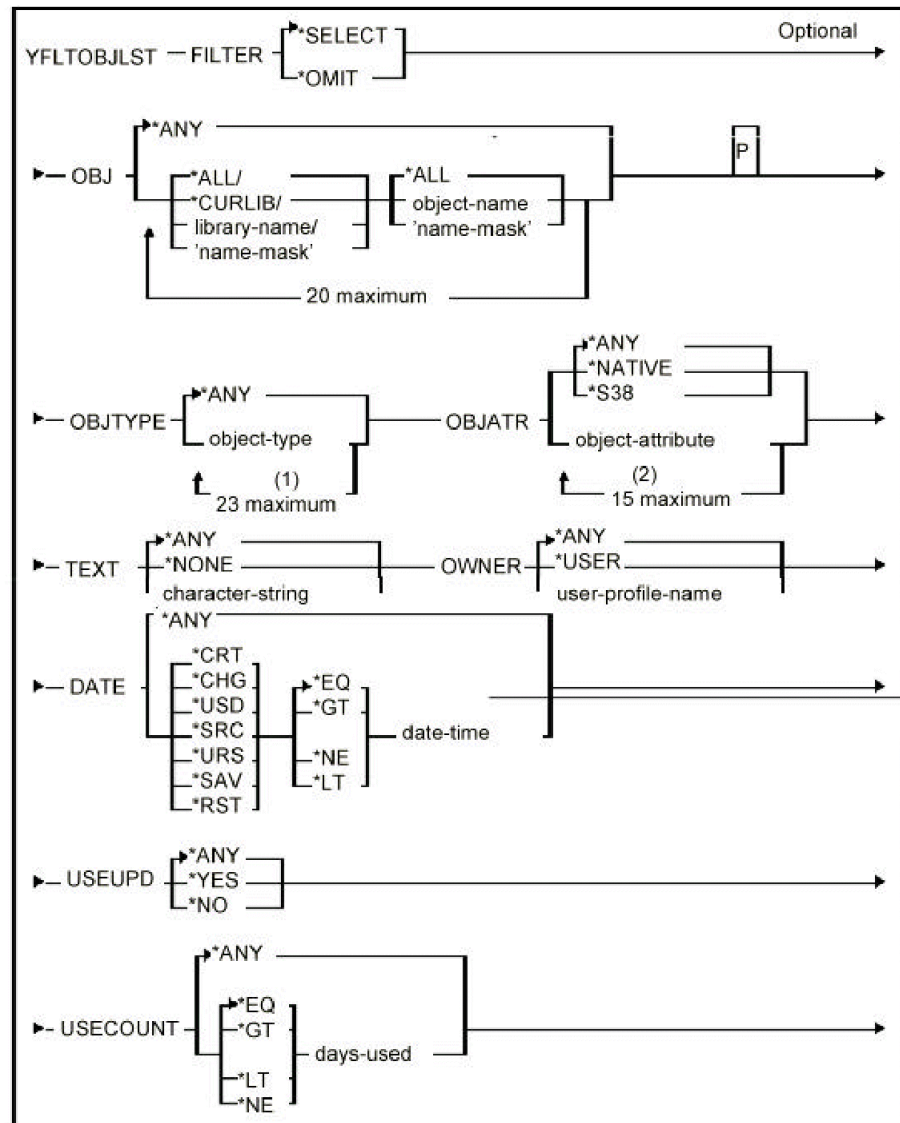
Parameter	Definition	Value and Description
NBRRCDs	Number of records in member on which to filter	<ul style="list-style-type: none"> <li>■ *ANY: (default) No filtering on number of records</li> <li>■ Otherwise, NBRRCDs is a list parameter made up of the following four elements: <ul style="list-style-type: none"> <li>■ Record type</li> <li>■ – *RCD: Filter on number of active records</li> <li>■ – *DLT: Filter on number of deleted records</li> <li>■ Date Operator <ul style="list-style-type: none"> <li>■ – *EQ: (default) Equal to</li> <li>■ – *NE: Not equal to</li> <li>■ – *LT: Less than</li> <li>■ – *GT: Greater than</li> </ul> </li> </ul> </li> </ul>
FLAGVAL	Flag value on which to filter	<ul style="list-style-type: none"> <li>■ *ANY: (default) No filtering is done on flag value</li> <li>■ Otherwise, FLAGVAL is a list parameter made up of the following two elements: <ul style="list-style-type: none"> <li>■ Relational operator for selection of flags <ul style="list-style-type: none"> <li>■ – *EQ: (default) Equal to</li> <li>■ – *NE: Not equal to</li> </ul> </li> <li>■ Flag value <ul style="list-style-type: none"> <li>■ Single character flag value or one of the special flag values</li> </ul> </li> </ul> </li> </ul>
UPDLST	List update option	<ul style="list-style-type: none"> <li>■ Up to two of the following values</li> <li>■ *RMVERR:(default) Remove items from list that do not meet the filter criteria</li> <li>■ *FLAGOK: Flag the items in the list that meet the filter criteria. Flag with the flag specified by the OUTFLAGVAL parameter</li> </ul>

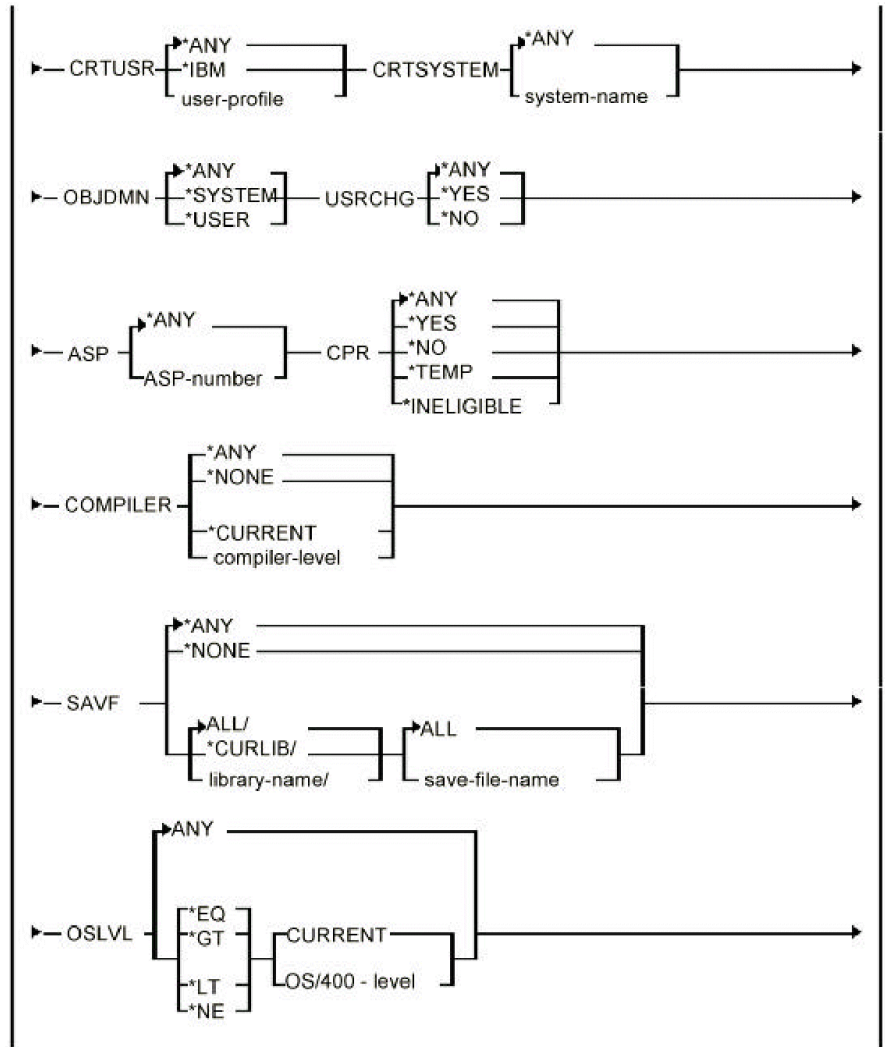
Parameter	Definition	Value and Description
MBRLST	Qualified name of member list which is to be filtered	<ul style="list-style-type: none"> <li>■ QTEMP/TEMPLST: (default) List name</li> </ul>
OUTFLAGVAL	Flag value given to selected items in resulting list if *FLAGOK is specified for the UPDLST parameter	<ul style="list-style-type: none"> <li>■ Single character flag value or one of the special flag values.</li> </ul>
OUTLST	Qualified name of copied output list with selected entries	<ul style="list-style-type: none"> <li>■ *NONE: (default) Selected list entries are not copied to an output list</li> <li>■ QTEMP/TEMPLSTOUT: (default) Output list name</li> </ul>
OUTLSTOPT	Output list replacement option for the list specified by the OUTLST parameter	<ul style="list-style-type: none"> <li>■ *REPLACE: (default) Create a new output list, replacing any previous list's contents</li> <li>■ *ADD: Add to any existing list's contents</li> </ul>
■	■	■

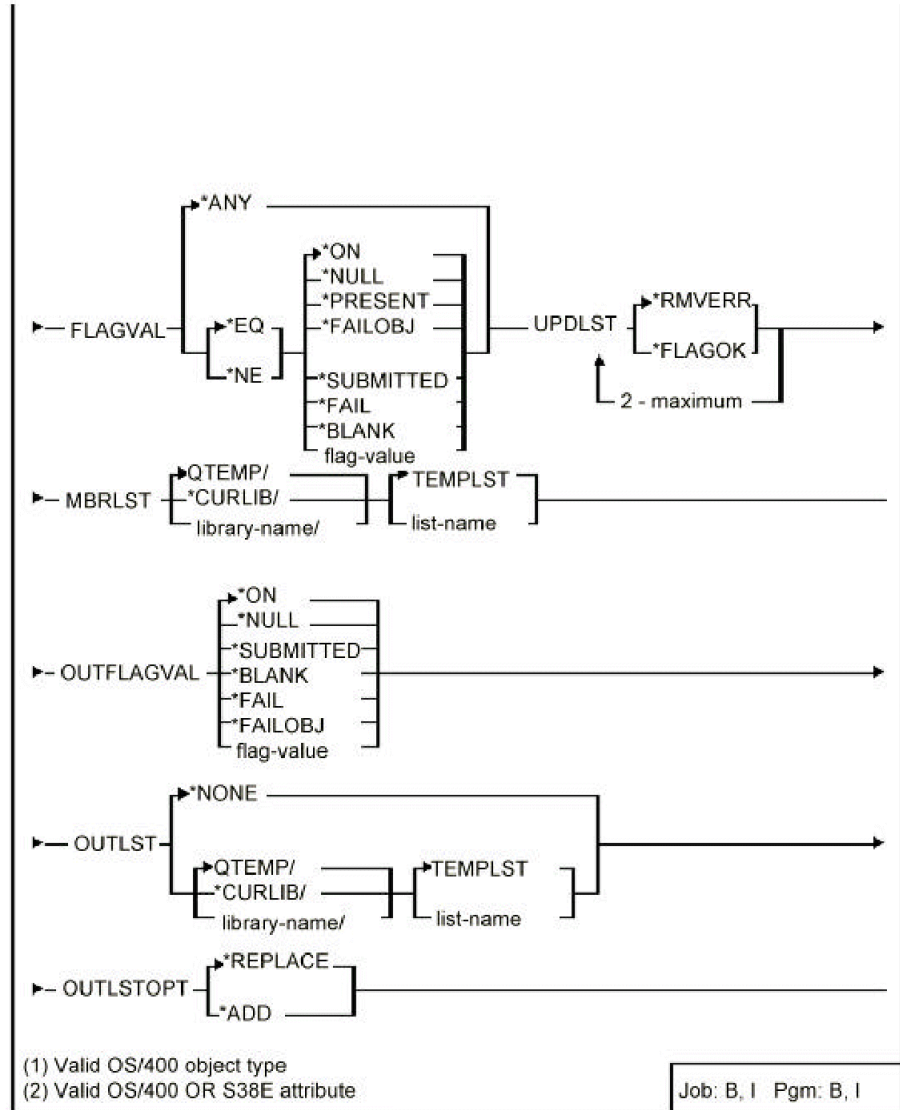
## YFLTOBJLST (Filter Object List)

This command removes or flags unwanted items from an existing object list.

## Syntax Diagram







## Parameters

Parameter	Definition	Value and Description
FILTER	Type of filtering required	<ul style="list-style-type: none"> <li>■ *SELECT: (default) Keep items which satisfy the filtering conditions</li> <li>■ *OMIT: Reject items which satisfy the filtering conditions</li> </ul>

Parameter	Definition	Value and Description
OBJ	List of qualified names or name masks of objects and libraries on which to filter. Name masks may contain '*' and '?' characters	<ul style="list-style-type: none"> <li>■ *ANY: (default) No filtering is done on object names</li> <li>■ '*ALL/name mask': Filter on object name but not on library name.</li> <li>■ 'name mask/*ALL': Filter on library name but not on object name</li> </ul>
OBJTYPE	List of object types on which to filter	<ul style="list-style-type: none"> <li>■ *ANY: (default) no filtering is done on type</li> <li>■ must be a valid i OS object type</li> </ul>
OBJATR	List of object attributes on which to filter	<ul style="list-style-type: none"> <li>■ Either one of the following single values</li> <li>■ *ANY: (default) No filtering is done on attribute</li> <li>■ *NATIVE: Must be a valid native i OS object attribute</li> <li>■ *S38: Must be a valid i OS S38 object attribute</li> <li>■ Or a list of up to fifteen of the following elements:</li> <li>■ Any valid i OS object attribute</li> <li>■ *PHY: Equivalent to using both *PF and *PF38</li> <li>■ *LGL: Equivalent to using both *LF and *LF38</li> <li>■ *DSP: Equivalent to using both *DSPF and *DSPF38</li> <li>■ *PRT: Equivalent to using both *PRTF and *PRTF38</li> </ul>
OWNER	Object owner to filter	<ul style="list-style-type: none"> <li>■ *ANY:(default) No filtering is done on owner</li> <li>■ *USER: Filter on user profile of current job</li> </ul>

Parameter	Definition	Value and Description
DATE	Date to filter	<ul style="list-style-type: none"> <li>■ *ANY: (default) No filtering is done on date</li> <li>■ Otherwise, DATE is a list parameter made up of the following four elements: <ul style="list-style-type: none"> <li>■ Date type on which to filter <ul style="list-style-type: none"> <li>■ – *CRT: Filter on date object was last created</li> <li>■ – *CHG: Filter on date object was last changed</li> <li>■ – *SRC: Date source was last changed</li> <li>■ – *SAV: Date object was last saved</li> <li>■ – *RST: Date object was last restored</li> <li>■ – *USD: Date object last used</li> <li>■ – *URS: Date usage counter was last reset</li> </ul> </li> <li>■ Date operator. <ul style="list-style-type: none"> <li>■ – *EQ: (default) Equal to</li> <li>■ – *NE: Not equal to</li> <li>■ – *LT: Less than</li> <li>■ – *GT: Greater than</li> </ul> </li> </ul> </li> <li>■ Date, entered in system date format</li> <li>■ Time, entered in HHMMSS format</li> </ul>
USEUPD	Usage data collected	<ul style="list-style-type: none"> <li>■ *ANY: (default) No filtering on usage data collected</li> <li>■ *YES: Filter on objects for which usage data is collected</li> <li>■ *NO: Do not filter on objects for which usage data is collected</li> </ul>

Parameter	Definition	Value and Description
USECOUNT	Number of days since usage counter was last reset	<ul style="list-style-type: none"> <li>■ *ANY: (default) No filtering number of days used</li> <li>■ Otherwise, USECOUNT is a list of parameters made up of the following two elements: <ul style="list-style-type: none"> <li>■ Days used operator <ul style="list-style-type: none"> <li>■ – *EQ: equal to</li> <li>■ – *NE: not equal to</li> <li>■ – *LT: less than</li> <li>■ – *GT: greater than</li> </ul> </li> <li>■ Days used: entered as a number</li> </ul> </li> </ul>
CRTUSR	Name of creator user profile on which to filter	<ul style="list-style-type: none"> <li>■ *ANY: (default) No filtering is done on creator</li> <li>■ *IBM: Filter on objects which were not created by any user profile</li> </ul>
CRTSYSTEM	Filter on system where object was created	<ul style="list-style-type: none"> <li>■ *ANY: (default) N filtering on system where object was created</li> <li>■ Otherwise, specify an IBM i (IBM i ) system name for filtering</li> </ul>
OBJDMN	Object domain on which to filter	<ul style="list-style-type: none"> <li>■ *ANY: (default) No filtering on object domain</li> <li>■ *SYSTEM: The object is in the system domain</li> <li>■ *USER: The object is in the user domain</li> </ul>
USRCHG	Filter on objects modified by a user	<ul style="list-style-type: none"> <li>■ *ANY: (default) No filtering on user modified</li> <li>■ *YES: Object is modified by a user</li> <li>■ *NO: Object is not modified by a user</li> </ul>
ASP	Filter on auxiliary storage pool (ASP) where object resides	<ul style="list-style-type: none"> <li>■ *ANY: (default) No filtering on ASP</li> <li>■ Otherwise, specify an auxiliary storage pool number</li> </ul>



Parameter	Definition	Value and Description
CPR	Compression status on which to filter	<ul style="list-style-type: none"> <li>■ *ANY: (default) No filtering on compression status</li> <li>■ *YES: Filter on permanently compressed objects</li> <li>■ *NO: Filter on objects eligible for compression but not compressed.</li> <li>■ *TEMP: Filter on objects temporarily compressed</li> <li>■ *INELIGIBLE: Filter is ineligible for compression</li> <li>■ Compiler</li> <li>■ Compiler level at object creation on which to filter</li> <li>■ *ANY: (default) No filtering is done on compiler level</li> <li>■ *NONE: Filter on objects not compiled</li> <li>■ *CURRENT: Filter on compiler level same as i OS level of machine executing the filter</li> <li>■ Otherwise, COMPILER is a decimal number VRR.MM, where V is Version, RR is release, and MM is machine level</li> </ul>
SAVF	Qualified name of save file on which to filter	<ul style="list-style-type: none"> <li>■ *ANY: (default) Do not filter on save file</li> <li>■ *NONE: Filter on objects which have not been saved to a save file</li> <li>■ Save file *ALL: Do not filter on file name</li> <li>■ Save library *ALL: Do not filter on library name</li> </ul>

Parameter	Definition	Value and Description
OSLVL	i OS level at which object was created	<ul style="list-style-type: none"> <li>■ *ANY: (default) no filtering will be done on i OS level</li> <li>■ *CURRENT: filter on i OS level of machine executing the filter</li> <li>■ Otherwise, OSLVL is a decimal number VRR.MM, where V is Version, RR is release, and MM is machine level</li> <li>■ Relational operator for compiler level filtering                             <ul style="list-style-type: none"> <li>■ – *EQ: (default) equal to</li> <li>■ – *NE: not equal to</li> <li>■ – *LT: less than</li> <li>■ – *GT: greater than</li> </ul> </li> <li>■ Four digit number with two decimal places where RR is the release level, and MM is the modification level                             <ul style="list-style-type: none"> <li>■ – *CURRENT: (default) Use the current i OS level</li> </ul> </li> </ul>
OBJSIZE	Object size on which to filter	<ul style="list-style-type: none"> <li>■ *ANY: (default) No filtering is done on object size</li> <li>■ Otherwise, OBJSIZE is a list parameter made up of the following two elements:</li> <li>■ Relational operator for object size filtering                             <ul style="list-style-type: none"> <li>■ – *EQ: (default) Equal to</li> <li>■ – *NE: Not equal to</li> <li>■ – *LT: Less than</li> <li>■ – *GT: Greater than</li> </ul> </li> <li>■ Object size in bytes                             <ul style="list-style-type: none"> <li>■ – *ZERO: (default) Zero bytes</li> </ul> </li> </ul>

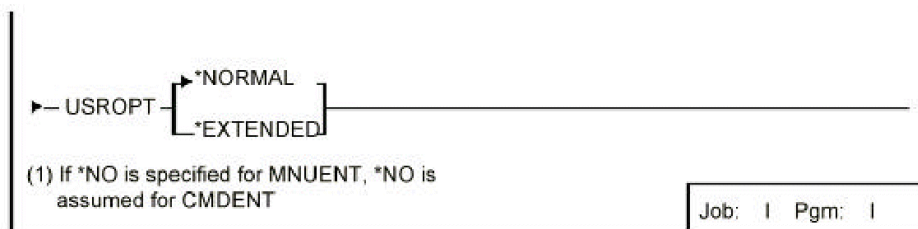
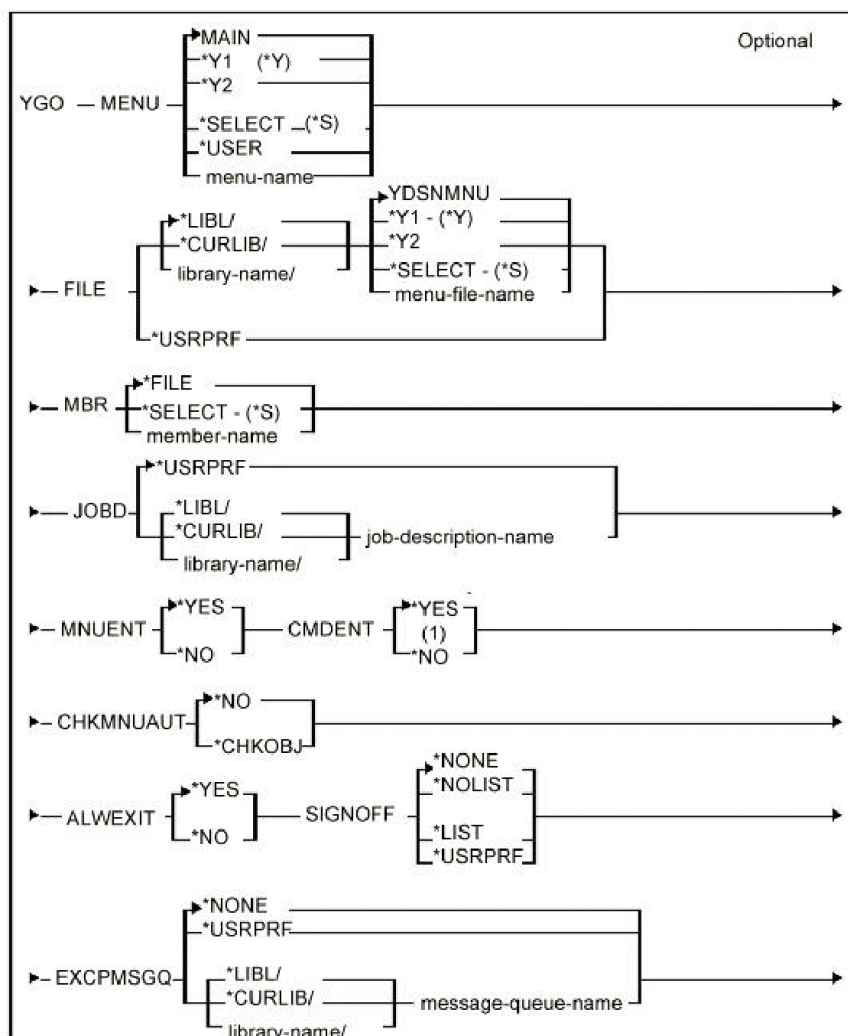
Parameter	Definition	Value and Description
OBJDAMAGE	Object damage status on which to filter	<ul style="list-style-type: none"> <li>■ *ANY: (default) No filtering is done on object damage status</li> <li>■ *DAMAGED: Only damaged objects are to be included in the list</li> <li>■ *UNDAMAGED: Only undamaged objects are to be included in the list</li> </ul>
TEXT	Object text on which to filter	<ul style="list-style-type: none"> <li>■ *ANY: (default) No filtering is done on object text</li> <li>■ *NONE: Only those objects with no text included</li> <li>■ Character string: Only those objects whose text contains the specified string, starting at any position, is included in the list. Up to fifty characters of search string can be specified. Upper and lower case differences are ignored. The character ? can be used as a wild character in the search string</li> </ul>
FLAGVAL	Flag value on which to filter	<ul style="list-style-type: none"> <li>■ *ANY: (default) No filtering is done on flag value</li> <li>■ Otherwise, FLAGVAL is a list parameter made up of the following two elements: <ul style="list-style-type: none"> <li>■ Relational operator for selection of flags <ul style="list-style-type: none"> <li>■ – *EQ: (default) Equal to</li> <li>■ – *NE: Not equal to</li> </ul> </li> <li>■ Flag value <ul style="list-style-type: none"> <li>■ – Single character flag value or one of the special flag values</li> </ul> </li> </ul> </li> </ul>

Parameter	Definition	Value and Description
UPDLST	List update option. Up to two of the following values	<ul style="list-style-type: none"> <li>■ RMVERR: Remove items from list that do not meet the filter criteria</li> <li>■ *FLAGOK: Flag list items that meet the filter criteria. Flag with the flag specified by the OUTFLAGVAL parameter</li> </ul>
OBJLST	Qualified name of the filtered object list	<ul style="list-style-type: none"> <li>■ QTEMP/TEMPLST: (default) List name</li> </ul>
OUTFLAGVAL	Flag value given to selected items in resulting list	<ul style="list-style-type: none"> <li>■ *FLAGOK is specified for the UPDLST parameter</li> <li>■ Single character flag value or one of the special flag values</li> </ul>
OUTLST	Qualified name of output list where selected entries are copied	<ul style="list-style-type: none"> <li>■ *NONE: (default) Selected list entries are not copied to an output list</li> <li>■ QTEMP/TEMPLST: (default) output list name</li> </ul>
OUTLSTOPT	Output list replacement option specified by the OUTLST parameter	<ul style="list-style-type: none"> <li>■ *REPLACE: (default) Create a new output list, replacing any previous list's contents</li> <li>■ *ADD: Add to any existing list's contents</li> </ul>

## YGO (Go to Menu)

This command displays type menus, starting with a specified menu.

## Syntax Diagram



## Parameters

Parameter	Definition	Value and Description
MENU	Name of first menu which is displayed	<ul style="list-style-type: none"> <li>■ MAIN: (default) Menu named MAIN is displayed</li> <li>■ *Y1: The master help menu for the utilities is displayed</li> <li>■ *Y2: The master help menu for the application generator is displayed</li> <li>■ *SELECT: A list of available menus are displayed, one of which may be selected</li> <li>■ *USER: A menu with the same name as the current user's user profile is displayed</li> </ul>
FILE	Qualified name of the file containing menus	<ul style="list-style-type: none"> <li>■ YDSNMNU: (default) File name</li> <li>■ *USRPRF: The menu file specified for the user profile with the command Change User Profile (YCHGUSRPRF) is used</li> <li>■ *Y1: Help menu file</li> <li>■ *Y2: Help menu file</li> <li>■ *SELECT: A list of available menu files are displayed</li> </ul>

The file must be created with the YCR TDS NF command

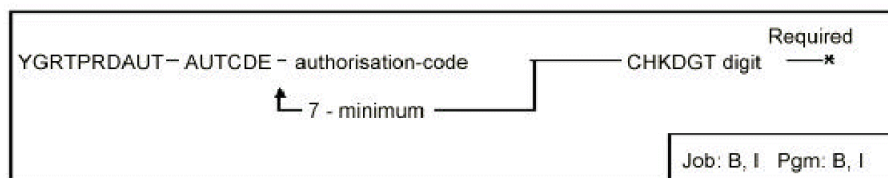
Parameter	Definition	Value and Description
MBR	Name of member in file containing the menus	<ul style="list-style-type: none"> <li>■ *FILE: (default) The member name will be assumed to be the same as the file name.</li> <li>■ *SELECT: A list of available menu file members are displayed</li> </ul>
JOB	Qualified name of job description to be used by the menu program when submitting jobs	<ul style="list-style-type: none"> <li>■ *USRPRF: (default) Job description specified for the user profile is used</li> </ul>
MNUENT	Direct menu name entry allowed option	<ul style="list-style-type: none"> <li>■ *YES: (default) Allow entry of menu names</li> <li>■ *NO: Do not allow menu name entry</li> </ul>
CMDENT	Command entry allowed option	<ul style="list-style-type: none"> <li>■ *YES: (default) Allow entry of command requests</li> <li>■ *NO: Do not allow command entry</li> </ul>
CHKMNUAUT	Authority checking of menu options	<ul style="list-style-type: none"> <li>■ *NO: (default) No authority checking of options in menu</li> <li>■ *CHKOBJ: Authority checking of options in menu to take place</li> </ul>
ALWEXIT	Allow exit from top menu by pressing F03	<ul style="list-style-type: none"> <li>■ *YES: (default) Allow exit via F03</li> <li>■ *NO: Do not allow exit via F03</li> </ul>
SIGNOFF	Effect of taking so from any menu display	<ul style="list-style-type: none"> <li>■ *NONE: (default) Return to caller</li> <li>■ *NOLIST: Execute SIGNOFF(*NOLIST)</li> <li>■ *LIST: Execute SIGNOFF(*LIST)</li> <li>■ *USRPRF: Execute SIGNOFF using signoff option from user profile extension attributes</li> </ul>

Parameter	Definition	Value and Description
EXCPMSGQ	Qualified name of message queue to which a copy of any exception message received by the display menu program is to be sent	<ul style="list-style-type: none"> <li>■ *NONE: (default) Do not send a copy of exception messages</li> <li>■ *USRPRF: The default message queue specified for the user profile is used</li> </ul>
USROPT	Display option	<ul style="list-style-type: none"> <li>■ *NORMAL: (default) Display menu display with SAA standards</li> <li>■ *EXTENDED: Display menu display with extended display options, including date and time</li> </ul>

## YGRTPRDAUT (Grant Product Authority)

This command allows you to enter a code to enable the products.

### Syntax Diagram



### Parameters

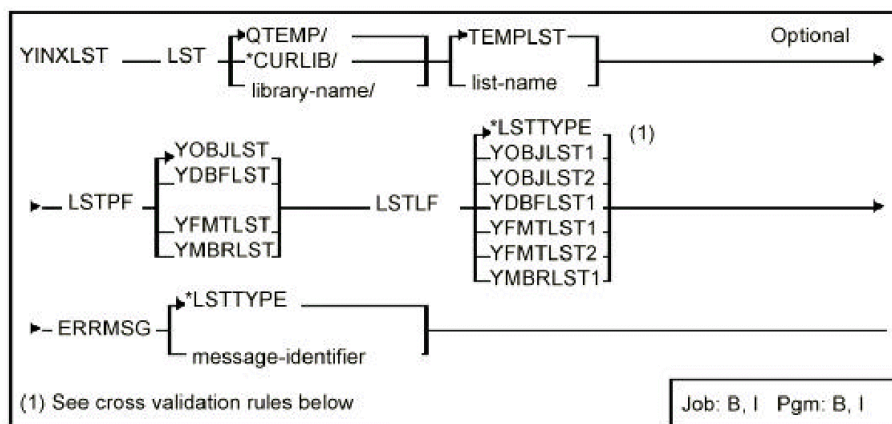
Parameter	Definition	Value and Description
AUTCDE	Authorization code which is made up of seven four digit hex numbers	
CHKDGT	The check digit is a number between zero and nine. Your representative will issue you with a check digit	



## YINXLST (Index List)

This command adds a logical file member to a specified physical file. Intended primarily for internal use by utilities.

### Syntax Diagram



### Parameters

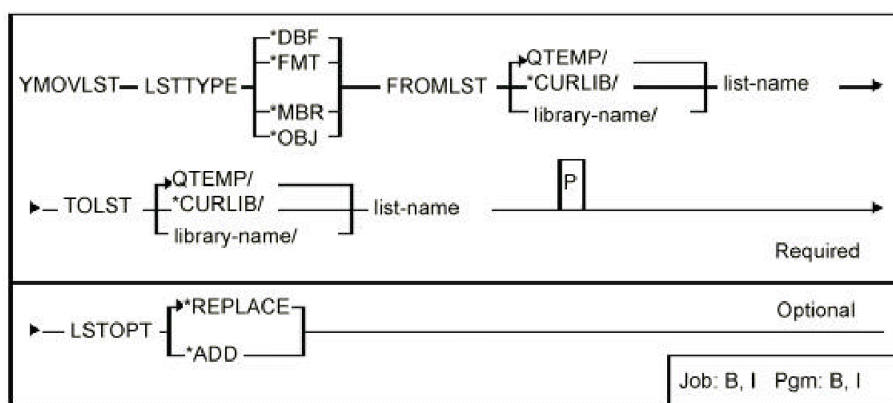
Parameter	Definition	Value and Description
LST	Qualified name of list which is to be indexed	<ul style="list-style-type: none"> <li>■ QTEMP/TEMPLST: (default) List name</li> </ul>
LSTPF	Name of physical file containing list	<ul style="list-style-type: none"> <li>■ YOBJLST: (default) Object list (QADSPOBJ)</li> <li>■ YDBFLST: Database file list (QAFDMBR)</li> <li>■ YFMTLST: Format list (QAFDRFMT)</li> <li>■ YMBRLST: Member list (QAFDMBRL)</li> </ul>

Parameter	Definition	Value and Description
LSTLF	Name of logical file to which member is to be added. See the following table	<ul style="list-style-type: none"> <li>■ *LSTTYPE: (default) Determine from LSTPF - see table</li> <li>■ YOBJLST1: Object name/library index</li> <li>■ YOBJLST2: Object name/type index</li> <li>■ YFMTLST1: Format name/file/library index</li> <li>■ YFMTLST2: Format name/format id</li> <li>■ YDBFLST1: File name/library index</li> <li>■ YMBRLST1: Member name/file/library index</li> </ul>
ERRMSG	Message identifier of message which is to be sent as an escape message if the list is not found. The message must be in the message file, YYYYMSG	<ul style="list-style-type: none"> <li>■ *LSTTYPE: (default) Determine from LSTPF</li> </ul>

## YMOVLST (Move List)

This command moves an object, member, format or database file list to another list file.

### Syntax Diagram



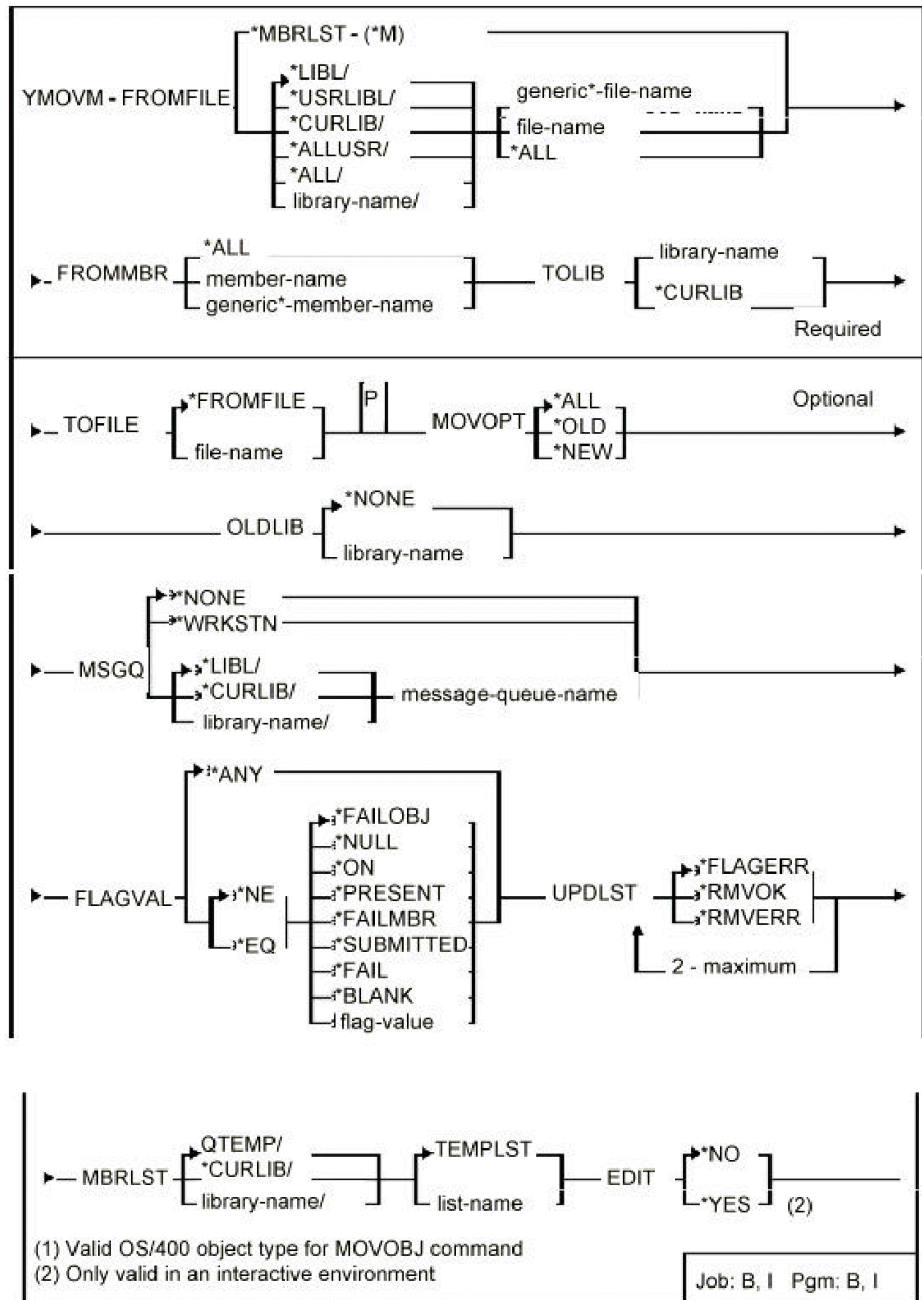
## Parameters

Parameter	Definition	Value and Description
LSTTYPE	Type of list moved	<ul style="list-style-type: none"> <li>■ *DBF: Database file list</li> <li>■ *FMT: Format list</li> <li>■ *MBR: Member list</li> <li>■ *OBJ: Object list</li> </ul>
FROMLST	Qualified name of moved list	
TOLST	Qualified name of destination list	
LSTOPT	List replacement option	<ul style="list-style-type: none"> <li>■ *REPLACE: (default) Replace any existing contents of the list identified by TOLST parameter</li> <li>■ *ADD: Add to any existing TOLST contents</li> </ul>

## YMOVM (Move Member)

This command moves a list of source members. The list can either be specified by a generic name, or by using a member list. Movement consists of copying the member to the destination file, then removing the original member. The old version of the member may also be archived.

## Syntax Diagram



## Parameters

Parameter	Definition	Value and Description
FROMFILE	Qualified generic name of file containing members which are to be moved	<ul style="list-style-type: none"> <li>■ *MBRLST: (default) Move members named in member list specified with the MBRLST parameter</li> <li>■ *ALL: Move all files in the specified library</li> </ul>
FROMMBR	Generic name of members to be moved	<ul style="list-style-type: none"> <li>■ *ALL: Move all members in the specified file or files</li> </ul>
TOLIB	Destination library to which members are to be moved. A copy of the from file must already exist in the to library	<ul style="list-style-type: none"> <li>■ *CURLIB (default) Move members to a file in the invoking job's current library</li> </ul>
TOFILE	Name of file in destination library	<ul style="list-style-type: none"> <li>■ *FROMFILE: (default) Each member is moved to a file of the same name as the file in the from library containing the member</li> </ul>
MOVOPT	Movement option	<ul style="list-style-type: none"> <li>■ *ALL: (default) All the found members are moved</li> <li>■ *OLD: Only existing members in the destination file are to be moved</li> <li>■ *NEW: Only found members that do not already exist in the destination file are moved</li> </ul>
OLDLIB	Name of archive library	<ul style="list-style-type: none"> <li>■ *NONE: (default) No archive copy is kept,</li> <li>■ If the member already exists in a file in the library specified by OLDLIB, it is replaced</li> </ul>

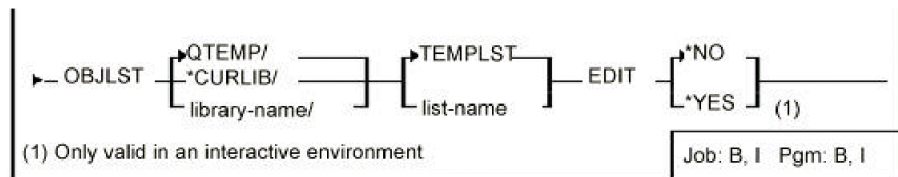
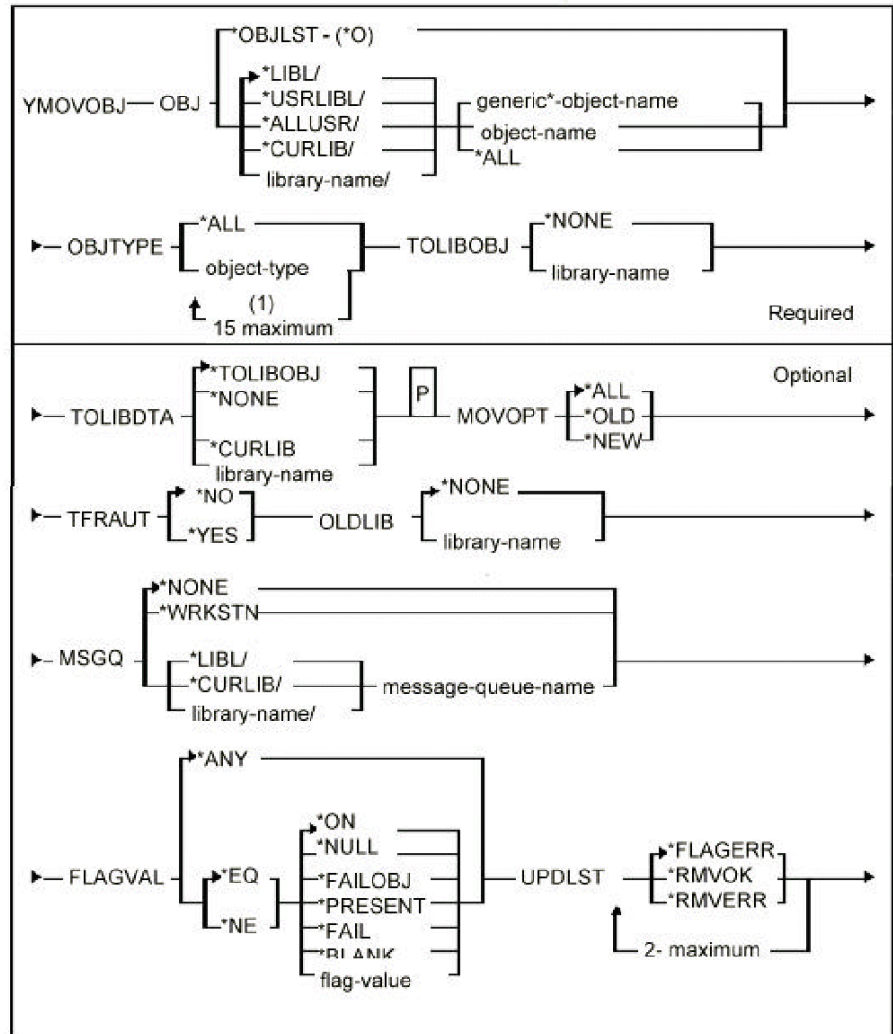
Parameter	Definition	Value and Description
MSGQ	Qualified name of message queue to which a completion message is to be sent for each member moved. May be used to provide a control log of program implementation	<ul style="list-style-type: none"> <li>■ *NONE: (default) No message is sent.</li> <li>■ *WRKSTN: Messages is sent to the current workstation's message queue</li> </ul>
FLAGVAL	Flag value of list items to move	<ul style="list-style-type: none"> <li>■ A list parameter made up of the following two elements: <ul style="list-style-type: none"> <li>■ Relational operator for selection of flags <ul style="list-style-type: none"> <li>■ – *EQ: (default) Equal to</li> <li>■ – *NE: Not equal to</li> </ul> </li> <li>■ Flag value <ul style="list-style-type: none"> <li>■ Single character flag value or one of the special flag values.</li> </ul> </li> </ul> </li> <li>■ Otherwise *ANY executes all list entries</li> </ul>
UPDLST	List update option	<ul style="list-style-type: none"> <li>■ Up to two of the following values: <ul style="list-style-type: none"> <li>■ *FLAGERR: (default) List items not successfully moved are flagged with M (*FAILMBR)</li> <li>■ *RMVOK: List items successfully moved are removed from the list</li> <li>■ *RMVERR: List items not successfully moved are removed from the list</li> </ul> </li> </ul>
MBRLST	Qualified name of member list indicating members that are to be moved	<ul style="list-style-type: none"> <li>■ QTEMP/TEMPLST: (default) List name</li> <li>■ Specify FROMFILE(*MBRLST) to use an existing member list</li> </ul>

Parameter	Definition	Value and Description
EDIT	Edit list required	<ul style="list-style-type: none"><li>■ *NO: (default) No editing required</li><li>■ *YES: The edit member list function is invoked to edit the list before execution</li></ul>

## YMOVOBJ (Move Objects)

This command moves a list of objects. The list can either be specified by a generic name or by using a list. Data and application objects can be directed to different destination libraries, and a log kept of movements. Authorizations can be preserved.

## Syntax Diagram





## Parameters

Parameter	Definition	Value and Description
OBJ	Qualified generic name of moved objects	<ul style="list-style-type: none"> <li>■ *OBJLST: An object list specified by the OBJLST parameter, names the objects which are to be moved</li> <li>■ *ALL: All objects in the specified libraries are to be moved</li> </ul>
OBJTYPE	Lists object to be moved	<ul style="list-style-type: none"> <li>■ *ALL: All object types are to be moved.\</li> <li>■ If OBJ(*OBJLST) is specified then *ALL should be specified for OBJTYPE. Note that certain i OS object types may not be moved</li> </ul>
TOLIBOBJ	Library to which non-data objects are to be moved	<ul style="list-style-type: none"> <li>■ *NONE: Non-data objects are not moved</li> <li>■ *CURLIB: Move non-data objects to current library</li> </ul>
TOLIBDTA	Destination library for data objects. Data objects include physical and logical files, and data areas	<ul style="list-style-type: none"> <li>■ *TOLIBOBJ: (default) Move data objects to the library specified by the TOLIBOBJ parameter</li> <li>■ *CURLIB: Move data objects to current library</li> <li>■ *NONE: Data objects are not to be moved *NONE may not be specified for both TOLIBOBJ and TOLIBDTA</li> </ul>
MOVOPT	Movement option	<ul style="list-style-type: none"> <li>■ *ALL: (default) All the found objects are to be moved</li> <li>■ *OLD: Only found objects that already exist in the destination library are to be moved</li> <li>■ *NEW: Only found objects that do not already exist in the destination library are to be moved</li> </ul>

Parameter	Definition	Value and Description
TFRAUT	Transfer authorities	<ul style="list-style-type: none"> <li>■ *NO: (default) No authorities are to be transferred</li> <li>■ *YES: Any authorities that any existing version of the object in the library named by the TOLIB parameter possesses is granted to the object that replaces it</li> </ul>
OLDLIB	Library to place versions of the objects that already exist in the destination library.	<ul style="list-style-type: none"> <li>■ *NONE: (default) If a copy of the object already exists in the destination library, that copy is deleted</li> </ul>
MSGQ	Qualified name of message queue to which a completion message is to be sent for each object moved. May be used to provide a control log of program implementation	<ul style="list-style-type: none"> <li>■ *NONE: (default) No message is sent</li> <li>■ *WRKSTN: Messages are sent to the current workstation's message queue</li> </ul>
FLAGVAL	Flag value of list items to move	<ul style="list-style-type: none"> <li>■ *ANY: (default) Move objects regardless of the flag values of their list entries</li> <li>■ Otherwise, FLAGVAL is a list parameter made up of the following two elements: <ul style="list-style-type: none"> <li>■ Relational operator for selection of flags <ul style="list-style-type: none"> <li>■ – *EQ: (default) Equal to</li> <li>■ – *NE: Not equal to</li> </ul> </li> <li>■ Flag value <ul style="list-style-type: none"> <li>■ – Single character flag value or one of the special flag values</li> </ul> </li> </ul> </li> </ul>

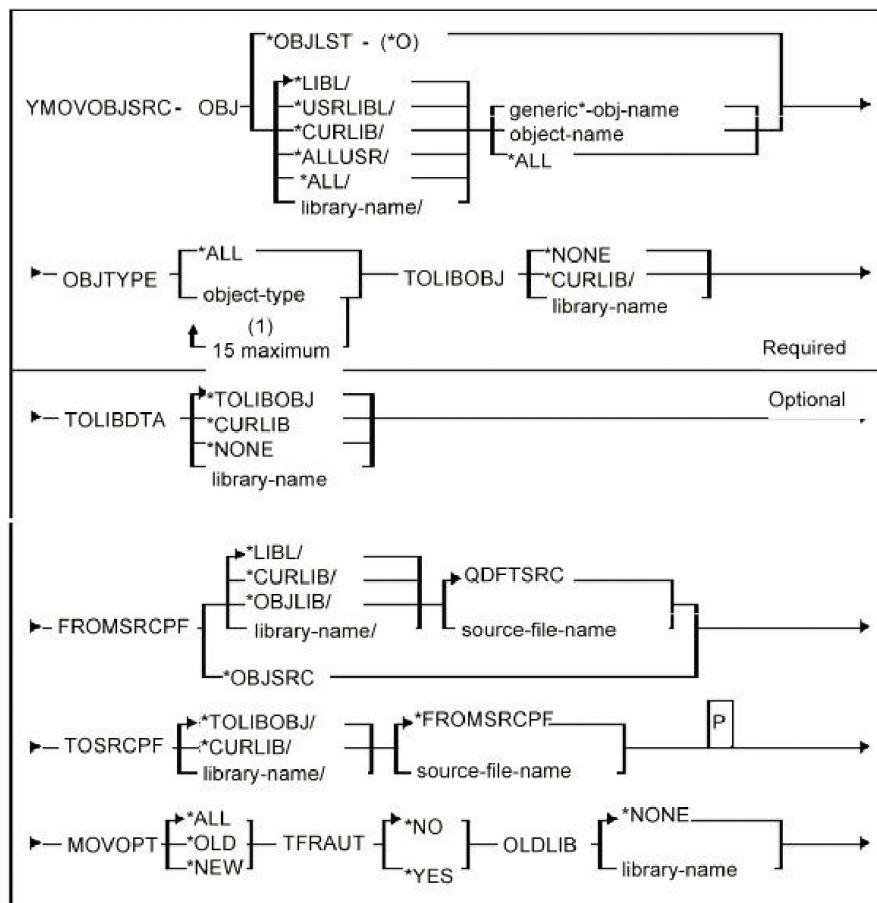
Parameter	Definition	Value and Description
UPDLST	List update option. Up to two of the following values	<ul style="list-style-type: none"> <li>■ *FLAGERR: (default) Flag the list entries for those objects which are not successfully moved with O (*FAILOBJ)</li> <li>■ *RMVOK: Remove the list entries for those objects which are successfully moved</li> <li>■ *RMVERR: Remove the list entries for those objects items which are not successfully moved</li> </ul>
OBJLST	Qualified name of object list that specifies objects that are to be moved	<ul style="list-style-type: none"> <li>■ QTEMP/TEMPLST: (default) List name</li> <li>■ Specify OBJ(*OBJLST) to use an existing list</li> </ul>
EDIT	Edit list	<ul style="list-style-type: none"> <li>■ *NO: (default) Do not invoke list edit function</li> <li>■ *YES: The edit list function is to be invoked before executing the move</li> </ul>

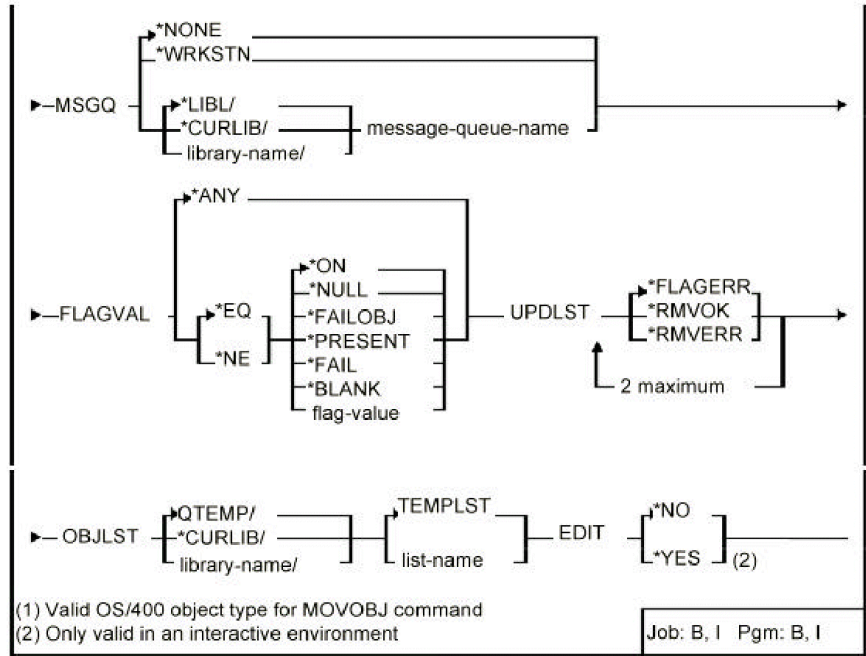
## YMOVOBJSRC (Move Objects & Source)

This command moves a list of objects and their accompanying source members. The list may either be specified by a generic name, or by a object list. Data and application objects may be directed to different destination libraries, and a log kept of movements. Authorities can be preserved automatically.

## Syntax Diagram

The diagram appears on the following page.





## Parameters

Parameter	Definition	Value and Description
OBJ	Qualified generic name of objects moved	<ul style="list-style-type: none"> <li>■ *OBJLST: Object list specified by <b>OBJLST</b> parameter specifies objects to be moved</li> <li>■ *ALL: All objects in specified libraries are to be moved</li> </ul>
OBJTYPE	Type of object to be moved	<ul style="list-style-type: none"> <li>■ *ALL: All object types are to be moved</li> </ul>
TOLIBOBJ	Destination library to which non-data objects are to be moved	<ul style="list-style-type: none"> <li>■ *NONE: Non-data objects are not to be moved</li> <li>■ *CURLIB: Move non-data objects to current library</li> </ul>

Parameter	Definition	Value and Description
TOLIBDTA	Destination library to which data objects are to be moved. Data objects include physical and logical files, and data areas	<ul style="list-style-type: none"> <li>■ *TOLIBOBJ: (default) Use the library whose name is specified by the TOLIBOBJ parameter</li> <li>■ *NONE: Data objects are not to be moved. *NONE May not be specified for both destination libraries</li> <li>■ *CURLIB: Move data objects to current library</li> </ul>
FROMSRCPF	Qualified name of source file from which source members are moved	<ul style="list-style-type: none"> <li>■ *QDFTSRC: (default) The source file defaulted to the appropriate default source file name for the object type and attribute</li> <li>■ *OBSRC: The source file and member where the object was created</li> </ul>
TOSRCPF	Qualified name of destination source file	<ul style="list-style-type: none"> <li>■ *FROMSRCPF: (default) The file name in the destination library is the same as that of the file containing the member in the originating library</li> <li>■ The library name defaults to the library specified by the TOLIBOBJ parameter</li> </ul>
MOVOPT	Movement option	<ul style="list-style-type: none"> <li>■ *ALL: (default) All objects are moved</li> <li>■ *OLD: Only found objects that already exist in the destination library are moved</li> <li>■ *NEW: Only found objects that do not already exist in the destination library are moved</li> </ul>

Parameter	Definition	Value and Description
TFRAUT	Transfer authorities	<ul style="list-style-type: none"> <li>■ *NO: (default) No authorities are transferred</li> <li>■ *YES: Any existing object in the TOLIB library possesses are granted to the object that replaces it</li> </ul>
OLDLIB	Library in which to place any old versions of the objects and source already exist in the destination library or libraries. (If a version already exists in the library specified by the OLDLIB parameter	<ul style="list-style-type: none"> <li>■ *NONE: (default) Do not keep the previous copy; if a copy of the object already exists in the destination libraries, that copy is deleted (if it is not a data object)</li> </ul>
MSGQ	Qualified name of a message queue to which a completion message is to be sent recording each object and each member moved. May be used to provide a control log of program implementation	<ul style="list-style-type: none"> <li>■ NONE: (default) No message is sent</li> <li>■ *WRKSTN: Messages are sent to the current workstation's message queue</li> </ul>
FLAGVAL	Flag value of list items to move	<ul style="list-style-type: none"> <li>■ *ANY: (default) Move objects regardless of the flag values of their list entries</li> <li>■ Otherwise, FLAGVAL is a list parameter made up of the following two elements: <ul style="list-style-type: none"> <li>■ Relational operator for selection of flags <ul style="list-style-type: none"> <li>■ – *EQ: (default) Equal to</li> <li>■ – *NE: Not equal to</li> </ul> </li> <li>■ Flag value <ul style="list-style-type: none"> <li>■ – Single character flag value or one of the special flag values</li> </ul> </li> </ul> </li> </ul>

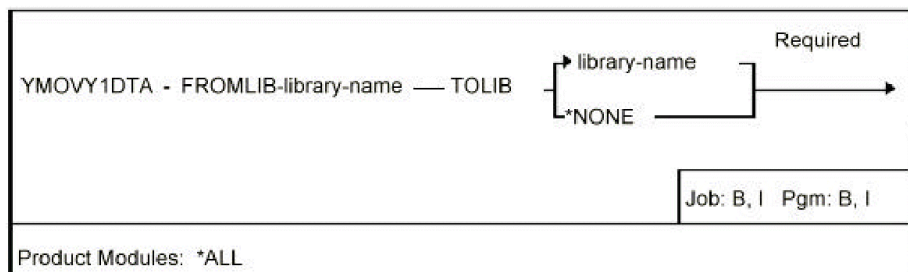


Parameter	Definition	Value and Description
UPDLST	List update option. Up to two of the following values	<ul style="list-style-type: none"> <li>■ *FLAGERR: (default) Flag the list entries for those objects not successfully moved with O (*FAILOBJ). The corresponding member list are flagged with M (*FAILMBR)</li> <li>■ *RMVOK: Remove the list entries for those objects successfully moved</li> <li>■ *RMVERR: Remove the list entries for those objects items not successfully moved</li> </ul>
OBJLST	Qualified name of a object list specifying the objects that are to be moved	<ul style="list-style-type: none"> <li>■ QTEMP/TEMPLST: (default) List name</li> <li>■ Specify OBJ(*OBJLST) to use an existing list</li> </ul>
EDIT	Edit list option	<ul style="list-style-type: none"> <li>■ *NO: (default) Do not invoke the list edit function</li> <li>■ *YES: The edit list function is to be invoked before executing the move</li> </ul>

## YMOVY1DTA (Move User Data Objects)

This command moves created user objects that might contain data from one library to another.

### Syntax Diagram



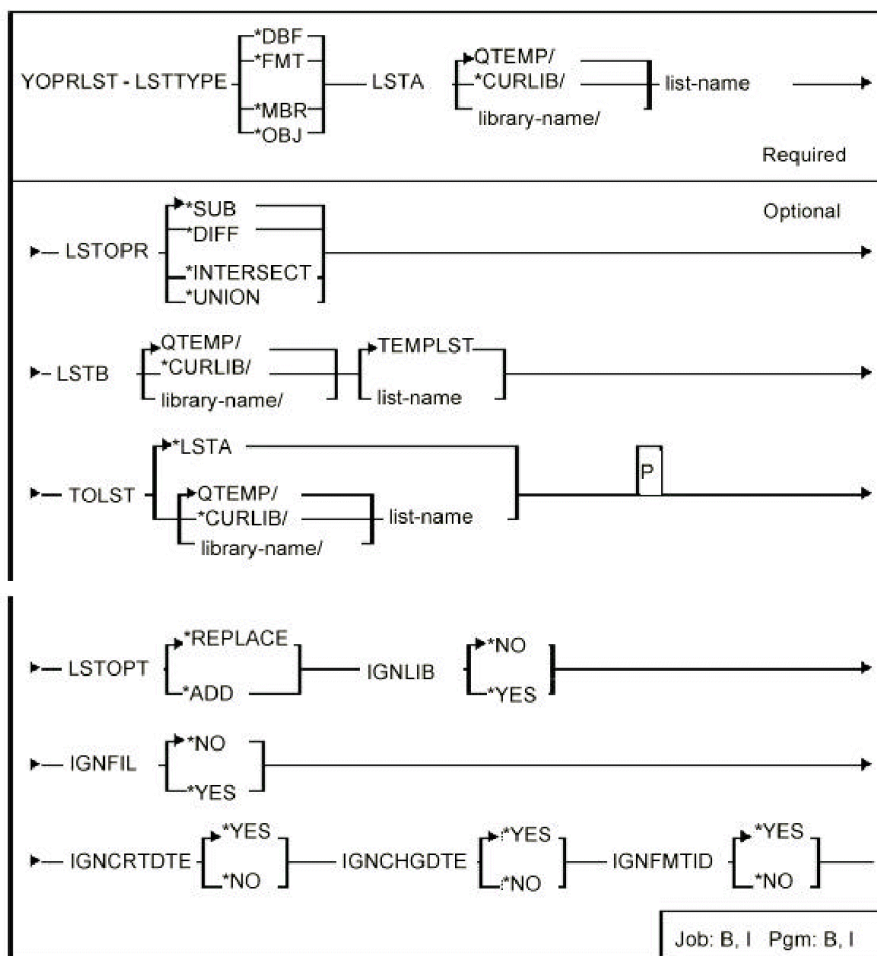
## Parameters

Parameter	Definition	Value and Description
FROMLIB	Name of library from which user data objects are moved	
TOLIB	Name of library to which user data objects are moved	*NONE: Special value: Only check the library to see if any objects exist. Do not move them

## YOPRLST (Operate on List)

This command performs a set operation on two input lists yielding a result list.

## Syntax Diagram



## Parameters

Parameter	Definition	Value and Description
LSTTYPE	List type for operation	<ul style="list-style-type: none"> <li>■ *DBF: Database file list</li> <li>■ *FMT: Format list.</li> <li>■ *MBR: Member list.</li> <li>■ *OBJ: Object list</li> </ul>
LSTA	Qualified name of a list which is operand 1	<ul style="list-style-type: none"> <li>■</li> </ul>

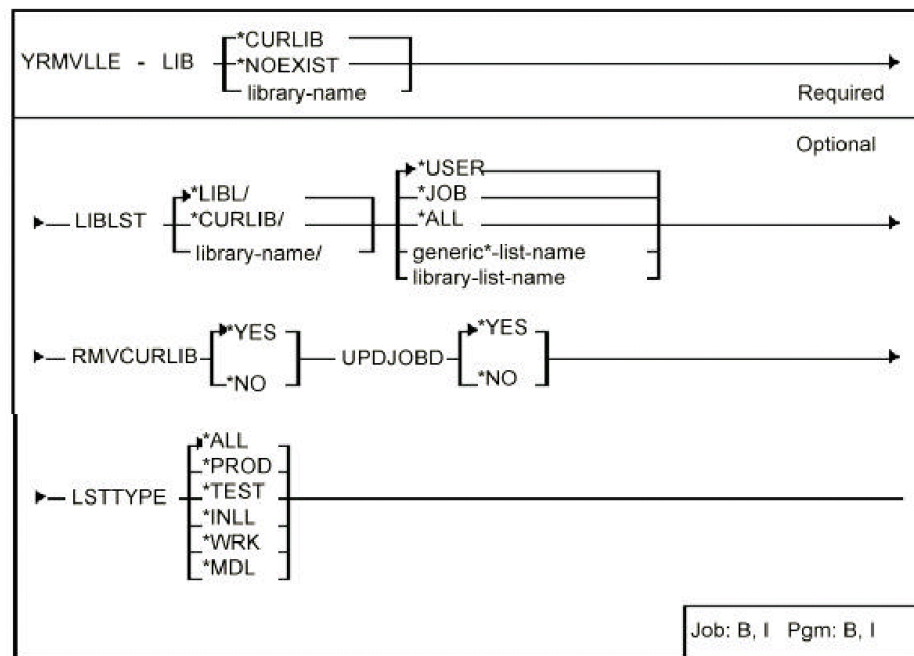
Parameter	Definition	Value and Description
LSTOPR	List (set) operation	<ul style="list-style-type: none"> <li>■ *SUB: (default) Subtract contents of LSTB from LSTA</li> <li>■ *DIFF: Calculate difference between two lists</li> <li>■ *INTERSECT: Calculate intersection of two lists</li> <li>■ *UNION: Calculate union of two lists</li> </ul>
LSTB	Qualified name of a list which is operand 2	<ul style="list-style-type: none"> <li>■ QTEMP/TEMPLST: (default) List name</li> </ul>
TOLST	Qualified name of a list to contain the result	<ul style="list-style-type: none"> <li>■ *LSTA: Place result of the operation in list named by LSTA parameter</li> </ul>
LSTOPT	List replacement option	<ul style="list-style-type: none"> <li>■ *REPLACE: (default) Replace any existing contents of TOLST</li> <li>■ *ADD: Add to current TOLST contents</li> </ul>
IGNLIB	Ignore library names when comparing list items	<ul style="list-style-type: none"> <li>■ *NO: (default) Use library name when comparing list items</li> <li>■ *YES: Ignore library name</li> </ul>
IGNFIL	Ignore file names when comparing member list items	<ul style="list-style-type: none"> <li>■ *NO: (default) Use file name when comparing member list name</li> <li>■ *YES: Ignore file name when comparing member list items</li> </ul>
IGNCRTDTE	Ignore creation dates when comparing list items (database file, member and object lists only)	<ul style="list-style-type: none"> <li>■ *YES: (default) Ignore creation dates</li> <li>■ *NO: Check that creation dates are the same when comparing list items</li> </ul>
IGNCHGDTE	Ignore change dates when comparing list items (database, member and object list only)	<ul style="list-style-type: none"> <li>■ *YES: (default) Ignore change dates</li> <li>■ *NO: Check that change dates are the same when comparing list items</li> </ul>

Parameter	Definition	Value and Description
IGNFMTID	Ignore format ids when comparing list items (format lists only)	<ul style="list-style-type: none"> <li>■ *YES: (default) Ignore format id</li> <li>■ *NO: Check that format ids are the same when comparing list items</li> </ul>

## YRMVLE (Remove Library List Entry)

This command removes a library from a library list.

### Syntax Diagram



## Parameters

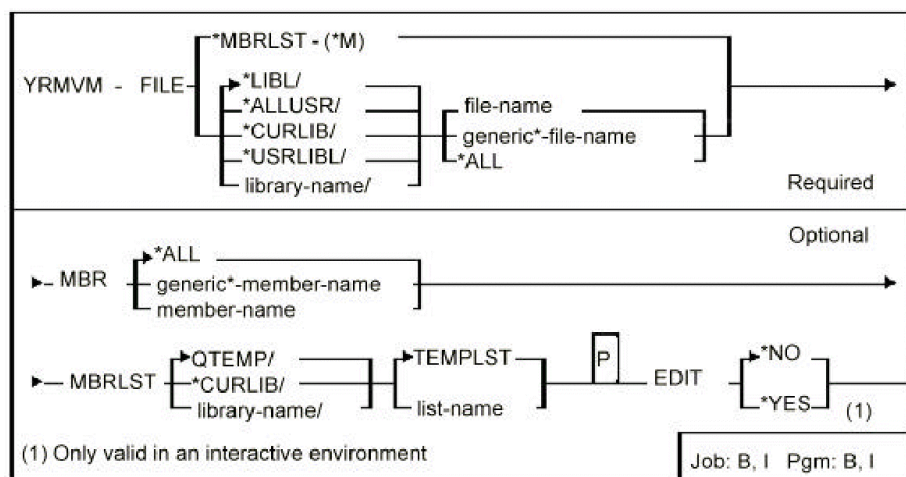
Parameter	Definition	Value and Description
LIB	Name of the removed library	<ul style="list-style-type: none"> <li>■ *CURLIB: Take the name of the library to be removed from the current library of the job running the YRMVLE command</li> <li>■ *NOEXIST: For all library lists specified on LIBLST parameter, check the existence of each library in the user portion; and remove the entry if the library does not exist. If RMVCURLIB(*YES) is also specified, then the current library (CURLIB) of each library list is also checked and replaced with *NOCHG if a nonexistent library name was specified</li> </ul>
LIBLST	Qualified generic name of library list(s) from which the library is removed	<ul style="list-style-type: none"> <li>■ *USER: (default) Library list name is same as that of the current user profile</li> <li>■ *JOB: Library list name is same as that of the current job</li> <li>■ *ALL: Remove library from all library lists in specified library</li> </ul>
RMVCURLIB	Remove current library entry from library list	<ul style="list-style-type: none"> <li>■ *YES: (default) If the library specified on the LIB parameter matches the current library (CURLIB) entry on the library list, remove the library name and replace it with *NOCHG</li> <li>■ *NO: Do not remove library list's current library entry</li> </ul>

Parameter	Definition	Value and Description
UPDJOB	Update library list's job description	<ul style="list-style-type: none"> <li>■ *YES: (default) Updates the initial library list of the job description entry on the library list with the modified list of libraries specified on the list</li> <li>■ *NO: Do not update job description</li> </ul>
LSTTYPE	Select library list type	<ul style="list-style-type: none"> <li>■ *ALL: (default) Select all library lists</li> </ul>

## YRMVM (Remove Member)

This command removes members from a file. The members to be removed can be specified by a generic name or by a member list.

### Syntax Diagram



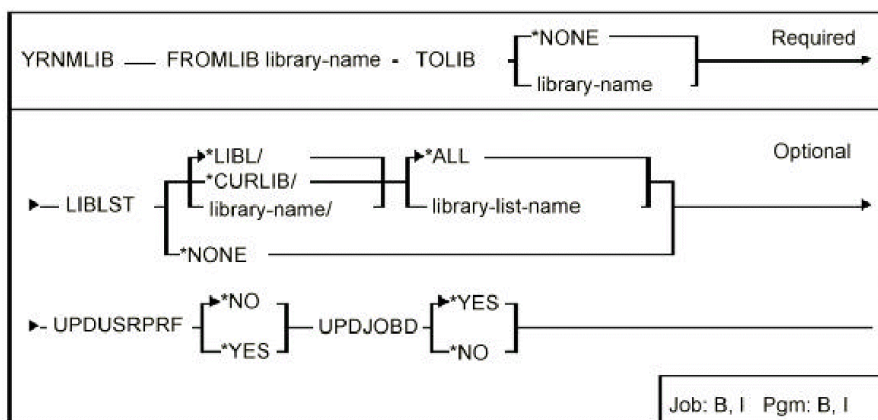
## Parameters

Parameter	Definition	Value and Description
FILE	Qualified generic name of file containing removed members	<ul style="list-style-type: none"> <li>■ *MBRLST: The names of removed members are specified by a member list whose name is given by the MBRLST parameter</li> <li>■ *ALL: Members are removed from all files in specified libraries</li> </ul>
MBR	Generic name of members which are removed	<ul style="list-style-type: none"> <li>■ *ALL: (default) All members are removed</li> </ul>
MBRLST	Qualified name of a member list specifying members that are to be removed	<ul style="list-style-type: none"> <li>■ QTEMP/TEMPLST: (default) Specify FILE(*MBRLST) to use an existing list</li> </ul>
EDIT	Edit list required	<ul style="list-style-type: none"> <li>■ *NO: (default) No editing required</li> <li>■ *YES: The edit member list function is invoked to edit the list before execution</li> </ul>

## YRNMLIB (Rename Library)

This command renames a library and updates all references to the library in the library lists. Any references to the library made by a user profiles can also be updated.

### Syntax Diagram







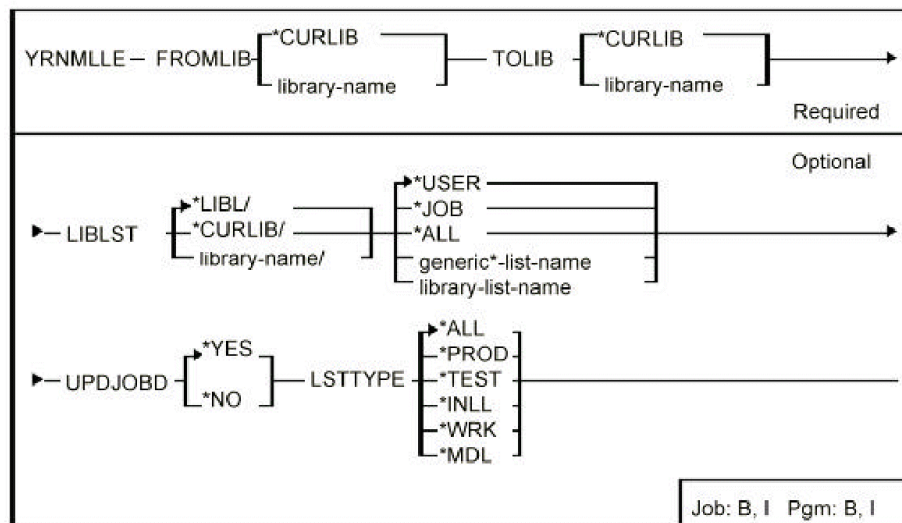
## Parameters

Parameter	Definition	Value and Description
LIBLST	Qualified name of library list to be renamed	
NEWLST	Name of new library list	
UPDUSRPRF	Update any reference to the library list in user profiles	<ul style="list-style-type: none"> <li>■ *NO: (default) Do not update user profiles</li> <li>■ *YES: Update user profiles</li> </ul>

## YRNMLE (Rename Library List Entry)

This command renames a library list entry in a list(s).

### Syntax Diagram



## Parameters

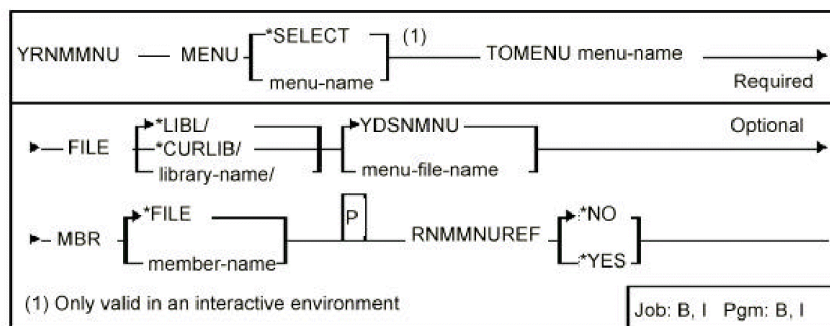
Parameter	Definition	Value and Description
FROMLIB	Name of library list entry to be renamed	<ul style="list-style-type: none"> <li>■ *CURLIB: (default) Rename job's current library</li> </ul>

Parameter	Definition	Value and Description
TOLIB	New name of library	<ul style="list-style-type: none"> <li>*CURLIB: (default) Rename library to job's current library</li> </ul>
LIBLST	Qualified generic name of library list(s) in which the library list entry is renamed	<ul style="list-style-type: none"> <li>*USER: (default) Library list name is same as that of the current user profile</li> <li>*JOB: Library list name is same as that of the current job</li> <li>*ALL: Rename library in all lists in specified library</li> </ul>
UPDJOB	Update library list's job description	<ul style="list-style-type: none"> <li>*YES: (default) Update the initial library list of the job description associated with the library list with the libraries specified in the list</li> <li>*NO: Do not update job description</li> </ul>
LSTTYPE	Select library list type	<ul style="list-style-type: none"> <li>*ALL: (default) Select all library lists</li> </ul>

## YRNMMNU (Rename Menu)

This command renames a menu.

### Syntax Diagram



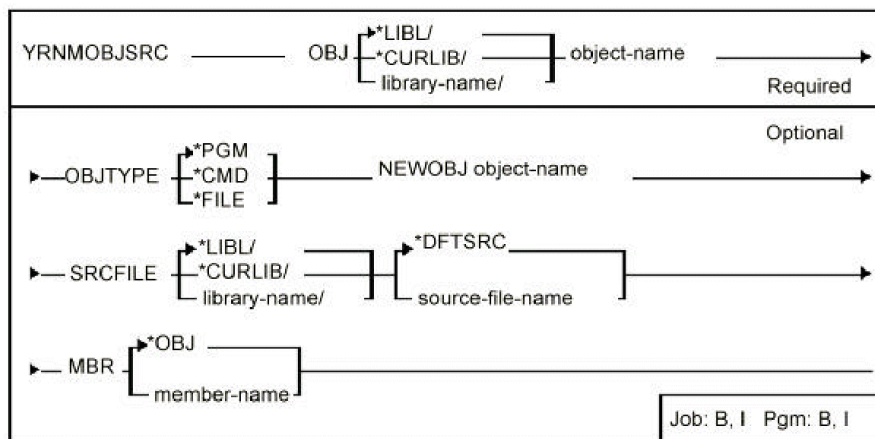
## Parameters

Parameter	Definition	Value and Description
MENU	Name of renamed menu	<ul style="list-style-type: none"> <li>■ *SELECT: (default) Provides a display of existing menu names, one of which may be selected</li> </ul>
TOMENU	New name of menu	<ul style="list-style-type: none"> <li>■</li> </ul>
FILE	Qualified name of file containing menus	<ul style="list-style-type: none"> <li>■ *LIBL/YDSNMNU:( default) Menu file name file must have been created with the YCRTDSNF command</li> </ul>
MBR	Name of member in file containing menus	<ul style="list-style-type: none"> <li>■ *FILE: (default) Member has same name as file</li> </ul>
RNMMNUREF	Rename references to menu by other menus	<ul style="list-style-type: none"> <li>■ *NO: (default) Do not update references to menu by other menus</li> <li>■ *YES: Update references to menu by MNU type options on other menus in the same menu file</li> </ul>

## YRNMObJSRC (Rename an Object and Source)

This command renames an object and its corresponding source member.

### Syntax Diagram



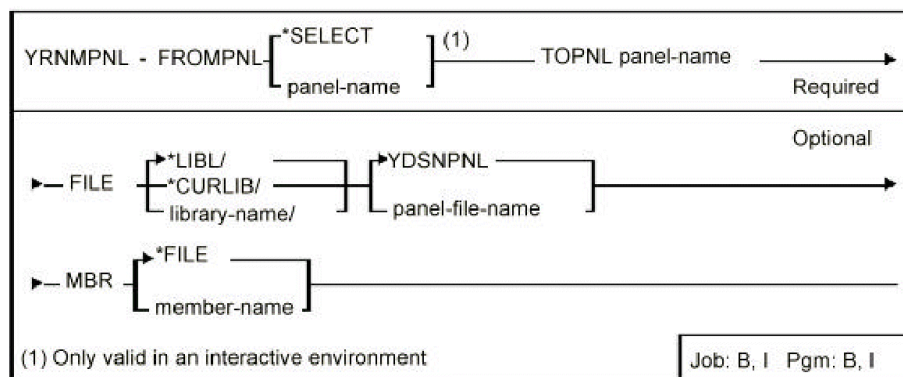
## Parameters

Parameter	Definition	Value and Description
OBJ	Qualified name of the renamed object	
OBJTYPE	Type of renamed object	<ul style="list-style-type: none"> <li>■ *PGM: (default) Program</li> <li>■ n *CMD: Command</li> <li>■ n *FILE: File</li> </ul>
NEWOBJ	New name of object and source member	
SRCFILE	Qualified name of file containing source member	<ul style="list-style-type: none"> <li>■ *DFTSRC: (default) Use source file appropriate to source type:</li> <li>■ If OBJTYPE(*CMD) is specified, use QCMSRC</li> <li>■ If OBJTYPE(FILE) is specified, use QDDSSRC</li> <li>■ If OBJTYPE(*PGM) is specified, first try QCLSRC, then QRPGRS</li> </ul>
MBR	Name of existing source member	<ul style="list-style-type: none"> <li>■ *OBJ: Same as object name</li> </ul>

## YRNMPNL (Rename Panel Design)

This command renames a panel design.

## Syntax Diagram



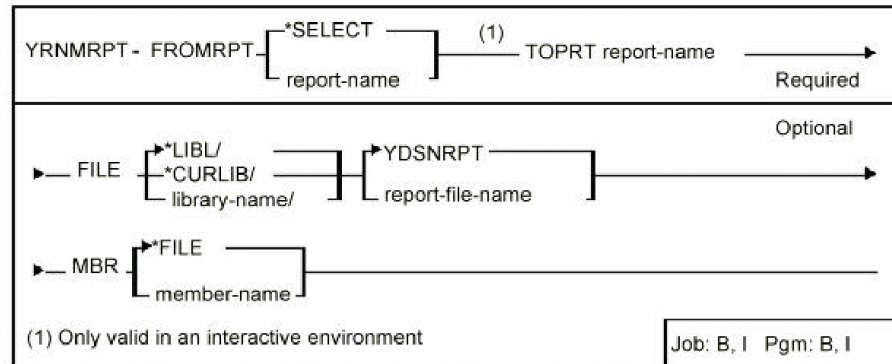
## Parameters

Parameter	Definition	Value and Description
FROMPNL	Name of a panel design which is renamed	<ul style="list-style-type: none"> <li>*SELECT: (default) The panel design selection display is presented</li> </ul>
TOPNL	New name for panel design	<ul style="list-style-type: none"> <li></li> </ul>
FILE	Qualified name of file containing panel design	<ul style="list-style-type: none"> <li>YDSNPNL: (default) Panel design file name</li> </ul>
MBR	Name of member in file containing panel design	<ul style="list-style-type: none"> <li>*FILE: (default) The member has the same name as the file</li> </ul>

## YRNMPT (Rename Report Design)

This command renames a report design.

## Syntax Diagram



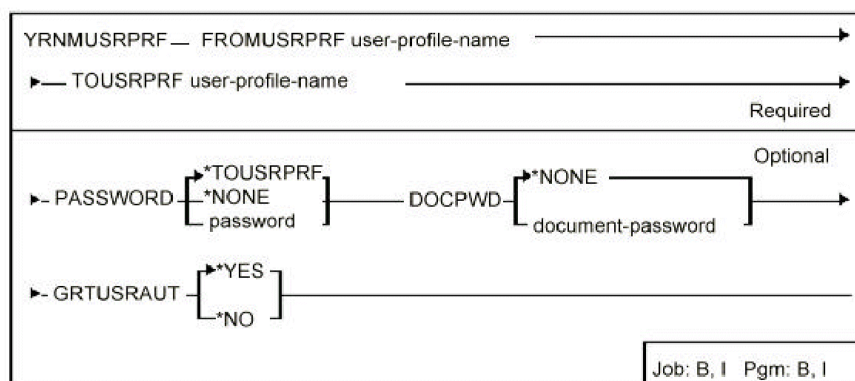
## Parameters

Parameter	Definition	Value and Description
FROMRPT	Name of a report design which is to be renamed	*SELECT: (default) The report selection display is presented
TORPT	New name for report design	
FILE	Qualified name of file containing report design	YDSNRPT: (default) Report file name File must have been created with the YCRTDSNF command1
MBR	Name of member in file containing report design	*FILE: (default) The member has the same name as the file

## YRNMUSRPRF (Rename User Profile)

This command renames a user profile. You should ensure that the profile is not enrolled in Office/400 before you execute this command. The command does not update references to the user profile on existing authorization lists. Any such references are lost.

## Syntax Diagram



## Parameters

Parameter	Definition	Value and Description
FROMUSRPRF	Name of user profile which is to be renamed	
TOUSRPRF	New name of user profile	
PASSWORD	User password. The password must be a valid name	<ul style="list-style-type: none"> <li>■ *TOUSRPRF: (default) Adopt the new profile name as the password</li> <li>■ *NONE: New profile has no password</li> </ul>
DOCPWD	Specifies a document password for DIA interchange	<ul style="list-style-type: none"> <li>■ *NONE: (default) No document password is used</li> </ul>
GRTUSRAUT	Specifies whether to grant the authorities of the original profile to the renamed profile	<ul style="list-style-type: none"> <li>■ *YES: (default) Grant the authorities of the original profile to the new profile</li> <li>■ *NO: Do not grant the authorities</li> </ul>



## YRSTSPLRTR (Restart Spooled File Router)

The Restart Spooled File Router (YRSTSPLRTR) command is used to reset a spooled file router job which is monitoring the specified data queue.

A spooled file router should be reset when the contents of the YSPLRTRP file have changed (due to spooled file routing entries having been added, changed or deleted). The reset process will update the running spooled file router job with the changed YSPLRTRP data, without ending the job.

See the command help for the Start spooled file router (YSTRSPLRTR) command for more information about the spooled file router job.

### Syntax Diagram

### Parameters

Parameter	Definition	Value and Description

#### Data queue (DTAQ)

Specifies the data queue currently being monitored.

Note: You must specify a data queue that is currently being monitored by a spooled file router job. Specifying a data queue that is not being monitored by a spooled file router job can result in serious errors within any programs using that data queue.

#### YSPLRTRQ

Use the default spooled router data queue YSPLRTRQ.

data-queue-name

Enter the name of an existing data queue which is being monitored by a spooled file router job.

Possible library values are:

\*LIBL

All libraries in the user and system portions of the job's library list are searched until the first match is found for the specified data queue.

\*CURLIB

The current library for the job is used to locate the specified data queue. If no library is specified as the current library for the job, the QGPL library is used.

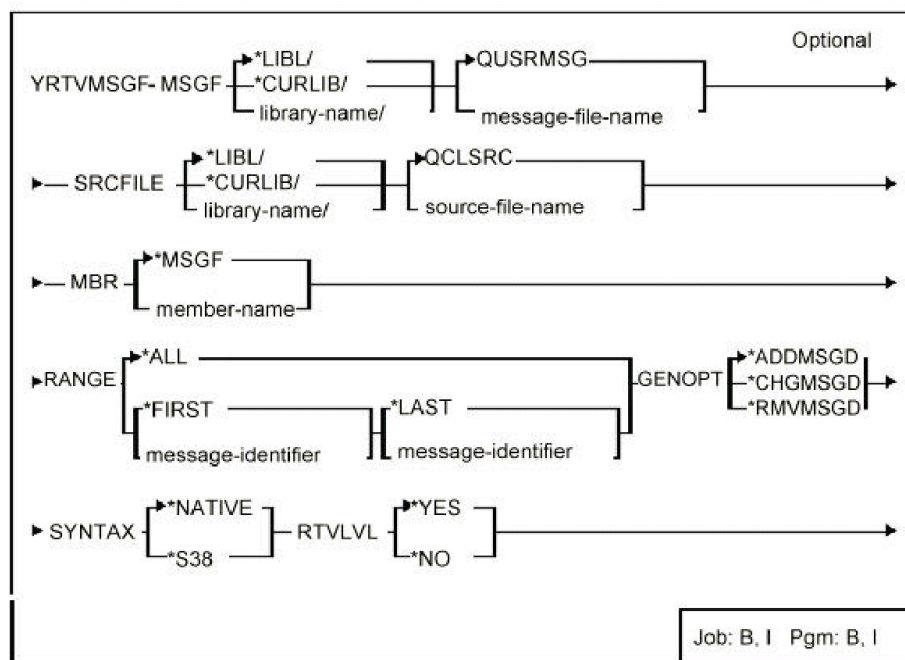
library-name

Specify the name of the library to be searched for the specified data queue.

## YRTVMSGF (Retrieve Message File)

This command retrieves the message descriptions or some of the message descriptions from a message file into a CL source member. The CL source member contains the CL instructions necessary to add, change, or remove messages (or a range of messages) from the message file specified on a subsequent call to the compiled program.

## Syntax Diagram



## Parameters

Parameter	Definition	Value and Description
MSGF	Qualified name of message files whose message descriptions are to be retrieved	<ul style="list-style-type: none"> <li>QUSRMSG: (default) Message file name</li> </ul>
SRCFILE	Qualified name of source file into which the CL source member is to be placed	<ul style="list-style-type: none"> <li>QCLSRC: (default) Source file name</li> </ul>
MBR	Member name of CL member containing message descriptions	<ul style="list-style-type: none"> <li>*MSGF:(default) Name is same as MSGF</li> </ul>

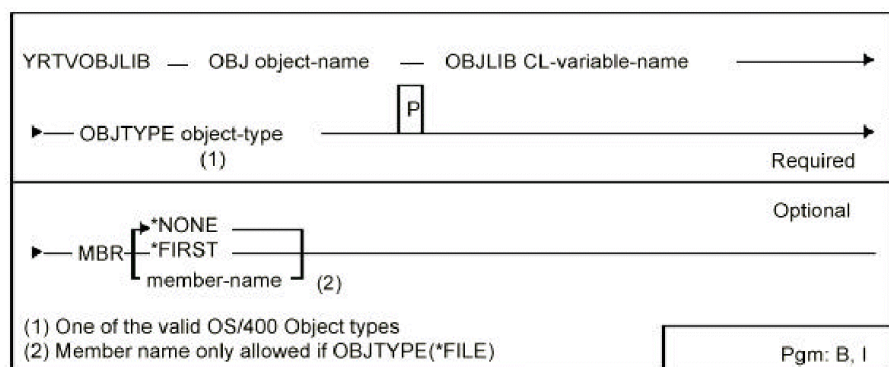
Parameter	Definition	Value and Description
RANGE	Specifies a range of message identifiers within the specified message file for which statements are to be processed	<ul style="list-style-type: none"> <li>■ *ALL: (default) Generate CL for all the messages</li> </ul> <p style="text-align: right;">Otherwise, RANGE is a list parameter made up of the following two elements:</p> <ul style="list-style-type: none"> <li>■ Starting message identifier: All message definitions with an identifier greater than or equal to this value will be retrieved.</li> </ul> <p style="text-align: right;">— *FIR ST: Start at the first message description in the file.</p> <ul style="list-style-type: none"> <li>■ Ending message identifier: All messages with an identifier less than or equal to this value are retrieved.</li> </ul> <p style="text-align: right;">— *LA ST: Continue until</p>

Parameter	Definition	Value and Description
GENOPT	Generation option: specifies whether the CL generation should be to add, change or remove the message descriptions	<ul style="list-style-type: none"> <li>■ *ADDMSGD: (default) Generate CL statements to add the message descriptions to the named message file</li> <li>■ *CHGMSGD: Generate CL statements to change the message descriptions in the named message file</li> <li>■ *RMVMSGD: Generate CL statements to remove the message descriptions from the named message file</li> </ul>
SYNTAX	Specifies the syntax of the CL program generated	<ul style="list-style-type: none"> <li>■ *NATIVE: (default) Generate i OS Native CL.</li> <li>■ *S38: Generate S38 CL</li> </ul>
RTVLVL	Specifies whether to retrieve and include Creating level information (applicable to ADDMSGD only)	<ul style="list-style-type: none"> <li>■ *YES: (default) Retrieve level</li> <li>■ *NO: Do not retrieve level</li> </ul>

## YRTVOBJLIB (Retrieve Object Library)

This command checks current job's library list for a given object and, if it is found, returns the name of the first library containing the object.

### Syntax Diagram



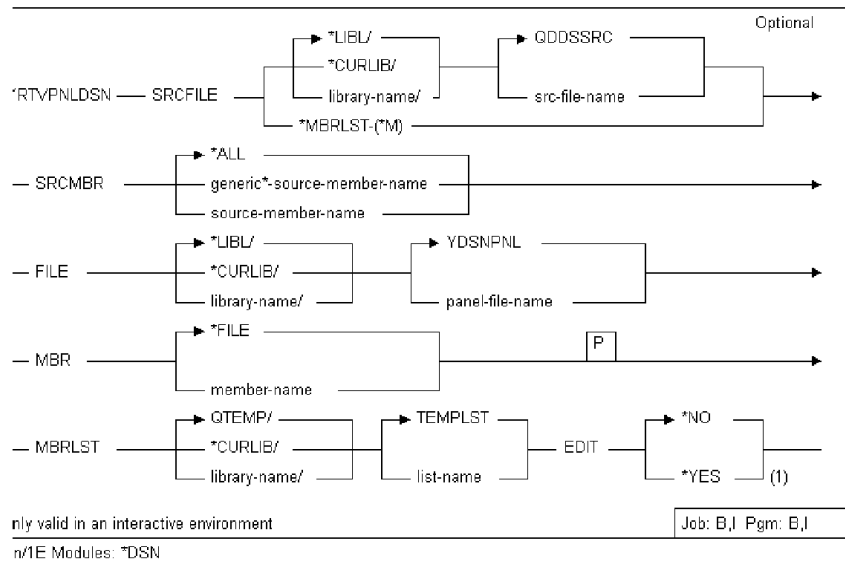
## Parameters

Parameter	Definition	Value and Description
OBJ	Name of object whose library is to be retrieved	
OBJLIB	CL variable that is to receive the name of the library containing the object	<ul style="list-style-type: none"> <li>■ If the variable has an initial value of *LIBL or blank, then the whole of the library list is searched</li> <li>■ If the variable has an initial value of *SYSLIBL then only the system part of the library list is searched</li> <li>■ If the variable has an initial value of *USRLIBL then only the user part of the library list will be searched</li> <li>■ If the variable has an initial value of *QSYSLIBL then the library list given by the system value QSYSLIBL is searched</li> </ul>
OBJTYPE	Object type of object whose library is to be retrieved	Must be one of the valid i OS object types as allowed for the i OS command Check Object (CHKOBJ)
MBR	File member's name. If a member is specified, the YRTVOBJLIB command checks for a file containing the specified member	<ul style="list-style-type: none"> <li>■ *NONE: (default) Do not check for a member.</li> <li>■ *FIRST: Check the existence of at least one member</li> </ul>

## YRTVPLDSN (Retrieve Panel Design)

This command retrieves a panel design from the DDS source for an external display file or files. The command Define Panel Design (YDFNPPLDSN) can be used in conjunction with this command to define how individual formats are combined into a panel design.

## Syntax Diagram



## Parameters

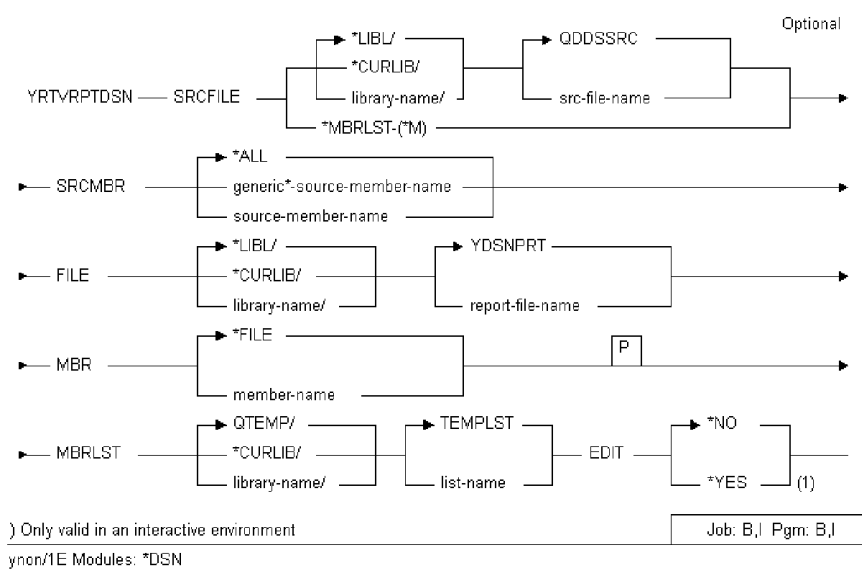
Parameter	Definition	Value and Description
SRCFILE	Qualified name of source file containing DDS source members for externally described display files which are to be retrieved into panel designs	<ul style="list-style-type: none"> <li>■ QDDSSRC: (default) DDS source file name</li> <li>■ *MBRLST: locate source members to be compiled by the member list specified by the MBRLST parameter</li> </ul>
SRCMBR	Generic name of source members to be retrieved	<ul style="list-style-type: none"> <li>■ *ALL: All members of type DSPF in the specified source file will be retrieved</li> </ul>
FILE	Qualified name of file to contain panel designs	<ul style="list-style-type: none"> <li>■ YDSNPNL: (default) Panel file name</li> </ul>
MBR	Name of member in file to contain panel designs	<ul style="list-style-type: none"> <li>■ *FILE: (default) The member has the same name as the file</li> </ul>
MBRLST	Qualified name of a member list	<ul style="list-style-type: none"> <li>■ QTEMP/TEMPLST: (default) List name</li> </ul>

Parameter	Definition	Value and Description
EDIT	Edit list option	<ul style="list-style-type: none"> <li>■ *NO: List edit function is not invoked</li> <li>■ *YES: invoke the list edit function before proceeding with panel design retrieval</li> </ul>

## YRTVRPTDSN (Retrieve Report Design)

This command retrieves a report design from the DDS source for an external print file or files.

### Syntax Diagram





## Parameters

Parameter	Definition	Value and Description
SRCFILE	Qualified name of source file containing DDS source for external print file which is to be retrieved to form report designs	<ul style="list-style-type: none"> <li>■ QDDSSRC: (default) DDS source file name</li> <li>■ *MBRLST: Locate source members to be compiled by the member list specified by the MBRLST parameter</li> </ul>
SRCMBR	Generic name of source members to be retrieved	<ul style="list-style-type: none"> <li>■ *ALL: (default) All members in the specified source file are retrieved</li> </ul>
FILE	Qualified name of file to contain report designs	<ul style="list-style-type: none"> <li>■ YDSNRPT: (default) Report file name</li> </ul>
MBR	Name of member in file to contain report designs	<ul style="list-style-type: none"> <li>■ *FILE: (default) The member has the same name as the file</li> </ul>
MBRLST	Qualified name of a member list	<ul style="list-style-type: none"> <li>■ QTEMP/TEMPLST: (default) List name</li> </ul>
EDIT	Edit list option	<ul style="list-style-type: none"> <li>■ *NO: (default) List edit function will not be invoked</li> <li>■ *YES: Invoke the list edit function before proceeding with report design retrieval</li> </ul>

## YRTVSPLFA (Retrieve Spooled File Attributes)

The Retrieve Spooled File Attributes (YRTVSPLFA) command is used in a CL program to retrieve the values of one or more spooled file attributes for a specified spooled file and place the values into the specified CL variable.

The CL prompt for this command lists the minimum length for retrieved variables next to the appropriate parameters. For character variables, a single number is shown. For decimal variables, two numbers are shown. The first number indicates the minimum variable length and the second number indicates the minimum number of decimal positions.

## Parameters

Parameter	Definition	Value and Description
FILE	This is a required parameter. Specifies the name of the spooled file whose attributes are being retrieved.	<ul style="list-style-type: none"><li>■ Job name (JOB): Specifies the name of the job that created the spooled file.</li><li>■ *: The job that created the spooled file issued this command.</li><li>■ job-name: Specify the name of the job that contains the spooled file.</li><li>■ user-name: Specify the user name that identifies the user profile under which the job is run.</li><li>■ job-number: Specify the system-assigned job number.</li></ul>
SPLNBR	Specifies the unique number of the spooled file in the job whose attributes are being retrieved.	<ul style="list-style-type: none"><li>■ *ONLY: Only one spooled file in the job has the specified file name; therefore, the number of the spooled file is not necessary.</li><li>■ *LAST: If there is more than one spooled file with the specified file name the one with the highest number is the file whose attributes are retrieved.</li><li>■ spooled-file-number: Specify the number of the spooled file that matches the file name whose attributes you wish to retrieve.</li></ul>

## YRTVUSRPF (Retrieve User Profile)

This command retrieves user profile attributes for a specified user profile.



Parameter	Definition	Value and Description
LIBLSTLIB	CL variable that receives the name of the library containing the library list for the profile	<ul style="list-style-type: none"> <li>■ Character variable ten bytes long</li> </ul>
MENU	CL variable that receives the name of the initial menu for the profile	<ul style="list-style-type: none"> <li>■ Character variable ten bytes long</li> </ul>
MENUOPT	CL variable that receives the name of the initial menu option for the profile	<ul style="list-style-type: none"> <li>■ Character variable two bytes long</li> </ul>
MENUFILE	CL variable that receives the name of the menu file containing the initial menu for the profile	<ul style="list-style-type: none"> <li>■ Character variable ten bytes long</li> </ul>
FILELIB	CL variable that receives the name of the library containing the initial menu for the profile	<ul style="list-style-type: none"> <li>■ Character variable ten bytes long</li> </ul>
MENUMBR	CL variable that receives the name of the member containing the initial menu for the profile	<ul style="list-style-type: none"> <li>■ Character variable ten bytes long</li> </ul>
ALWMNUENT	CL variable that receives the current menu entry value for the profile	<ul style="list-style-type: none"> <li>■ Character variable four bytes long</li> <li>■ *NO: The user is not permitted to enter menu names from his menu, but is restricted to the displayed menu options</li> <li>■ *YES: The user may enter menu names to transfer directly to a named menu</li> </ul>
ALWCMDENT	CL variable that receives the current command entry value for the profile	<ul style="list-style-type: none"> <li>■ Character variable four bytes long</li> <li>■ *NO: (default) The user is not permitted to enter commands. The user is restricted to the displayed menu options</li> <li>■ *YES: The user may enter and execute commands directly from a menu</li> </ul>

Parameter	Definition	Value and Description
CHKMNUAUT	CL variable that receives the current menu option check value	<ul style="list-style-type: none"> <li>■ Character variable seven bytes long</li> </ul>
DTAAUT	CL variable that receives the current data authority level value for the profile	<ul style="list-style-type: none"> <li>■ Character variable one byte long</li> <li>■ 1 to 9: (1-high, 9-low)</li> </ul>
SBMJJOB	CL variable that receives the current job description name to be used by the program Go to Menu (YGO) when submitting jobs for the profile	<ul style="list-style-type: none"> <li>■ Character variable ten bytes long</li> </ul>
SBMJJOB LIB	CL variable that receives the current name of the job description used by the program Go to Menu program (YGO) when submitting jobs for the profile	<ul style="list-style-type: none"> <li>■ Character variable ten bytes long</li> </ul>
LOGOFF	CL variable that receives the current LOGOFF option value for the profile	<ul style="list-style-type: none"> <li>■ Character variable seven bytes long.</li> <li>■ *NOLIST: (default) No job log is to be created</li> <li>■ *LIST: A job log is to be created</li> </ul>
HOLD	CL variable that receives the current status of the user profile	<ul style="list-style-type: none"> <li>■ Character variable four bytes long.</li> <li>■ *YES: (default) The user is prevented from signing on</li> <li>■ *NO: The user may sign on</li> </ul>
EXCPMSGQ	CL variable that receives the name of the exception message queue to be used by the program Go to Menu (YGO) when errors occur	<ul style="list-style-type: none"> <li>■ Character variable ten bytes long</li> </ul>
EXCPMSGQLB	CL variable that receives the name of the library containing the exception message queue	<ul style="list-style-type: none"> <li>■ Character variable ten bytes long</li> </ul>
PWDEXPDAT	CL variable that receives the value of the password expiry date	<ul style="list-style-type: none"> <li>■ Character variable six bytes long</li> </ul>

Parameter	Definition	Value and Description
PWDEXPDAYS	CL variable that receives the number of days between password changes	<ul style="list-style-type: none"> <li>Decimal variable three digits packed</li> </ul>
PWDEXPOPT	CL variable that receives the value of the password expiry option	<ul style="list-style-type: none"> <li>Character variable ten bytes long</li> </ul>
PWDEXPDAYS	CL variable that is to receive the number of days after a password has expired which the user may change it	<ul style="list-style-type: none"> <li>Decimal variable three digits packed</li> </ul>

## YRUNSQL (Start Interactive SQL Session)

This command is used to execute an ad hoc SQL statement from a command line or CL program, irrespective of whether or not interactive SQL is installed on the IBM i. In addition, if interactive SQL is installed on the IBM i, you can start an interactive SQL session.

The user can override an unqualified file used in the SQL statement or the interactive SQL session to a specific member in the file in a specific library.

### Parameters

Parameter	Definition	Value and Description
STMT	Specifies the SQL statement to be processed. This can be any SQL statement that is valid in an interactive SQL session, such as a SELECT or an UPDATE statement	<ul style="list-style-type: none"> <li>*STRSQL: Starts an interactive SQL session, using the default values specified for the Start SQL Interactive Session (STRSQL) command.</li> </ul> <p>– sql-state ment: Specifies a valid SQL statemen t to be processed .</p>

Parameter	Definition	Value and Description
IGNCAS	Specifies whether the statement should be treated as case-insensitive.	<ul style="list-style-type: none"><li>■ *NO: Considers case-sensitivity.</li><li>■ *YES Ignores case-sensitivity.</li></ul>

Parameter	Definition	Value and Description
FILE		<p>S</p> <p>p</p> <p>e</p> <p>c</p> <p>i</p> <p>f</p> <p>i</p> <p>e</p> <p>s</p> <p>t</p> <p>h</p> <p>e</p> <p>f</p> <p>i</p> <p>l</p> <p>e</p> <p>t</p> <p>o</p> <p>b</p> <p>e</p> <p>o</p> <p>v</p> <p>e</p> <p>r</p> <p>r</p> <p>i</p> <p>d</p> <p>d</p> <p>e</p> <p>.</p> <p>T</p> <p>h</p> <p>i</p> <p>s</p> <p>s</p> <p>h</p> <p>o</p> <p>u</p> <p>l</p> <p>d</p> <p>b</p> <p>e</p> <p>a</p> <p>f</p> <p>i</p> <p>l</p> <p>e</p> <p>u</p> <p>s</p> <p>e</p> <p>d</p> <p>i</p> <p>n</p> <p>t</p> <p>h</p> <p>e</p> <p>S</p> <p>C</p> <ul style="list-style-type: none"> <li>■ *NONE: Specifies that no file is overridden. If the SQL statement (or a statement used in the interactive SQL session) refers to an unqualified file, the copy of the file highest in the library list is used.</li> <li>■ file-name: Specifies a file that will be used to override the same-named unqualified file in the SQL statement.</li> </ul> <p>The name of the file can be qualified by one of the following library-values:</p> <ul style="list-style-type: none"> <li>■ *LIBL: Searches all libraries in the job's library list until the first match is found.</li> <li>■ *CURLIB: Searches the current library for the job. If no library is specified as the current library for the job, the QGPL library is used.</li> <li>■ library-name: Specifies the name of the library to be searched.</li> </ul>



---

Parameter	Definition	Value and Description
MBR	Specifies the file member to be overridden to. This parameter is ignored if FILE (*NONE) is specified.	<ul style="list-style-type: none"><li>■ *FIRST Specifies the file in the FILE parameter is overridden to use the *FIRST member.</li><li>■ member-name Specifies the file in the FILE parameter is overridden to use the specified member.</li></ul>
OUTPUT	Specifies whether the output from the command is shown at the requesting work station, printed with the job's spooled output, or directed to a database file.	<ul style="list-style-type: none"><li>■ *: Indicates the output produced by the query is formatted and, in interactive mode, sent to the work station that runs the command. If the command is run in batch mode, the output is sent to the default printer used by query management.</li><li>■ *PRINT: Indicates the output produced by the query is formatted and sent to the default printer used by query management.</li><li>■ *OUTFILE: Indicates the output produced by the query is written to the database file specified in the Output File prompt (OUTFILE parameter).</li></ul>

---

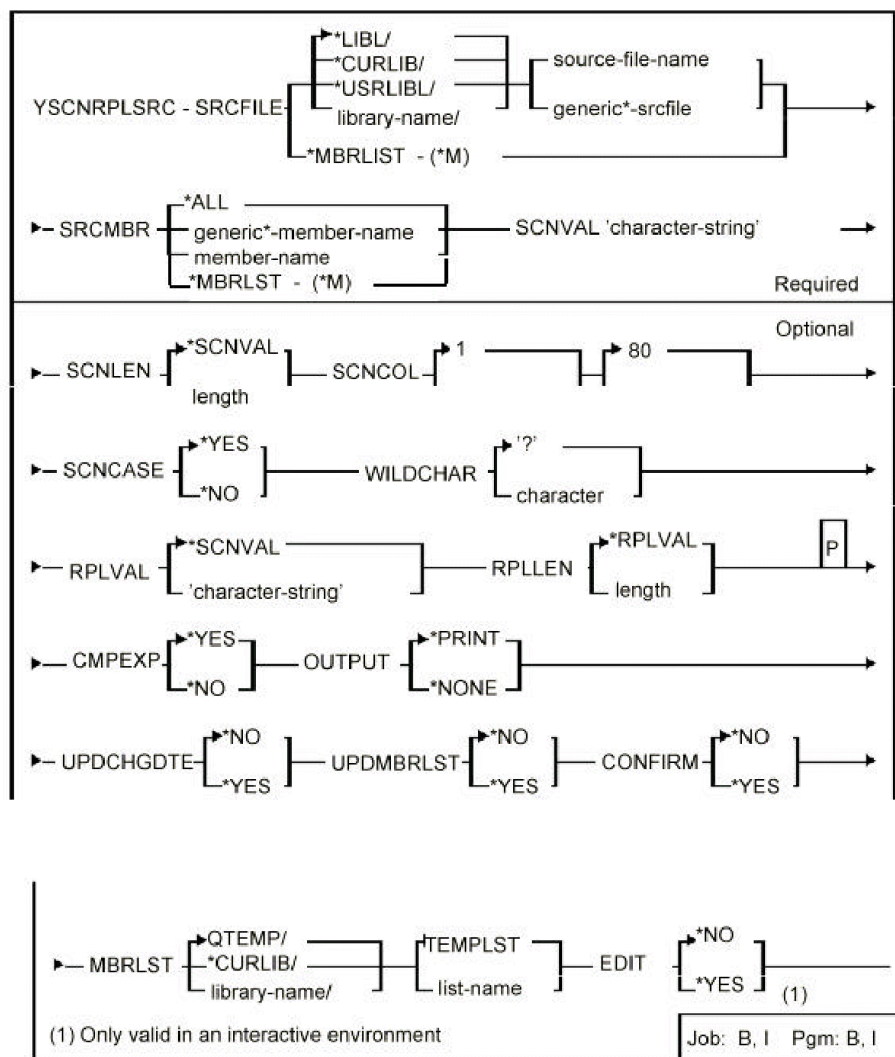
Parameter	Definition	Value and Description
OUTFILE	<p>Specifies the database file to receive the query output. If the file specified does not exist, the system creates it in the specified library as a table in a collection. If the file is created by this function, the authority for users without specific authority is *EXCLUDE.</p>	<ul style="list-style-type: none"> <li data-bbox="1032 321 1432 453">■ database-file-name: Specifies the name of the database file that receives the output of the command.</li>   <div style="text-align: right; margin-right: 20px;"> <p data-bbox="1317 489 1432 804">The name of the database file can be qualified by one of the following library values:</p> </div> <li data-bbox="1032 831 1432 919">■ *LIBL: Searches all libraries in the job's library list until the first match is found.</li> <li data-bbox="1032 947 1432 1098">■ *CURLIB: Searches the current library for the job. If no library is specified as the current library for the job, the QGPL library is used.</li> <li data-bbox="1032 1125 1432 1209">■ library-name: Specifies the name of the library to be searched.</li> </ul>

Parameter	Definition	Value and Description
OUTMBR	Specifies the name of the database file member to which the output is directed.	<ul style="list-style-type: none"> <li>■ *FIRST: Indicates that the first member in the file receives the output. If no members exist in the file, the system creates a member with the name of the file specified in the Output File prompt (OUTFILE parameter).</li> <li>■ member-name: Specifies the name of the file member that receives the output. If the name does not exist, the system creates it.</li> </ul> <p style="text-align: right;">The possible actions to take values are:</p> <ul style="list-style-type: none"> <li>■ *REPLACE: Clears the file before new records are inserted.</li> <li>■ *ADD: Adds new records after any existing record.</li> </ul>

## YSCNRPLSRC (Scan/Replace Source Member)

This command scans a list of source file members searching for instances of a specified combination of characters. The list can be specified by a generic name or by the member list function. On finding an instance of the search character string, replaces it with another specified character string. The search and replacement strings may, optionally, be displayed for confirmation before replacement CONFIRM parameter.

## Syntax Diagram



## Parameters

Parameter	Definition	Value and Description
SRCFILE	Qualified generic name of source file or files which are to be scan/replaced	<ul style="list-style-type: none"> <li>*MBRLST: (default) Use the named member list to obtain source member names</li> </ul>
SRCMBR	Generic name of source members to scan/replace	<ul style="list-style-type: none"> <li>*ALL: (default) Search all source members in specified file or files</li> </ul>

Parameter	Definition	Value and Description
SCNVAL	Search mask: Characters that are replaced	<ul style="list-style-type: none"> <li>■ String of up to 80 characters. Strings that contain embedded blanks or lower case characters should be enclosed in quotes</li> </ul>
SCNLEN	Length of search mask	<ul style="list-style-type: none"> <li>■ *SCNVAL: (default) Use search mask up to last non-blank character</li> <li>■ 1-80: Use specified length</li> </ul>
SCNCOL	Column range in source that is to be scanned for the search mask. Made up of two values	<ul style="list-style-type: none"> <li>■ Starting column in source line for search</li> <li>■ – 1: (default) Value</li> <li>■ – 1-240: Column number at which to start scanning</li> <li>■ Ending column source line for search</li> <li>■ – 80: (default) Value</li> <li>■ – 1-240: Column number at which to stop scanning (must be greater than or equal to start column number)</li> </ul>
SCNCASE	Case-sensitive option on search	<ul style="list-style-type: none"> <li>■ *YES: (default) Treat upper and lower case characters as different for comparison purposes when searching for occurrences of the specified string</li> <li>■ *NO: Ignore differences between upper and lower case for comparison purposes</li> </ul>
WILDCHAR	Character to be used as a "dummy" in any search mask; any character counts as a match during the search	<ul style="list-style-type: none"> <li>■ '?': (default) Value</li> </ul>

Parameter	Definition	Value and Description
RPLVAL	Replacement string of characters that is to replace the character string specified by the SCNVAL parameter	<ul style="list-style-type: none"> <li>■ *SCNVAL: (default) Replacement string is same as scan string</li> <li>■ Character string up to 80 characters long. If the string contains embedded blanks or lower case characters, it should be enclosed in quotes</li> </ul>
RPLLEN	Length of replacement string	<ul style="list-style-type: none"> <li>■ *RPLVAL: (default) Use replacement string up to last non-blank character</li> <li>■ 1-80: Use specified length</li> </ul>
CMPEXP	Compress or expand line	<ul style="list-style-type: none"> <li>■ *YES: (default) If replace length is different from scan length, justify line to omit/or insert blanks. If there is insufficient space, line is not adjusted</li> <li>■ *NO: Do not justify line. If replacement length is shorter than scan length, blanks will be inserted. If it is longer, it is shortened</li> </ul>
OUTPUT	Print option	<ul style="list-style-type: none"> <li>■ *PRINT: (default) Print a report of lines changed</li> <li>■ *NONE: Do not print report</li> </ul>
UPDCHGDTE	Update source change dates.	<ul style="list-style-type: none"> <li>■ *NO: (default) Do not update the source change dates</li> <li>■ *YES: Update the source change date for each line amended</li> </ul>
UPDMBRLST	Update member list option.	<ul style="list-style-type: none"> <li>■ *NO: (default) Do not update the member list</li> <li>■ *YES: Delete all members in the list for which no lines satisfy the search</li> </ul>
CONFIRM	Prompt for confirmation	<ul style="list-style-type: none"> <li>■ *NO: (default) No confirmation is required</li> <li>■ *YES: Prompt for confirmation of each replacement of the search string</li> </ul>

---

Parameter	Definition	Value and Description
MBRLST	Qualified name of a member list	■ QTEMP/TEMPLST: (default) List name
EDIT	List option	■ *NO: (default) No editing is required ■ *YES: Invoke the edit member list function to edit the list before executing the scan

---

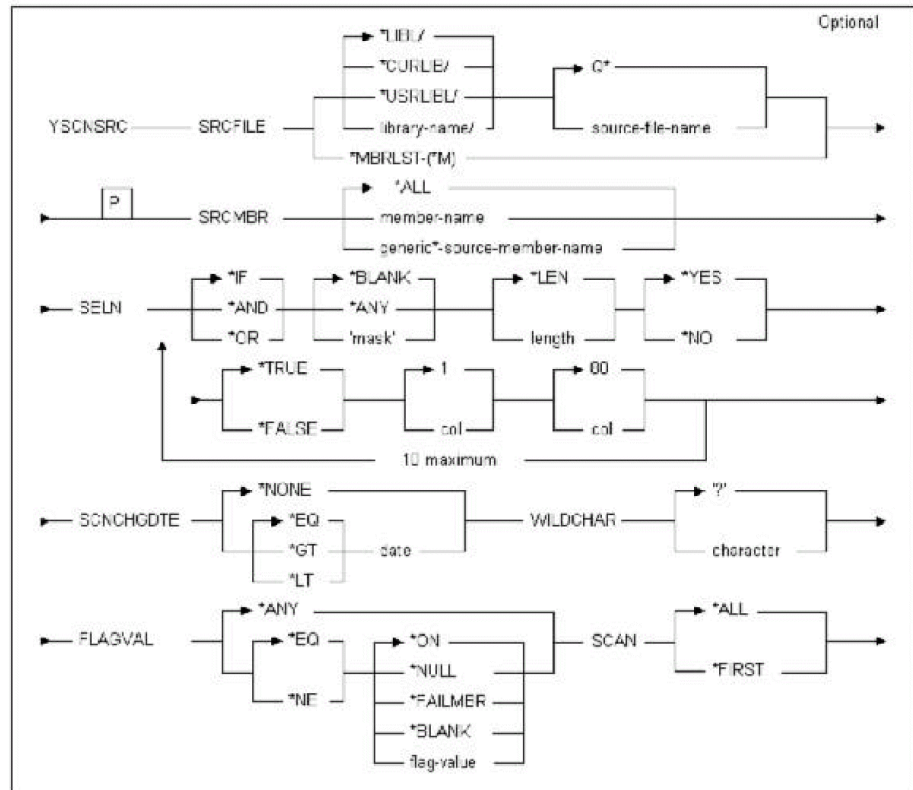
## YSCNSRC (Scan Source Member)

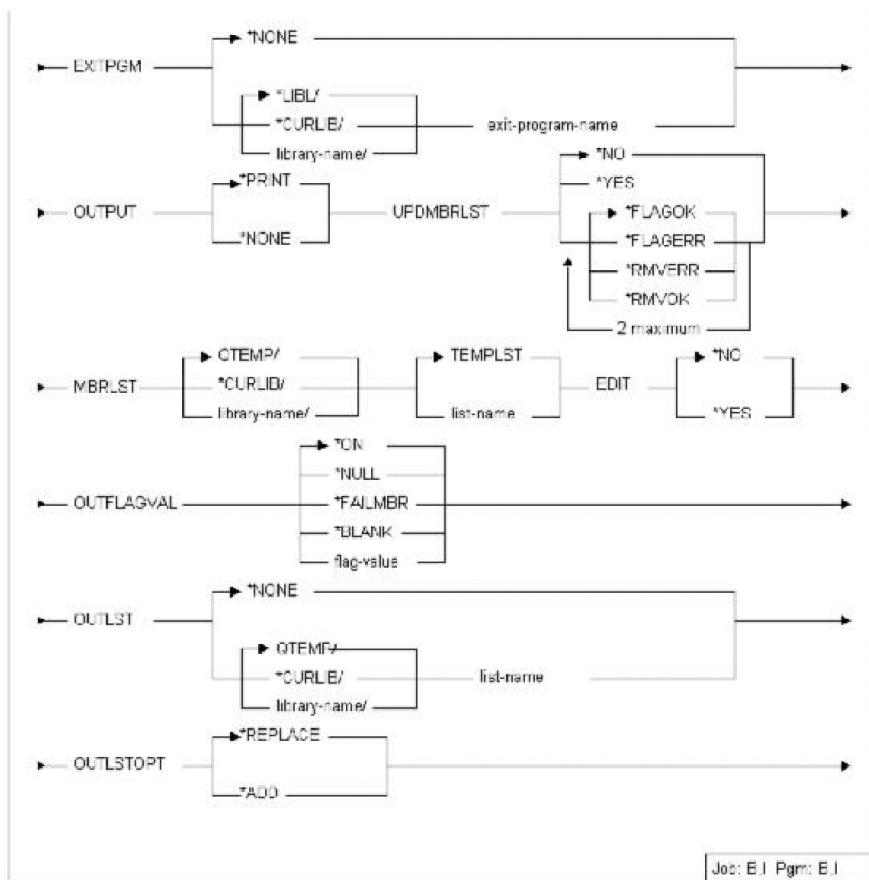
This command scans a list of source file members searching for specified combinations of characters. The list can be specified by a generic name or by the member list function. Produces a report, and/or maintains a member list (input or output), of those members that contain source lines satisfying the search conditions. Source selection can further be controlled by means of a user-written exit program.

## Syntax Diagram

This diagram appears on the following page.







## Parameters

Parameter	Definition	Value and Description
SRCFILE	Qualified generic name of source file or files which are to be scanned	<ul style="list-style-type: none"> <li>■ *LIBL/Q*: (default) Value</li> <li>■ *MBRLST: Use the named member list to obtain source member names</li> </ul>
SRCMBR	Generic name of source members to scan	<ul style="list-style-type: none"> <li>■ *ALL: (default) Search all source members</li> </ul>

Parameter	Definition	Value and Description
SELN	A list of up to ten search elements. Each element in the list is made up of the following seven fields	<ul style="list-style-type: none"> <li>■ The logical operation for combining this element with other elements.</li> <li>■ *IF: (default) Only valid for the first element</li> <li>■ *AND: This element combines with the previous element(s) in an *OR group</li> <li>■ *OR: This element starts a new *OR group</li> <li>■ Search mask: Up to 21 characters. Can contain any character. Lower case characters should be enclosed in quotes, for example, 'qtxt'. The mask may contain the wild card character specified by the WILDCHAR parameter.</li> <li>■ *BLANK: (default) Scan for blank characters</li> <li>■ *ANY: All source records are selected. This option normally is used in combination with the SCNCHGDTE parameter</li> <li>■ Length of search mask</li> <li>■ *LEN: (default) Use search mask up to last non-blank</li> <li>■ 1-21: Use specified length</li> <li>■ Case-Sensitive option</li> <li>■ *YES: (default) Treat upper and lower case characters as different for comparison purposes</li> <li>■ *NO: Ignore differences between upper and lower case for comparison purposes. Thus a search mask value of 'a' is matched with both a and A</li> </ul>

Parameter	Definition	Value and Description
		<ul style="list-style-type: none"> <li>■ True/False option</li> <li>■ *TRUE: Search mask must be in the line</li> <li>■ *FALSE: Search mask must NOT be in the line</li> <li>■ Starting column at which to begin search</li> <li>■ 1: (default) Value</li> <li>■ 1-80: Start scanning at this column</li> <li>■ Ending column for search.</li> <li>■ 80: (default) value.</li> <li>■ 1-80: stop scanning at this column</li> </ul>
SCNCHGDTE	Source change date for which to scan. Only records which meet the specified date criteria (in addition to any search criteria specified by the SELN parameter) is selected	<ul style="list-style-type: none"> <li>■ *NONE: (default) Do not scan for source change dates</li> <li>■ Otherwise, SCNCHGDTE is a list parameter made up of the following two elements: <ul style="list-style-type: none"> <li>■ Relational operator for selection of changed source records <ul style="list-style-type: none"> <li>■ – *EQ: (default) Scan records which were changed on a specified date</li> <li>■ – *GT: Scan records which were changed after a specified date</li> <li>■ – *LT: Scan records which were changed before a specified date</li> <li>■ – Source change date for which to scan in QDATFMT format</li> </ul> </li> </ul> </li> </ul>
WILDCHAR	Character used as a dummy in any search mask; will match any character during the scan	<ul style="list-style-type: none"> <li>■ '?': (default) value</li> </ul>

Parameter	Definition	Value and Description
FLAGVAL	Flag value of list items to be processed	<ul style="list-style-type: none"> <li>■ *ANY: (default) Scan all items in list</li> <li>■ Otherwise, FLAGVAL is a list parameter which is used to determine whether the list item will be scanned. It is made up of the following two elements: <ul style="list-style-type: none"> <li>■ Relational operator for selection of flags <ul style="list-style-type: none"> <li>■ – *EQ: (default) Equal to</li> <li>■ – *NE: Not equal to</li> </ul> </li> <li>■ Flag value <ul style="list-style-type: none"> <li>■ – Single character flag value or one of the special flag values</li> </ul> </li> </ul> </li> </ul>
SCAN	Scan stop option: denotes whether to stop scanning a specific member after finding a line which satisfies the search conditions	<ul style="list-style-type: none"> <li>■ *ALL: (default) Scan and print all lines</li> <li>■ *FIRST: Stop after finding one instance of the search string in the member</li> </ul>
EXITPGM	Qualified name of exit program to be called for user- defined override of match selection	<ul style="list-style-type: none"> <li>■ *NONE: Do not call an exit program</li> </ul>
OUTPUT	Print option	<ul style="list-style-type: none"> <li>■ *PRINT: (default) Print a report of lines found</li> <li>■ *NONE: Do not print a report</li> </ul>

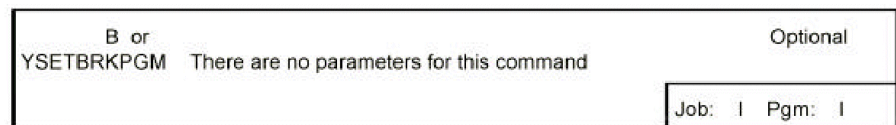
Parameter	Definition	Value and Description
UPDMBRLST	Update member list option	<ul style="list-style-type: none"> <li>■ *NO: (default) Do not update the member list</li> <li>■ *YES: Update the member list by removing members which do not contain the search string. This is equivalent to *RMVERR.</li> <li>■ Or up to two of the following values:</li> <li>■ *FLAGERR: (default) If a member does not contain the specified search string, then its list entry is to be flagged with the value specified by the OUTFLAGVAL.</li> <li>■ *FLAGOK: If a member does contain the specified search string, then its list entry is to be flagged with the value specified by the OUTFLAGVAL</li> <li>■ *RMVERR: If a member does not contain the specified search string, then its list entry is to be removed from the list (equivalent to *YES)</li> <li>■ *RMVOK: If the member does contain the specified search string, then its list entry is to be removed from the list</li> <li>■ If more than one value is specified, *RMVERR + *FLAGOK and *RMVOK + *FLAGERR are the only valid combinations</li> </ul>
MBRLST	Qualified name of a member list	<ul style="list-style-type: none"> <li>■ QTEMP/TEMPLST: (default) List name</li> </ul>
EDIT	List edit option	<ul style="list-style-type: none"> <li>■ *NO:(default) No editing is required</li> <li>■ *YES: Invoke the edit member list function to edit the list before executing the scan</li> </ul>

Parameter	Definition	Value and Description
OUTFLAGVAL	Flag value to be given to selected items in resulting list if UPDMBRLST is *FLAGOK or *FLAGERR	<ul style="list-style-type: none"> <li>Single character flag value or one of the special flag values</li> </ul>
OUTLST	Qualified name of member list to which selected entries are copied	<ul style="list-style-type: none"> <li>*NONE: (default) Selected list entries are not copied to an output list</li> <li>QTEMP/TEMPLSTOUT: Default output list name</li> </ul>
OUTLSTOPT	Output list replacement option for the list specified by the OUTLST parameter	<ul style="list-style-type: none"> <li>*REPLACE: (default) Creates a new output list, replacing any previous list's contents</li> <li>*ADD: Add to any existing list's contents</li> </ul>

## YSETBRKPGM (Set Break Program)

This command creates a message queue and sets a break program to serve it. The message queue can then be used to interrupt a job at any time with any request, using the system request menu.

### Syntax Diagram



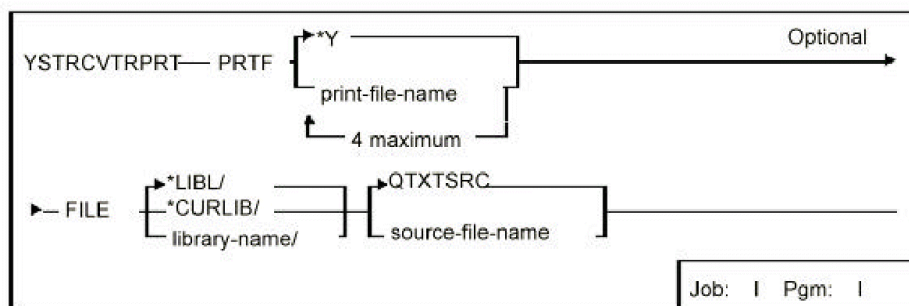
### Parameters

None

## YSTRCVTPRT (Start Convert Print Key Output Mode)

This command starts print output conversion mode. Used in conjunction with the command Convert Print Output (YCVTPRT), this command provides an easy method of obtaining illustrations for documentation and instruction manuals.

## Syntax Diagram



## Parameters

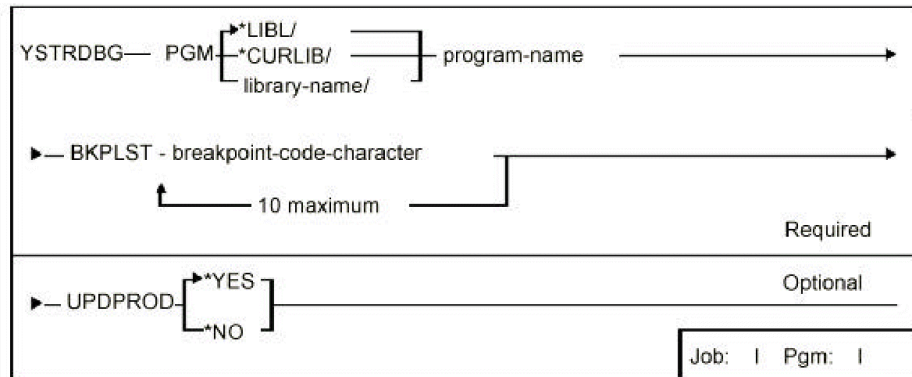
Parameter	Definition	Value and Description
PRTF	List of names of up to four print files receiving print output which is to be converted	*Y: (default) QSYSPRT and YPRTKEY\$ are print file names
FILE	Name of source file to be used as default when subsequently using the YCVTPRT command	*LIBL/QTXTSRC: (default) Source file name

## YSTRDBG (Start Debug and Add Auto Breakpoints)

This command starts debug mode for a specified program, then retrieves and applies break point statements from the source member of the program. Up to ten different sets of breakpoints can be activated in one execution.



## Syntax Diagram



## Parameters

Parameter	Definition	Value and Description
PGM	Qualified name of the debugged program	
BKPLST	A list of character codes which identify the breakpoint sets to be activated	
UPDPROD	Update production files option	<ul style="list-style-type: none"> <li>■ *YES: (default) Data in production libraries can be updated</li> <li>■ *NO: i OS prevents update of data in production libraries</li> </ul>

## YSTRSPLRTR (Start spooled file router)

The Start spooled file router (YSTRSPLRTR) command is used to start a spooled file router job to monitor a specified data queue which has previously been attached to one or more output queues. When spooled files on those output queues reach Ready (RDY) status, the spooled file router processes the spooled file (see below for details).

If this command is called interactively, it submits the spooled file router job to batch, using a job description called YSPLRTRJD. If this command is called in batch, the spooled file router job runs under the submitting job profile.

**Note:** The YSPLRTRJD job description is shipped with this command. You should ensure that it is changed to use a library list that contains all necessary libraries to execute all commands that you specify in the YSPLRTRP file.

The processing that takes place for each spooled file is controlled by the contents of the YSPLRTRP file. Spooled files are compared with records in YSPLRTRP and all matching records on YSPLRTRP (that is, all records on YSPLRTRP where the OUTQ, OUTQLIB, USER, JOB, FILE and USRDTA fields match the spooled file definition and attributes) are processed (see below for processing details) in PRIORITY order.

**Note:** If any of the OUTQ, OUTQLIB, USER, JOB, FILE or USRDTA fields on YSPLRTRP has the value '\*ALL', then that field is assumed to match the equivalent value for the spooled file being processed. Thus a record with all the above fields set to '\*ALL' will be considered to match every spooled file.

**Note:** If a matching record has PRCTYP = 'E' (Exclusive), then after that record has been processed, no further processing is performed on the spooled file. If a matching record has PRCTYP = 'D' (Deleted), then that record is not processed.

## Parameters

Parameter	Definition	Value and Description
-----------	------------	-----------------------

Parameter	Definition	Value and Description
DTAQ	<p>Specifies the data queue to be monitored. This data queue should previously have been created with MAXLEN(128) and SEQ(*FIFO), for example:</p> <pre>CRTDTAQ DTAQ(QGPL/YSPLRTRQ) MAXLEN(128) SEQ(*FIFO)</pre> <p>And have been attached to one or more output queues by using the Create Output Queue (CRTOUTQ) or Change Output Queue (CHGOUTQ) command specifying this data queue on the DTAQ parameter:</p> <pre>CHGOUTQ OUTQ(QGPL/QPRINT) DTAQ(QGPL/YSPLRTRQ)</pre> <p><b>Note:</b> The data queue can have any name, not just YSPLRTRQ, and can be created in any library, not just QGPL, as in the example above. However, a data queue called YSPLRTRQ must be created in QGPL as above, to act as a default data queue for this command.</p> <p>If a data queue is attached to an output queue, an entry will be added to the data queue every time a spooled file reaches Ready (RDY) status on the output queue. It is these entries which are monitored for by the spooled file router.</p> <p><b>Note:</b> A single data queue can be attached to several output queues, or you can create different data queues for different output queues.</p>	

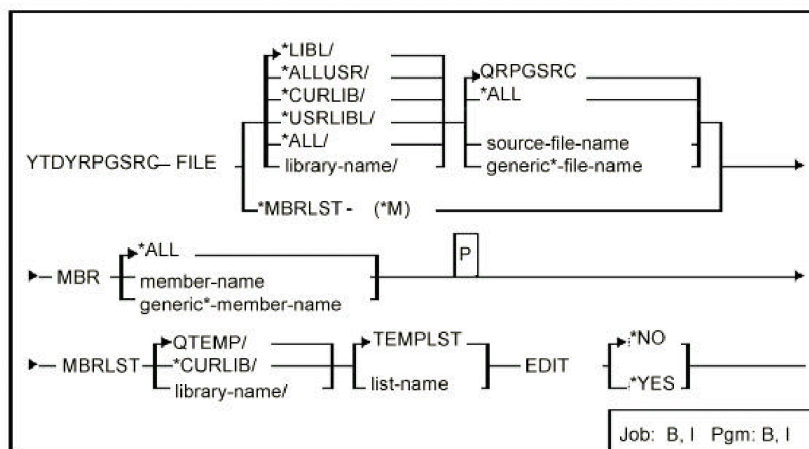
Parameter	Definition	Value and Description
YSPLRTRQ	<p>Use the default spooled router data queue YSPLRTRQ. This data queue must already have been created as above.</p> <p>data-queue-name</p> <p>Enter the name of an existing data queue with the correct attributes (*FIFO, maximum length 128).</p>	<ul style="list-style-type: none"> <li>■ *LIBL (Default): All libraries in the user and system portions of the job's library list are searched until the first match is found for the specified data queue.</li> <li>■ *CURLIB: The current library for the job is used to locate the specified data queue. If no library is specified as the current library for the job, the QGPL library is used.</li> <li>■ library-name: Specify the name of the library to be searched for the specified data queue.</li> <li>■ Errors allowed (ERRLVL): Specifies the maximum number of command errors that are tolerated during the running of the spooled file router. Command errors occur if the router processes an record in YSPLRTRP file and either the command does not exist, the parameters are incorrect or other errors occur (such as authority problems). If this value is greater than 0 (zero) and an error occurs whilst processing a command on a spooled file, but this value has not been reached, the spooled file router will not end, but no further records are processed for that spooled file (although any secondary commands will still be processed).</li> </ul> <p style="text-align: right;">If this value is reached, the spooled file router will end.</p> <ul style="list-style-type: none"> <li>■ *NOMAX (Default): No maximum number of errors is specified, and all command errors are tolerated.</li> <li>■ Number-of-errors: Specify a value that specifies the maximum number of command errors that is tolerated.</li> </ul>

Parameter	Definition	Value and Description
LOG	Specifies whether commands processed for spooled files should be written to the job log of the spooled file router job.	<ul style="list-style-type: none"> <li>■ *NO (Default): Commands are not written to the job log unless an error occurs during the processing of the command, in which case the command is written to the job log following the error message.</li> <li>■ *YES: All commands are written to the job log of the spooled file router job. If an error occurs during the processing of a command, the error message is written to the job log following the command.</li> </ul>

## YTDYRPFSCR (Tidy RPG III Source)

This command tidies up RPG/400 source to make it more readable. The beginning and end of structured programming constructs are labeled.

### Syntax Diagram



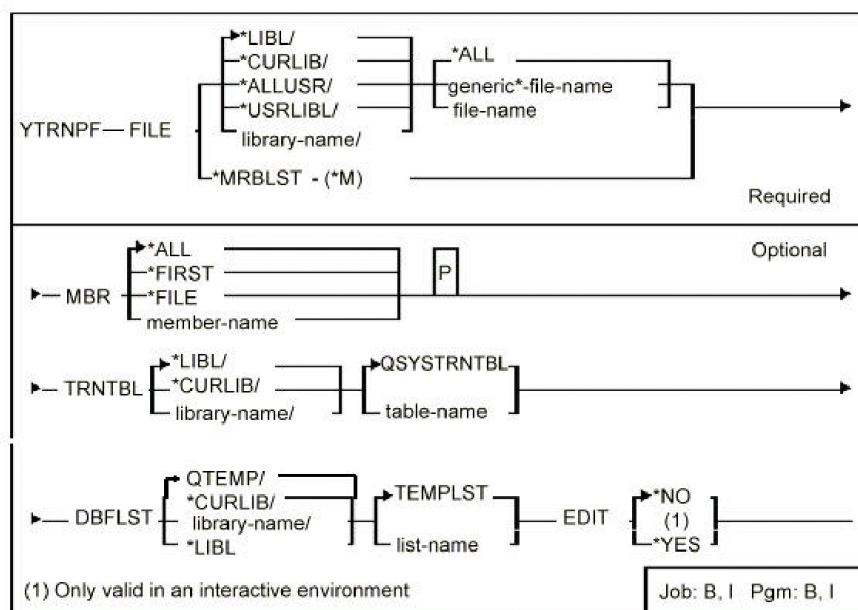
## Parameters

Parameter	Definition	Value and Description
FILE	Qualified generic name of source file containing RPG source members which are to be tidied	<ul style="list-style-type: none"> <li>■ *LIBL/QRPGSRC: (default) File name</li> <li>■ *MBRLST: Use the named member list to obtain source member names.</li> <li>■ *ALL: (default) Tidy all source files</li> </ul>
MBR	Generic name of the members containing the RPG source which is to be tidied	<ul style="list-style-type: none"> <li>■ *ALL: (default) Tidy all members in file</li> </ul>
MBRLST	Qualified name of a member list	<ul style="list-style-type: none"> <li>■ QTEMP/TEMPLST: (default) list name</li> </ul>
EDIT	List option	<ul style="list-style-type: none"> <li>■ *NO: (default) No editing is required</li> <li>■ *YES: Invoke the edit member list function to edit the list before executing the tidy</li> </ul>

## YTRNPF (Translate Physical File Data)

This command translates the alphanumeric data in a physical file member using a specified translation table. The physical file members can be specified generically, or a database file list can be used. Can be used to translate data into upper case, which is necessary for applications to run on ideographic workstations.

## Syntax Diagram



## Parameters

Parameter	Definition	Value and Description
FILE	Qualified generic name of file containing members whose alphanumeric data is to be translated	<ul style="list-style-type: none"> <li>*DBFLST: Translate data in files named in database file list specified with the DBFLST parameter</li> <li>*ALL: Translate all physical files in the specified library</li> </ul>
MBR	Generic name of members containing the data which is to be translated	<ul style="list-style-type: none"> <li>*ALL: (default) Translate data in all members in the specified file or files</li> <li>*FIRST: Translate data in the first member in the specified file or files</li> </ul>
TRNTBL	Qualified name of translation table to be used	<ul style="list-style-type: none"> <li>QSYSTRNTBL: (default) Use the IBM-supplied system translation table</li> </ul>



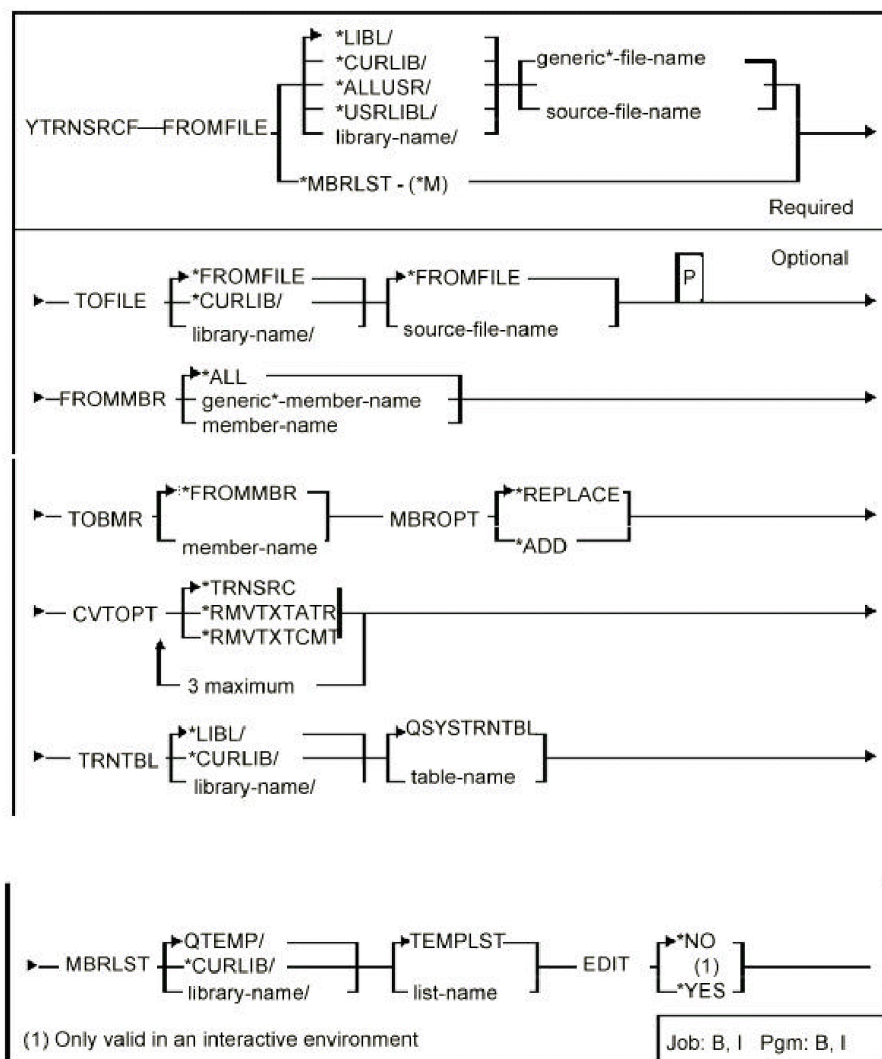
Parameter	Definition	Value and Description
DBFLST	Qualified name of database file list of files whose alphanumeric data is to be translated	<ul style="list-style-type: none"> <li>■ QTEMP/TEMPLST: Default list name.</li> <li>■ Specify FROMFILE(*DBFLST) to use an existing database file list</li> </ul>
EDIT	Edit list required	<ul style="list-style-type: none"> <li>■ *NO: (default) No editing required</li> <li>■ *YES: The edit database file list function will be invoked to edit the list before execution</li> </ul>

■

## YTRNSRCF (Translate Source File Data)

This command translates the data in source file members using a specified translation table. The source file members can be specified generically, or a member list can be used. Can be used to translate source into upper case, which is necessary for applications to run on ideographic workstations.

## Syntax Diagram



## Parameters

Parameter	Definition	Value and Description
FROMFILE	Qualified generic name of file containing source members which are to be translated	<ul style="list-style-type: none"> <li>*MBRLST: Translate members named in member list specified by the MBRLST parameter</li> </ul>

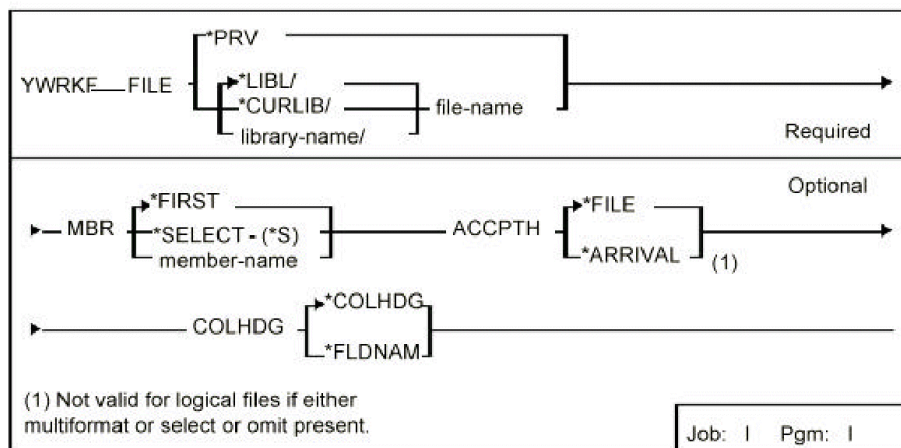
Parameter	Definition	Value and Description
TOFILE	Qualified name of file into which translated source is to be placed	<ul style="list-style-type: none"> <li>■ *FROMFILE: (default) Each member is output to a file of the same name as the file from which it was read</li> </ul>
FROMMBR	Generic name of the members to be translated	<ul style="list-style-type: none"> <li>■ *ALL: (default) Translate all members in the specified file or files</li> </ul>
TOMBR	Name of member in TOFILE	<ul style="list-style-type: none"> <li>■ *FROMMBR: (default) Member name is same as FROMMBR</li> </ul>
MBROPT	Source member update option	<ul style="list-style-type: none"> <li>■ *REPLACE: (default) The translated source replaces any existing source member</li> <li>■ *ADD: The translated source is appended to any existing source member contents</li> </ul>
CVTOPT	Conversion options to use. Up to three values may be specified	<ul style="list-style-type: none"> <li>■ *TRNSRC: (default) Translate data according to table specified by the TRNTBL parameter</li> <li>■ *RMVXTATR: Remove Text Management/38 hidden control information</li> <li>■ *RMVXTCMT: Remove Text Management/38 print control commands which are not generally used by the YDSPHLP program</li> </ul>
TRNTBL	Qualified name of translation table to be used	<ul style="list-style-type: none"> <li>■ QSYSTRNTBL: (default) QSYSTRNTBL i OS translation table, YTRNSRCF use the IBM-supplied system translation table</li> </ul>
MBRLST	Qualified name of member list of members to be translated	<ul style="list-style-type: none"> <li>■ QTEMP/TEMPLST: (default) List name</li> <li>■ Specify FROMFILE(*MBRLST) to use an existing member list</li> </ul>

Parameter	Definition	Value and Description
EDIT	Edit list required	<ul style="list-style-type: none"> <li>■ *NO: (default) No editing required.</li> <li>■ *YES: The edit member list function is invoked to edit the list before execution</li> </ul>

## YWRKF (Work with Database File Data)

This command displays records from a specified database file. Records can be added, updated or deleted. The file can have either an arrival sequence, or a keyed access path that both allow records to be printed.

### Syntax Diagram



## Parameters

Parameter	Definition	Value and Description
FILE	Qualified name of file whose records are displayed and optionally changed. The file may be any database file	<ul style="list-style-type: none"> <li>■ *PRV: The file specified on the previous invocation of YWRKF within the current job is used. Using *PRV gives a substantially quicker response.</li> <li>■ Note that *PRV may be used when looking at a different member within the same file.</li> </ul>
MBR	Member containing data which is to be displayed	<ul style="list-style-type: none"> <li>■ *FIRST: (default) The first member in the file is used.</li> <li>■ *SELECT: Display a list of the members within the specified file - one of which may be selected</li> </ul>
ACCPTH	Access path of file to be used	<ul style="list-style-type: none"> <li>■ *FILE: (default) Indexed files are accessed in key sequence. Arrival sequence files are accessed in record arrival sequence.</li> <li>■ *ARRIVAL: Use arrival sequence path regardless</li> </ul>

Parameter	Definition	Value and Description
COLHDG	Column heading option	<ul style="list-style-type: none"> <li data-bbox="1062 321 1443 516">■ *COLHDG: (default) DDS column headings are used to identify data fields. If a field has no column headings, then the DDS name is used instead</li> <li data-bbox="1062 537 1443 632">■ *FLDNAM: DDS field names are used to identify data fields</li> <li data-bbox="1349 653 1443 2100">■ *NO : For physical file and single- form at logical files, no column headings will be used / all wi ng 15 lin</li> </ul>

Parameter	Definition	Value and Description
CFMPMT	Default Confirm value	■ *N O: W h e n a r e c o r d i s a d d e d, u p d a t e d o r d e l e t e d i n t h e f i l e a n d t h e E n t e r k e y i s p r e s e n t, a c o n f i r m p r o m p t w i l

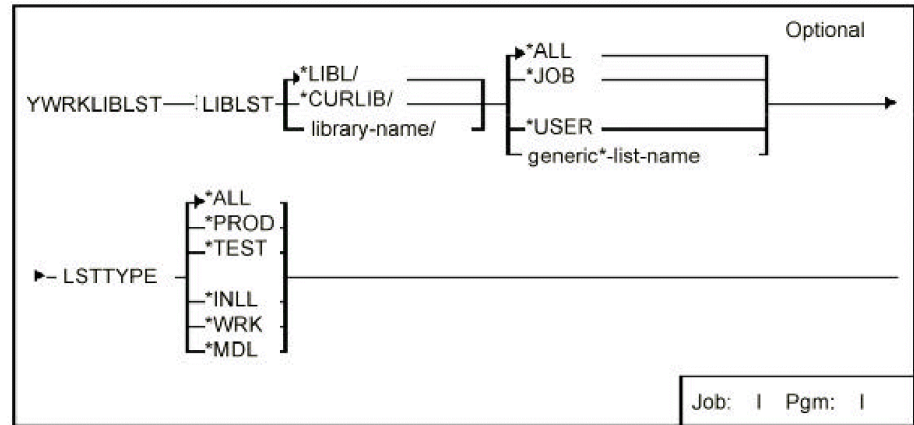
Parameter	Definition	Value and Description
KEYOPT	Key Option	<ul style="list-style-type: none"> <li>■ *N O NE : No ke y op tio ns ar e us ed</li> <li>■ *P R O T E C T: W he n an exi sti ng re co rd is up da te d, th e ke y fie lds ar e pr ot ec te d an d ca nn ot be ch</li> </ul>



## YWRKLIBLST (Work with Library List)

This command calls an interactive program to edit or change a library list or lists.

### Syntax Diagram



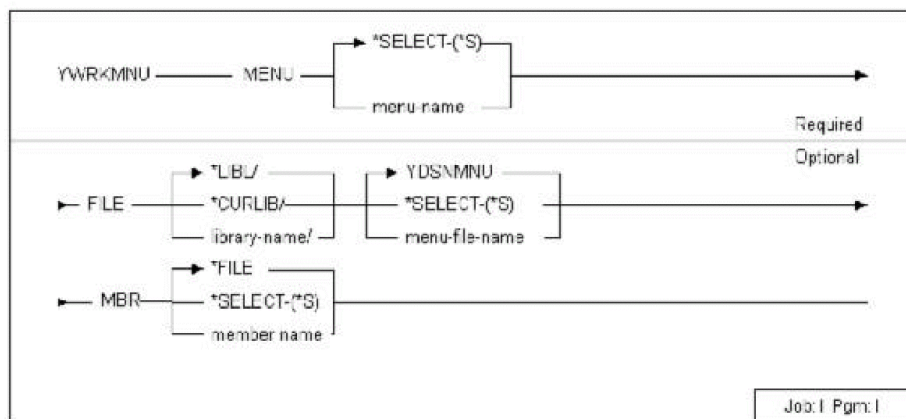
### Parameters

Parameter	Definition	Value and Description
LIBLST	Qualified generic name of library lists	<ul style="list-style-type: none"> <li>■ *ALL: (default) Displays a list of existing lists one or more of which can be selected</li> <li>■ *JOB: Uses a stored library list having the same name as the current job</li> <li>■ *USER: A stored library list having same name as the current job's user profile</li> </ul>
LSTTYPE	Select library list type	<ul style="list-style-type: none"> <li>■ *ALL: (default) Select all library lists</li> </ul>

## YWRKMNU (Work with Menus)

This command calls an interactive program to work with menus.

## Syntax Diagram



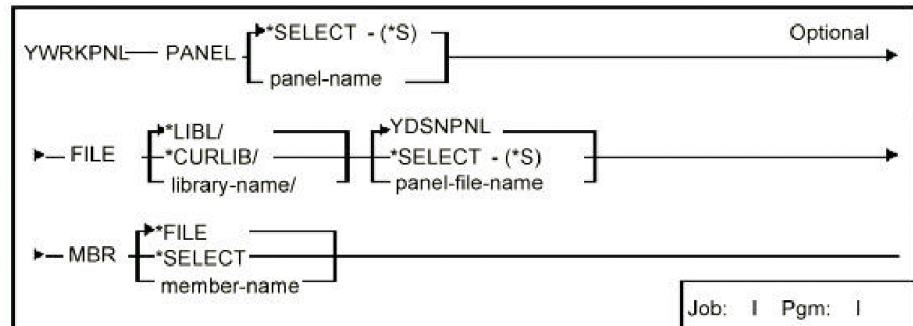
## Parameters

Parameter	Definition	Value and Description
MENU	Name of menu which is to be changed or added	<ul style="list-style-type: none"> <li>■ *SELECT: (default) A list of available menus is displayed. From this display it is possible to edit, copy, rename, delete, or print menus</li> </ul>
FILE	Qualified name of file containing menus	<ul style="list-style-type: none"> <li>■ YDSNMNU: (default) Menu file name</li> <li>■ *SELECT: A list of the available menu files are displayed, one of which may be selected</li> <li>■ Menu files should be created using the command Create Design File (YCRTDSNF)</li> </ul>
MBR	Name of member in file containing menus	<ul style="list-style-type: none"> <li>■ *FILE: (default) Member name is same as file name</li> <li>■ *SELECT: A list of the existing members in the named menu file is displayed, one of which may be selected</li> </ul>

## YWRKPNL (Work with Panel Design)

This command calls an interactive utility to edit a panel design.

### Syntax Diagram



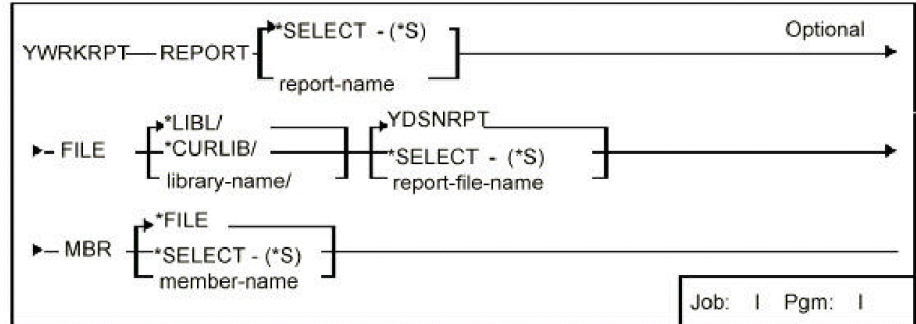
### Parameters

Parameter	Definition	Value and Description
PANEL	Name of panel design which is to be edited	<ul style="list-style-type: none"> <li>■ *SELECT: (default) The panel selection display is presented</li> </ul>
FILE	Qualified name of file containing panel design	<ul style="list-style-type: none"> <li>■ YDSNPNL: (default) Panel file name</li> <li>■ *SELECT: Displays a list of panel design files, one of which can be selected</li> <li>■ File must have been created with the command Create Design File (YCRTDSNF)</li> </ul>
MBR	Name of member in file containing panel design	<ul style="list-style-type: none"> <li>■ *FILE: (default) The member has the same name as the file</li> <li>■ *SELECT: Displays a list of members, one of which can be selected</li> </ul>

## YWRKRPT (Work with Report Design)

This command calls an interactive utility to edit a report design.

## Syntax Diagram



## Parameters

Parameter	Definition	Value and Description
REPORT	Name of report design which is to be edited	<ul style="list-style-type: none"> <li>*SELECT: (default) The report selection display is presented</li> </ul>
FILE	Qualified name of file containing report design	<ul style="list-style-type: none"> <li>YDSNRPT: (default) Report file name.</li> <li>*SELECT: Displays a list of report design file names, one of which can be selected.</li> <li>File must have been created with the command Create Design File (YCRTDSNF)</li> </ul>
MBR	Name of member in file containing report design	<ul style="list-style-type: none"> <li>*FILE: (default) The member has the same name as the file</li> <li>*SELECT: Displays a list of member names, one of which can be selected</li> </ul>

## YWRKSPLRTE (Work with Spooled File Routing Entries)

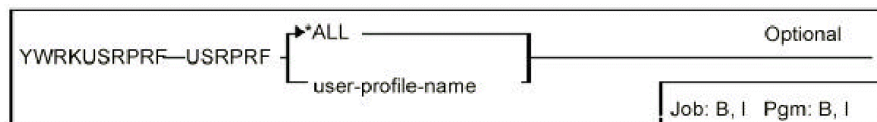
The W/W Spooled File Rtg. Entries (YWRKSPLRTE) command is used to add or change spooled file routing entries. Spooled file routing entries are used by spooled file router jobs to determine how spooled files should be processed.

There are no parameters for this command.

## YWRUSRPRF (Work with User Profile)

This command works with the user profile and displays both the i OS user profile details, and the extension attributes.

### Syntax Diagram



### Parameters

Parameter	Definition	Value and Description
USRPRF	Name of user profile which is to be displayed	*ALL: (default) Display all user profiles



# Appendix A: Expanded Parameter Definitions

---

This appendix contains expanded descriptions of certain parameters which are common to several or many commands.

The CA 2E Toolkit command parameter definitions meet one or both conditions:

- Have extensive information about how they are used
- Used in several commands and it is more efficient to describe them centrally

The list name parameters identify lists of objects, database files, or file members that are created or processed:

- LST
- OBJLST
- MBRLST
- FMTLST
- DBFLST

The list parameter is a qualified name made up of two elements:

- **Name of list:** Must be a valid i OS system name, ten characters long, begin with a letter, and contain no embedded blanks.
- **Name of library containing list:** Must be the name of an existing library, for example YEDTOBJLST OBJLST (QGPL/FRED)

N.B. Lists should not be stored in libraries whose names begin with the letter Q, apart from libraries QTEMP and QGPL.

## LST and LSTTYPE Parameters

The LST parameter identifies the list name and the LSTTYPE parameter is specified to identify the type of list in commands that can process any type of list. For example, to delete an object list called FRED in library QTEMP:

```
YDLTLST LSTTYPE (OBJ) LST (QTEMP/FRED)
```

## OBJLST, MBRLST, FMTLST and DBFLST Parameters

These parameters are used when commands can process only a particular type of list. The list name is specified with one of four list name keywords:

- OBJLST
- MBRLST
- YFMTLST
- DBFLST

For example, to print an object list called FRED in library QTEMP:

```
YD0C0BJLST OBJLST (QTEMP/FRED)
```

When indicating a generic command, indicate the list parameter, and the special value for the object. For example, to change the ownership of all objects in object list FRED:

```
YCHGOBJOWN OBJ (OBJLST) OBJTYPE (ALL) OBJLST (QTEMP/FRED)
```

To compile all members in member list FRED into library GEORGE:

```
YCRTOBJ OBJLIB (GEORGE) SRCFILE (MBRLST) MBR (ALL) MBRLST (QTEMP/FRED)
```

## Default List Names

If no value is specified for the list name parameter, a default value of TEMPLST is used in the QTEMP library. This is a work list in the temporary library QTEMP that is deleted at the end of the job.

## Work Lists

Most generic commands build a work list even if a list is not explicitly named. For instance, the following command results in the creation in QTEMP of a list containing all objects in library QGPL whose names begin with the letters FR:

```
YCHGOBJOWN OBJ (QGPL/FR) OBJTYPE (ALL)
```



## SELECT Value for a List Name

A value of SELECT can be specified instead of a list name in many of the commands that use lists. This provides a display of existing lists. For example:

```
YEDT0BJLST OBJLST (QGPL/SELECT)
```

Lists can have qualified names. For instance, QGPL/FRED fact lists are stored as database file members, but the Object list QGPL/FRED is actually member FRED in file YOBJLST in library QGPL. The database file where a given list is stored has the same format as the output file of the related i OS display command, as shown in the following table:

List Type	Create CMD	DFT file	System related command	Sys output model file	Format name
DBF	YBLDDBFLST	YDBFLST	DSPFD *ATR	QAFDPHY	QWHFDPHY
MBR	YBLDMBRLST	YMBRLST	*PHY	QAFDMBRL	QWHFDML
OBJ	YBLDOBJLST	YOBJLST	DSPFD	QADSPOBJD	QLIDOBJD
FMT	YBLDFMTLST	YFMTLST	*MBRLIST	QAFDRFMT	QWHDFMTQWH
		YDBFLST	DSPOBJD		FDML format
		file	DSPFD*RCDF		member lists
			MTDSPFD i		QWHFDPHY
			OS		format
			command		DBF lists
			DSPOBJD i		
			OS		
			command		

The command Document File (YDOCF) can be used to obtain layouts of the formats of the above files.

## LSTOPT Parameter

In many of the commands that manipulate lists, either an existing list can be added to, or a new list can be created. The list update option (LSTOPT) parameter denotes which. It may have the following values:

- REPLACE: A new list is to be created, replacing any existing list of the same name in the specified library.
- ADD: If a list of the same name and type already exists in the specified library it will be added to. If the list does not exist an error message is sent. Entries that already exist in the target list are not added or replaced.

The LSTOPT parameter can be used to build up lists from a number of sources, and to merge lists. For instance, the following two commands would result in a list of all programs in QGPL whose names begin with either AB or CD:

```
YBLD0BJLST OBJ (QGPL/AB) OBJTYPE (PGM) LSTOPT (REPLACE)
```

```
YBLD0BJLST OBJ (QGPL/CD) OBJTYPE (PGM) LSTOPT (ADD)
```

## OUTLST Parameter

The OUTLST parameter allows the creation of a second list from a primary list. On such commands you will specify the name of the list to receive the output using an OUTLST parameter.

The OUTLSTOPT parameter specifies the list update action for the output list, that is, whether an existing list should be added to, or a new list should be created. It takes the same values as the list update option (LSTOPT) parameter: REPLACE or ADD. ADD will not add or replace existing entries in the target list.

Commands with OUTLST parameters include the following:

CA 2E Toolkit Command	Output List Parameter	Rqd/Opt	Default Value	Output List Option
YFLTOBJLSTYFLTM	OUTLST	Opt	*NONE *NONE	OUTLSTOPT
BRLST	OUTLST	Opt	*NONE *NONE	OUTLSTOPT
YCHKLSTE	OUTLST	Opt	*NONE	OUTLSTOPT
YSCNSRC	OUTLST	Opt	*NONE	OUTLSTOPT
YOPRLST	TOLST	Opt	*LSTA	LSTOPT
YOPYLST	TOLST	Rqd	*FROMLST	LSTOPT
YCVTOBJLST	MBRLST	Rqd	TEMPLST	LSTOPT
YCVTDBFLST	MBRLST	Rqd	TEMPLST	LSTOPT

## FLAGVAL, OUTFLAGVAL, and UPDLST Parameters

The FLAGVAL parameter controls which items in a list are processed. When a list command is executed with the FLAGVAL parameter specified, only those items with the specified value in the flag field are processed. The others are ignored.

The FLAGVAL parameter is a simple list made up of two terms:

- Relational operator: (EQ/NE) To specify whether the associated flag value is or is not to be selected.
- Flag value: Value upon which to select

A single value of ANY is allowed for the FLAGVAL parameter.

Examples:

- Select all items with a flag value other than F:

YFLTOBJLST FLAGVAL (NE FAIL)

- Process all items with a flag value of U:

YEXCOBJLST FLAGVAL (EQ 'U')

- Process all items:

YEXCOBJLST FLAGVAL (ANY)

The following table lists special flag values with equivalent flag values.

Special Value	Flag Storage Value
BLANK	"
ON	'Y'
NULL	'0', '1'
FAILOBJ	'O'
FAILMBR	'M'
FAIL	'F'
SUBMITTED	'S'
PRESENT	neither '1' nor '0'

**Note:** Values are stored in the century byte field as set by i OS DSPxxx commands with OUTFILE specified; therefore both 0 and 1 are valid values for \*NULL. When NULL is specified as FLAGVAL, items with either 0 or 1 are selected.

## OUTFLAGVAL Parameter

The OUTFLAGVAL parameter is used to specify a flag value to be given to the items in a list to indicate the result of processing the item. The UPDLST parameter controls the flagged items. The OUTFLAGVAL may be either a single character variable, or one of the values shown in the table above.

Examples:

- Set flag on all missing items to F (FAIL)

YCHKLSTE OUTFLAGVAL (FAIL) UPDLST (FLAGERR)

- Set flag on all items in an object list to Y (ON)

YFLTOBJLST OUTFLAGVAL (ON) UPDLST (FLAGOK)

Some commands allow the entry of more than one value for the UPDLST parameter.

## UPDLST Parameter

If errors occur when processing one or more items in a list, you may want to re-process just the items for which errors occurred, or continue processing just those items for which errors did not occur. The UPDLST parameter provides a convenient way of achieving this: the parameter can be used to delete from the list the items that have been processed successfully. Alternatively it can be used to delete from the list the items for which errors occurred. The UPDLST parameter may have one the following values:

- NONE: Do not change list items for which errors occurred.
- FLAGERR: Flag only those list items for which errors occurred.
- FLAGOK: Flag only those list items for which no errors occurred.
- RMVERR: Remove list items for which errors occurred.
- RMVOK: Remove list items for which no errors occurred.

The flag value used if UPDLST (FLAGERR) or UPDLST (FLAGOK) is specified is determined by the OUTFLAGVAL parameter.

The following table shows the effect of the UPDLST values on the entries in a list:

Value	PASS	FAIL
NONE	Leave No Chg	Leave No Chg

Value	PASS	FAIL
RMVERR	Leave	Remove
RMVOK	Remove	Leave
FLAGERR	No Chg	Flag
FLAGOK	Flag	No Chg

With commands that support both input and output lists, the action specified by the UPDLST parameter is always applied to the output list.

## BUILD and EDIT Parameters

Using a list will often be a several step process:

1. Build a list.
2. Edit the list.
3. Filter the list.
4. Execute the list.

Many list commands contain a facility to invoke more than one list processing function at a time, without having to re-enter the list name. The linking is done using the BUILD, EDIT, and FILTER parameters. For instance:

Using the Command Edit Object List (YEDTOBJLST) you could specify a value of BUILD (YES), you will then be prompted for the selection criteria that you wish to use to build the list. The list will be built and immediately presented for editing. Thus:

```
YEDTOBJLST OBJLST (QGPL/FRED) BUILD (YES)
```

is equivalent to:

```
YBLDOBJLST OBJLST (QGPL/FRED) /* build */
YEDTOBJLST OBJLST (QGPL/FRED) /* edit */
```

Using the command Create Objects (YCRTOBJ) you could specify a value of EDIT (YES), you will then be given the opportunity to edit the list of members before they are submitted for compilation. Thus:

```
YCRTOBJ OBJLIB (QGPL) SRCFILE (QGPL/QCLSRC) OBJLST (QGPL/FRED) EDIT (YES)
```

is equivalent to:

```
YBLDMBRLST SRCFILE (QGPL/QCLSRC) MBRLST (QGPL/FRED) /*build*/
YEDTMBRLST      MBRLST (QGPL/FRED) /*edit */
YCRTOBJ OBJLIB (QGPL) SRCFILE(MBRLIST) MBRLST(QGPL/FRED) /* use */
```

## RQSDTA, USROPT, OPTFIL and OPTMBR Parameters

The commands Execute List YEXCOBJLST, YEXCMBRLST, and YEXCDBFLST invoke a specified request string upon a list of items. The request string is specified with the RQSDTA parameter, in one of two ways:

The request string may be specified explicitly:

```
YEXCOBJLST RQSDTA ('CHGPGM &L/&O')
```

Reference may be made to a predefined request string stored in a user-defined option file in which case a value of \*USROPT should be specified for the RQSDTA parameter, and the actual request string indicated using the USROPT, OPTFIL and OPTMBR parameters.

```
YEXCOBJLST RQSDTA (USROPT) USROPT ('A1') OPTFIL(MYOPT)
```

Alternatively, the contents of a user-defined option can be substituted into the request string by means of the substitution symbol @C.

### User Option QAUOOPT File

The user-defined option file should have the same format as the i OS QAUOOPT user-defined option file. New options can conveniently be added using the i OS PDM utility (STRPDM).

## Substitution Symbols

The request data is executed for each item in the list. You can specify where in the request string you wish to have the item names, and other properties of the list entries, inserted by using the following substitution symbols:

---

YEXCOBJLST	YEXCDBFLST	YEXCMBRLST
------------	------------	------------

---

		YEXCOBJLST	YEXCDBFLST	YEXCMBRLST
&A	Item attribute	Object attr	File attr	SEU type
&B	List type	Y	Y	Y
&C	User option	Y	Y	Y
&D	Last change date	Object date	File date	Member date
&F	File name	-	File name	File name
&O	Object name	Y	-	-
&J	Job description	Y	Y	Y
&L	name	Object lib	File lib	File lib
&M	Library name	-	-	Member name
&N	Member name	Object name	File name	Member name
&S	List entry name	Y	-	-
&T	Short type (OBJ)	Y	-	-
&X	Full type (*OBJ)	Object text	File text	Member text
	Object text			

The following alternative special substitution values are also supported. They can be used when invoking the command prompter upon your request string (the command prompter does not allow names beginning with &).

```
YEXCOBJLST RQSDTA ( '?DSP0BJD OBJ(@L/@O) OBJTYPE(@T) ' )
```

		YEXCOBJLST	YEXCDBFLST	YEXCMBRLST
@@O	Object name	Object name	-	-
@F	File name	-	File	File
@M	Member name	-	-	Member
@L	Library name	Object lib.	File lib.	File lib.
@T	Object name	Object type		
@C	User option	Y	Y	Y

## Internationalization of Special Substitution Symbols

If the @ character is not available on your keyboard you may either key the equivalent hex value (X'7C'), or else specify an alternative character with the YPEXCHA data area. For example, to specify # as an alternative substitution value (that is. '#O', '#L' '#T')

```
CHGDTAARA DTAARA (YPEXCHA) VALUE ('#')
```

## MENU Parameter

The MENU parameter identifies a menu held in a menu file. Menu names must always be valid system names, that is: be up to ten characters long, begin with a letter, (or @ or #), and contain no embedded blanks. Menu names must be unique within a member. In many commands a special value of SELECT is allowed for the menu name. Specifying this value gives you a selection display of available menus.

```
YWRKMNU MENU (SELECT)
```

Menus must be stored in one or more menu files: a menu file is a database file having the same format as the file YDSNMNU in the utility library. The command Create Design File (YCRTDSNF) should be used to create any additional copies of the menu file required, as it will create a file of the correct format. A default copy of the menu, YDSNMNU is shipped with CA 2E.

## Referring to Menus

Menus can be referred to simply by name, in which case the default menu file YDSNMNU is used:

```
YGO MENU (FRED)
```

Alternatively references to menus can be qualified by file name, in which case the override file name specified by the FILE parameter is used:

```
YGO MENU (FRED) FILE (MYMENUS)
```

## PANEL Parameter

The PANEL parameter identifies a panel design held in a design file. Panel names must always be valid system names, that is, be up to ten characters long, begin with a letter, (or @ or #), and contain no embedded blanks. Panel names must be unique within a member. In many commands a special value of '\*SELECT' is allowed for the panel name specifying this value will give you a selection display of available panel designs.

```
YWRKPNL PANEL (*SELECT)
```

Panel design files must have a specific format. The command Create Design File (YCRTDSNF) should be used to create any additional copies of the panel file that you require; it will create a file of the correct format, as well as the necessary logical view.

A default copy of the panel design file, YDSNPNL is shipped.



## Referring to Panel Designs

Panel designs can be referred to simply by name, in which case the default panel design file YDSNPNL is used:

```
YDSPPNL PANEL (FRED)
```

Alternatively, references to panel designs may be qualified by file name, in which case the override file name specified by the FILE parameter is used:

```
YDSPPNL PANEL (FRED) FILE (MYPANELS)
```

## REPORT Parameter

The REPORT parameter identifies a report design held in a CA 2E report design file. Report names must always be valid system names, that is, be up to ten characters long, begin with a letter, (or @ or #), and contain no embedded blanks. Report names must be unique within a member.

In many commands a special value of \*SELECT is allowed for the report name: specifying this value will give you a selection display of available report designs.

Report design files must have a specific format (in fact the report design file is a logical file spanning three different physical files). The command Create Design File command (YCRTDSNF) should be used to create any additional copies of the report file that you require; it creates a file of the correct format, as well as the necessary logical views.

## Referring to Report Designs

Report designs can be referred to simply by name, in which case the default report design file YDSNRPT is used:

```
YWRKRPT REPORT (FRED)
```

Alternatively, references to report designs may be qualified by file name, in which case the override file name specified by the FILE parameter is used:

```
YWRKRPT REPORT (FRED) FILE (MYREPORTS)
```

## CHGPRTDFT Parameter

The change print default parameter (CHGPRTDFT) allows you to change the print file attributes of the output files generated by certain of the documentation commands.

One of three values may be specified for the parameter:

- SAME: The print file attributes are not to be changed.
- TEMP: The print file attributes are to be changed just for the current execution of the command.
- PERM: The print file attributes are to be changed permanently.

Values of TEMP and PERM are only valid in an interactive environment. If TEMP or PERM is specified, you will be prompted to supply override attributes. Refer to the i OS commands Override Print File (OVRPRTF) and Change Print File (CHGPRTF) for details on print file attribute values.

# Appendix B: Required Application Objects

---

This appendix describes how to obtain a list of objects required to display menus and help text.

## Obtain Required Object Lists

You can obtain a list of objects required to display menus and help text by doing the following from an i OS command line or CL program:

```
YBLDJ0BLST Y1USR0BJ FILE OBJLST (Y1USR0BJ) CPYF FROM FILE(Y1USR0BJ)
TOFILE(QTEMP/Y0BJLST)
FROMMBR(*ALL) TOMBR(*FROMMBR) MBROPT(*AD) FMTOPT(*MAP)
YBLDMBRLST QTEMP/Y0BJLST
YFLTMBRLST MBR (Y1)
YEXCMBRLST RQDTA ('YD0C0BJLST QTEMP/@N)
```

This obtains files listing the objects and a set of object lists used in conjunction with the Create Duplicate Objects command to create the objects.

If you are running a generated application, you can use the YDUPAPPOBJ command to duplicate objects required for menus and help.



# Appendix C: Long Running Commands

---

This appendix names the long running commands used with CA 2E Toolkit.

Long running commands are listed in the following table. Be sure to use these commands with caution because they may require a large amount of system resources to run. A severity (1 is high) is shown against each command.

Command	Severity
YCHGCMD	3
YCHGOBJOWN	3
YCMPSRC	2
YCPYF	2
YCRTDUPOBJ	2
YCRTOBJ	3
YCVTDBR	2
YCVTPGMREF	2
YCVTUSRPRF	1
YDOCAUT	2
YDOCEXCREP	1
YDOCF	2
YDOCFDREF	2
YDOCMGREF	2
YDOCPGM	1
YDOCPGMREF	2
YDSPDBR	2
YDSPMBRLST	2
YMOVIM	2
YMOVOBJ	3
YMOVOBJSRC	2
YRTVMSGF	1
YRTVPLDSN	1
YRTVRPTDSN	1
YSCNSRC	2
YSCNRPLSRC	2
YWRKF	3



# Appendix D: Monitored Error Messages

---

This appendix lists some of the escape messages which may be generated by the commands. Where possible, make use of the appropriate existing standard i OS messages.

The messages are listed with command; the commands are listed in alphabetical order. The following information is given for each message if applicable:

- Message identifier
- Message type (E – Escape)
- Message text

All execution messages definitions are in a single message file: YYYYMSG in the utility library.

## Commands Using a Database File List

Commands using a database file list generate the following messages:

YDL0001 E Database file list &1 not found

YYY0005 E SELECT option only valid for interactive jobs

YYY0103 E List &1 in &2 does not contain any entries.

## Commands Using a Member List

Commands using a member list generate the following messages:

YML0001 E Member list &1 not found

YYY0005 E SELECT option only valid for interactive jobs

YYY0103 E List &1 in &2 does not contain any entries

## Commands Using an CA 2E Object List

Commands using a CA 2E Toolkit object list generate the following messages:

YOL0001 E Object list &1 not found

YOL0021 E IF OBJLST specified for OBJ, OBJTYPE must be ALL.

YYY0005 E SELECT option only valid for interactive jobs

YYY0103 E List &1 in &2 does not contain any entries

## YADDDSNFM

Messages generated by YADDDSNFM include the following:

YDS0010 E Member required when option is ADDMBR

YDS0012 E Text required when option is ADDMBR

## YBLDLIBLST

YBLDLIBLST generates the following message:

YLL0011 E IF job description name specified for JOBID, LIBL must be JOBID

## YWRKF

YWRKF generates the following message:

YPR0034 E File PRV not established

## YCHGOBJOWN

YCHGOBJOWN generates the following message:

YPG0001 E Ownership of &2 objects changed to &1. &3 not changed



## YCHKLSTE

YCHKLSTE generates the following message:

YYY0103 E List &1 in &2 does not contain any entries.

## YCHKLIBLST (And All CA 2E Library List Commands)

Messages generated by YCHKLIBLST (and all CA 2E Library List commands) include the following:

YLL0001 E Library list &1 in &2 not found

YLL0003 E Library list file &1 in &2 not found

YLL0007 E No selection made - command cancelled by user

YLL0014 E Library list &1 in &2 already exists

YLL0027 E SELECT not allowed unless interactive job

## YCHKMNU (And All CA 2E Menu Commands)

Messages generated by YCHKMNU (and all CA 2E Toolkit Menu commands) include the following:

YMN0011 E Specified menu not found

YMN0012 E Specified menu already exists

## YCHKPNL (And All CA 2E Panel Design Commands)

Messages generated by YCHKPNL (and all CA 2E Toolkit Panel Design commands) include the following:

YDS0002 E Specified file is not a Panel file

YDS0004 E Specified Panel not found

YDS0005 E Specified Panel already exists

## YCHKRPT (And All CA 2E Report Design Commands)

Messages generated by YCHKRPT (and all CA 2E Toolkit report design commands) include the following:

YDS0103 E Specified file is not a report file

YDS0104 E Specified report not found

YDS0105 E Specified report already exists

## YCPYLIBLST

Messages generated by YCPYLIBLST include the following:

YLL0001 E Library list &1 in &2 not found

YLL0014 E Library list &1 in &2 already exists

YLL0031 E FROMLIBLST must not be the same as TOLIBLST

## YCPYF

Messages generated by YCPYF include the following:

YPG0051 E If FROMLIB is same as TOLIB, FROMPFX must not equal TOPFX

YPG0052 E &2 files copied to &1 &3 not copied.

YPG0056 E LST cannot be specified for both FROMLIB and TOLIB.

YPG0057 E IF FROMLIB (LIBL) specified, TOLIB (FROMLIB) is not allowed.

YPR0031 E QTEMP not allowed for TOLIB.

## YCRTDSNF

Messages generated by YCRTDSNF include the following:

YDS0013 E Library required when option is CREATE.

YDS0018 E LIBL not allowed if file or member name left blank.

## YCRTDUPOBJ

Messages generated by YCRTDUPOBJ include the following:

YLL0023 E If FROMLIB (OBLST) specified, OBJ (FROMLST) must also be specified.

YPR0051 E YCRTDUPOBJ command cannot duplicate to library & 1.

YPR0055 E & 1 errors occurred when duplicating objects to & 2.

YPR0057 E Errors occurred while duplicating & 1 in & 2 to library & 3.

## YCRTOBJ

YCRTOBJ generates the following message:

YYY7405 E & 2 errors occurred on compilation of group & 3.

## YDLTOBJ

YDLTOBJ generates the following message:

YPG0053 E & 1 objects deleted. & 2 objects not deleted.

## YEXCDBFLST

Messages generated by YEXCDBFLST include the following:

YDL0008 C Database file list executed, & 1 errors found.

YDL0009 E ERRVL exceeded on YEXCDBFLST for list & 1 in & 2

## YEXCMBRLST

Messages generated by YEXCMBRLST include the following:

YML0008 C Member list executed, & 1 errors found.

YML0009 E ERRVL exceeded on YEXCMBRLST for list & 1 in & 2

## YEXCOBJLST

Messages generated by YEXCOBJLST include the following:

YOL0008 C Object list executed, &1 errors found.

YOL0009 E ERRlvl exceeded on YEXCOBJLST for list &1 in &2

## YMOVOBJ

Messages generated by YMOVOBJ include the following:

YLB0002 E Archive library must not be the same as To/from library.

YLB0003 E NONE may not be specified for both TOLIBOBJ and TOLIBDTA.

YPR0011 E &1 moved=&2, added=&3, replaced = &4, failed moves = &5.

## YMOVM

Messages generated by YMOVM include the following:

YLB0001 E From and To libraries must not be the same

YLB0002 E Archive library must not be the same as To/from library

YPR0011 E &1 moved=&2, added=&3, replaced=&4, failed moves=&5

YMOVOBJSRC (May also send YMOVOBJ and YMOVM messages)

YPR0005 E TOLIB required when referenced from other parameters

YPR0011 E &1 moved=&2, added=&3, replaced=&4, failed moves=&5

YPR0025 Errors occurred on moving objects and or source

## YxxxLLE

Messages generated by YxxxLLE include the following:

YLL0003 E Library list file &1 in &2 not found

YYY1215 E &6 errors occurred when updating lists. &5 lists updated, &7 lists ignored



# Appendix E: Command and Keyword Abbreviations

---

This appendix contains an alphabetic list of all the abbreviations used in the AllFusion 2E command names and their parameter keywords, that are additional to the i OS standards. For the i OS standards see Appendix F in the *IBM i OS Programmer's Handbook*.

Command and keyword abbreviations include the following:

- ABR - Abbreviated
- BLD - Build
- FLT - Filter
- INX - Index
- LL - Library list
- SCN - Scan
- TDY – Tidy





# Index

---

## A

abbreviated command names • 22  
abbreviations • 415  
Add Design File Member (YADDDSNFM) • 23  
Add Help Vector Table (YADDHLPTBL) • 27  
Add Library List Entry (YADDLLE) • 29  
Add Member List (YADDMLE) • 32  
Add Object List Entry (YADDOLE) • 33  
Add Source Member (YADDSRCM) • 35  
AllFusion 2E • 21, 22  
Apply Data Changes (YAPYY1DCHG) • 36

## B

BUILD and EDIT • 397  
Build Database File List (YBLDDBFLST) • 37  
Build Format List (YBLDFMTLST) • 40  
Build Library List (YBLDLIBLST) • 42  
Build Master Document (YBLDDOC) • 39  
Build Member List (YBLDMBRLST) • 46  
Build Object List (YBLDOBJLST) • 49

## C

calling AllFusion 2E commands • 21  
Change Command (YCHGCMND) • 51  
Change Job Description Library List (YCHGJOBDDL) • 56  
Change Library List (YCHGLIBL) • 57  
Change Library List Description (YCHGLIBLST) • 58  
Change List (YCHGLST) • 61, 65  
Change Object Ownership (YCHGOBJOWN) • 65  
Change User Profile (YCHGUSRPRF) • 69  
Check IFS Object (YCHKIFSOBJ) • 84  
Check Library List (YCHKLIBLST) • 87  
Check List Entries (YCHKLSTE) • 89  
Check Menu (YCHKMNU) • 96  
Check New Password (YCHKPWDVAL) • 98  
Check Panel Design (YCHKPNL) • 97  
Check Report Design (YCHKRPT) • 99  
Check System Name Is Valid (YCHKVN) • 101  
CHGPRTDFT • 402  
Compare Source (YCMPSRC) • 101  
Convert Authorization List (YCVTAUTL) • 163  
Convert Binary to Decimal (YCVTBIN) • 165  
Convert Database Relations (YCVTDDBR) • 167

Convert DBF List to Member List (YCVTDBFLST) • 165  
Convert DDS Command Keys (YCVTDDSCKY) • 168  
Convert DDS to IGC (YCVTDDSIGC) • 171  
Convert Decimal To Binary (YCVTDEC) • 173  
Convert Object List to Member List (YCVTOBJLST) • 173  
Convert Print Output To Source Member (YCVTPRT) • 178  
Convert Program References (YCVTPGMREF) • 174  
Convert User Profile (YCVTUSRPRF) • 189  
Copy Files (YCPYF) • 107  
Copy Library List (YCPYLIBLST) • 111  
Copy List (YCPYLST) • 112  
Copy Menu (YCPYMNU) • 113  
Copy Message Description (YCPYMSGD) • 116  
Copy Panel Design (YCPYPNL) • 118  
Copy Report Design (YCPYRPT) • 120  
Copy User Profile (YCPYUSRPRF) • 122  
Create DDS From Panel Design (YCRTPNLDDS) • 140  
Create DDS from Report Design (YCRTRPTDDS) • 143  
Create Design File (YCRTDSNF) • 124  
Create Duplicate Objects (YCRTDUPOBJ) • 125  
Create Objects (YCRTOBJ) • 129  
Create Source Files (YCRTSRCPF) • 146  
Create User Profile (YCRTUSRPRF) • 148

## D

data object commands • 21  
QWHFDPHY format • 393  
default list names • 392  
Define Panel Design (YDFNPNLDSN) • 191  
Delete Library List (YDLTLIBLST) • 192  
Delete Library List (YDLTLST) • 192  
Delete Menu (YDLTMNU) • 193  
Delete Object (YDLTOBJ) • 194  
Delete Panel Design (YDLTPNL) • 196  
Delete Report Design (YDLTRPT) • 197  
Delete User Profile (YDLTUSRPRF) • 197  
Design default data areas (YEDTSSNDFT) • 250  
Display a Program's Message Queue (YDSPGMQ) • 247  
Display Abbreviated (YDSPABR) • 235  
Display Expiry Date (YDSPEXPDAT) • 241  
Display Help Text (YDSPHLP) • 241  
Display Library List (YDSPLIBLST) • 244

---

Display Member (YDSPMBRLST) • 245  
Display Panel Design (YDSPPNL) • 247  
Display User Profile (YDSPUSRPRF) • 249  
Document DBF List (YDOCDBFLST) • 200  
Document Execution References (YDOCEXCREP) • 201  
Document Field References (YDOCFLDREF) • 207  
Document File (YDOCF) • 204  
Document Format List (YDOCFMTLST) • 208  
Document Library (YDOCLIBLST) • 209  
Document Member List (YDOCMBRLST) • 210  
Document Menu (YDOCMNU) • 211  
Document Menu References (YDOCMNUREF) • 213  
Document Object Authorities (YDOCAUT) • 199  
Document Object List (YDOCOBJLST) • 219  
Document Panel Design (YDOCPNL) • 226  
Document Program (YDOCPGM) • 221  
Document Program References (YDOCPGMREF) • 223  
Document Report Design (YDOCRPT) • 229  
Document Source File Members (YDOCSRC) • 231  
Document User Profile (YDOCUSRPRF) • 234  
documentation • 19, 20  
DSPFD OS/400 command • 393  
DSPOBJD OS/400 command • 393

## E

Edit Command Key Table (YEDTCKYTBL) • 249  
Edit Data Area (YEDTDTAARA) • 251  
Edit DBF List (YEDTDBFLST) • 250  
Edit Format List (YEDTFMTLST) • 252  
Edit Group Data Area (YEDTGDA) • 253  
Edit Library List (YEDTLIBLST) • 254  
Edit Local Data Area (YEDTLDA) • 254  
Edit Member List (YEDTMBRLST) • 255  
Edit Message Description (YEDTMSGD) • 256  
Edit Object List (YEDTOBJLST) • 256  
Edit Password Values (YEDTPWDVAL) • 257  
End Spooled File Router (YENDSPLRTR) • 258  
Execute CL Member (YEXCCL) • 259  
Execute Database File List (YEXCDBFLST) • 260  
Execute Member List (YEXCMBRLST) • 266  
Execute Object List (YEXCOBJLST) • 271

## F

Filter Database List (YFLTDBFLST) • 275  
Filter Format List (YFLTFMTLST) • 280  
Filter Member List (YFLTMBRLST) • 283

Filter Object List (YFLTOBJLST) • 290  
FLAGVAL, OUTFLAGVAL, and UPDLST • 395

## G

Go to Menu (YGO) • 300  
Grant Product Authority (YGRTPRDAUT) • 304

## I

Index List (YINXLST) • 305  
internationalization of • 399

## L

long running commands • 405  
LST and LSTTYPE • 391  
LSTOPT • 394  
LSTOPT parameter • 394

## M

QWHFDML format • 393  
MENU • 400  
modules • 21  
Move List (YMOVLST) • 306  
Move Member (YMOVM) • 307  
Move Objects & Source (YMOV OBJSRC) • 315  
Move Objects (YMOV OBJ) • 311  
Move User Data Objects (YMVY1DTA) • 321

## O

object names • 22  
OBJLST, MBRLST, FMTLST and DBFLST • 392  
Operate on List (YOPRLST) • 322  
OUTFLAGVAL • 396  
OUTLSOUTLST and OUTLSTOPT • 394

## P

PANEL • 400  
parameters • 391, 392, 394, 395, 396, 397, 398, 400, 401, 402  
presentation standards • 20

## R

referring to menus • 400  
referring to Panel Designs • 401  
referring to Report Designs • 401  
Remove Library List Entry (YRMVLE) • 325  
Remove Member (YRMVM) • 327  
Rename an Object and Source (YRNMOBJSRC) • 332

---

Rename Library (YRNMLIB) • 328  
Rename Library List (YRNMLIBLST) • 329  
Rename Library List Entry (YRNMLLE) • 330  
Rename Menu (YRNMMNU) • 331  
Rename Panel Design (YRNMPNL) • 333  
Rename Report Design (YRNMRPT) • 334  
Rename User Profile (YRNMUSRPRF) • 335  
REPORT • 401  
required application objects • 403  
Restart Spooled File Router (YRSTSPLRTR) • 337  
Retrieve Message File (YRTVMSGF) • 338  
Retrieve Object Library (YRTVOBJLIB) • 341  
Retrieve Panel Design (YRTVPNLDSN) • 342  
Retrieve Report Design (YRTVRPTDSN) • 344  
Retrieve Spooled File Attributes (YRTVSPLFA) • 345  
Retrieve User Profile (YRTVUSRPF) • 346  
RQSDTA, USROPT, OPTFIL and OPTMBR • 398

## S

Scan Source Member (YSCNSRC) • 359  
Scan/Replace Source Member (YSCNRPLSRC) • 355  
SELECT Value for a List Name • 393  
Set Break Program (YSETBRKPGM) • 367  
Start Convert Print Key Output Mode (YSTRCVTPRT)  
• 367  
Start Debug and Add Auto Breakpoints (YSTRDBG) •  
368  
Start spooled file router (YSTRSPLRTR) • 370  
substitution symbols • 398, 399

## T

Tidy RPG III Source (YTDYRPFSCR) • 374  
Translate Physical File Data (YTRNPF) • 375  
Translate Source File Data (YTRNSRCF) • 377

## U

UPDLST • 396  
User Option QAUOOPT File • 398  
Exception message queue • 74

## W

work lists • 392  
Work with Database File Data (YWRKF) • 380  
Work with Library List (YWRKLIBLST) • 385  
Work with Menus (YWRKMNU) • 385  
Work with Panel Design (YWRKPNLU) • 387  
Work with Report Design (YWRKRPT) • 387

Work with Spooled File Routing Entries  
(YWRKSPLRTE ) • 388  
Work with User Profile (YWRUSRPRF) • 389

## Y

QRPLOBJ OS/400 library • 132  
YDBFLST file • 393